

GRUNDFOS®



ALLDOS

DATA SHEET

Chemical Dosing Pumps

Primus



Primus M208



Primus M221

Grundfos Alldos chemical dosage pumps are high specification products designed for dosing a wide range of chemicals in general water treatment and industrial process applications. All feature precise mechanical diaphragm operation fully adjustable to maximum output, the resulting smooth action providing assured dosage accuracy and quiet operation.

All pumps feature corrosion resistant PVC for the pump bodies and dosing heads, Viton diaphragms and glass ball valves. Other materials for special applications are available on request. They are also supplied with complete installation accessories including foot valve with strainer, injector valve, 1.5m PVC suction hose and 5m PVC delivery hose.

Primus M208

The Primus M208 models are rugged general purpose pumps suitable for a wide range of dosage tasks. Fitted with reliable integral synchronous motors, the direct cam drive diaphragm spindle is infinitely adjustable to provide dosage rates from 10 to 100% of the rated output. Pumps are also fitted with a bleed screw in the dosage head for priming.

Primus M221

Primus M221 models are larger capacity heavy duty high specification pumps fitted with AC motors and provided with advanced gear drive to the diaphragm spindle to provide smooth, low-pulsating dosage. Simple and accurate flow adjustment by means of an external knob is provided which allows variable dosage rates from 10 to 100% of the rated flow.

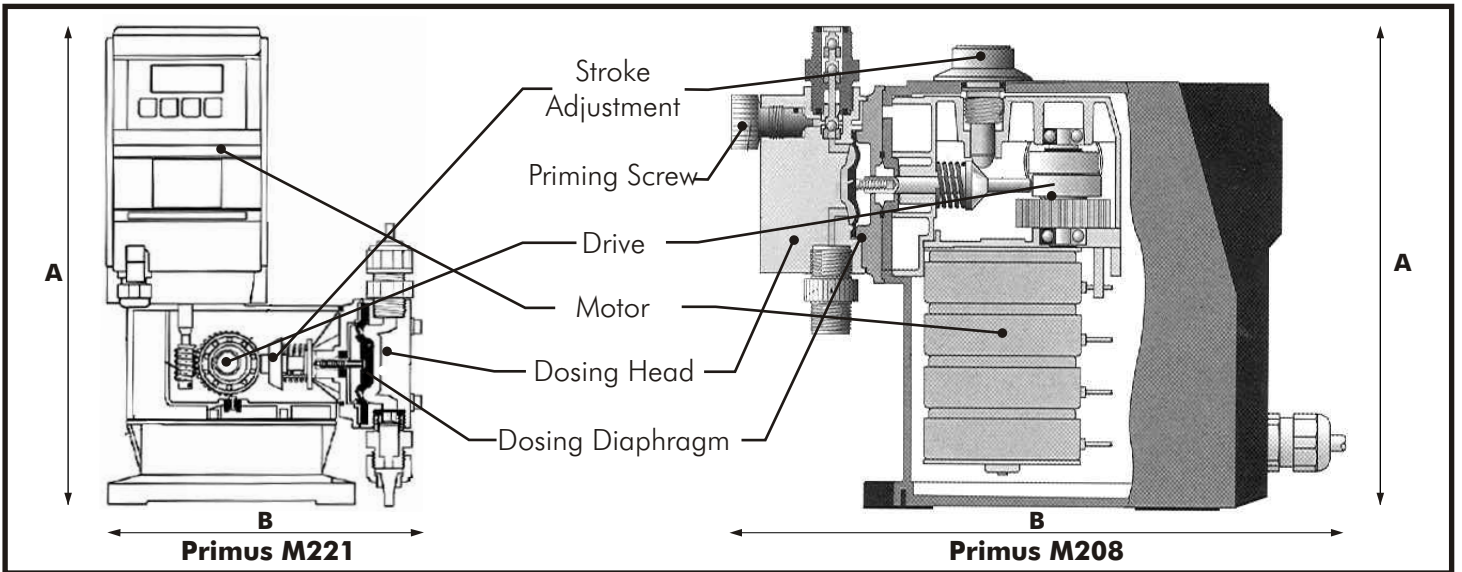
PUMP PERFORMANCE AND SPECIFICATIONS

Model	Max Flow (l/hr)	Max Pressure (Bar)	V Stroke (cc)	Motor Size (w)	Dimensions (mm)			Weight (Kgs)
					A	B	Width	
M208-3	5	6	0.7	22	176	225	120	3
M208-18	18	3.6	3.0	22	185	250	120	3
M221-50	50	10	6.9	90	319	275	190	10
M221-115	115	3	16.0	90	330	330	190	12

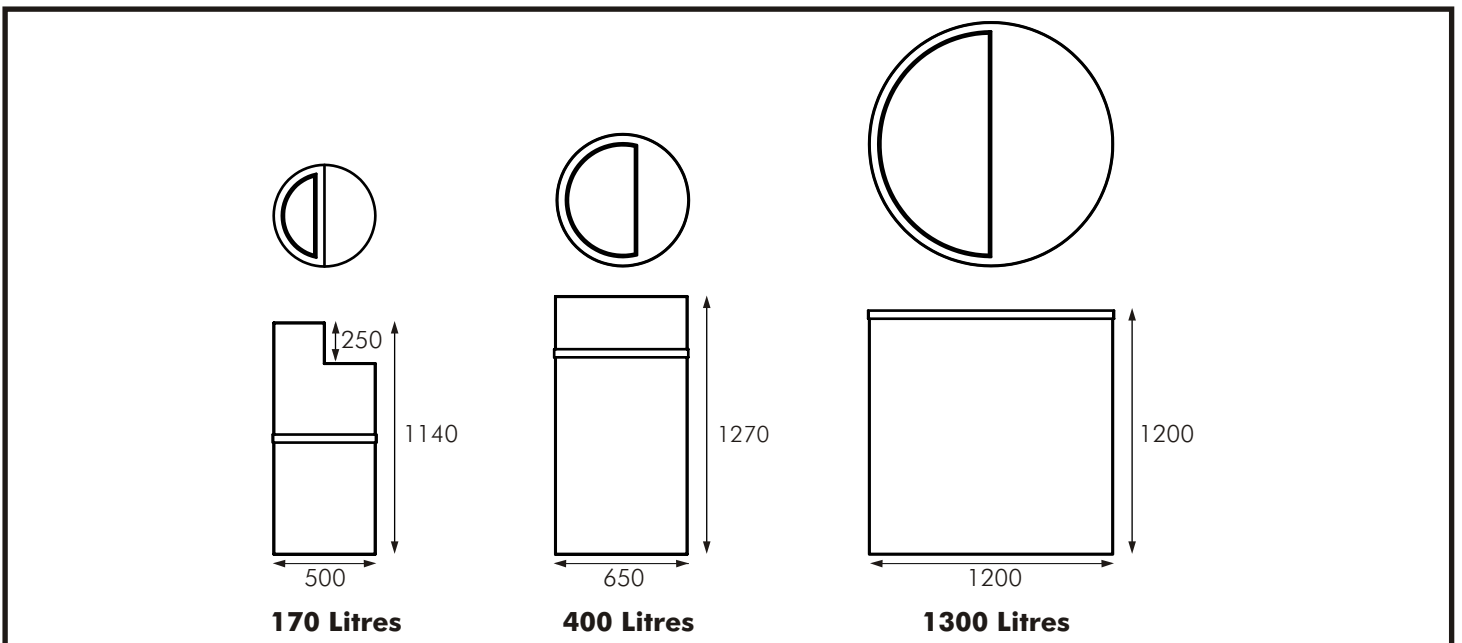
OPERATIONAL LIMITS

Flow Accuracy: ±1.5%
Max Suction Lift: 5m
Max Ambient Temperature: 40°C
Protection Level: 1P65

PUMP FEATURES AND DIMENSIONS



CHEMICAL TANKS



NB. Contents herein are not warranted. The right is reserved to amend specifications without notice.

DT99A - O4/07

AVAILABLE FROM

DAVIS & SHIRLIFF

 know H₂O_w through experience

www.dayliff.com

KENYA

NAIROBI - HEAD OFFICE
 TEL: (254 20) 558335, 536901, FAX: 557617
 d&s@dayliff.com
WESTLANDS
 TEL: (254 20) 4446011, 4446016, FAX: 4442568
 westlands@dayliff.com
ELDOROT
 TEL: (254 53) 2061306, FAX: 2062335
 d&s@eld.dayliff.com
KISUMU
 TEL: (254 57) 2024763, FAX: 2023103
 d&s@ksm.dayliff.com

MOMBASA

TEL: (254 41) 2490861, 2492626, FAX: 2490868
 d&s@msa.dayliff.com
NAKURU
 TEL: (254 51) 2213146, 2213248, FAX: 2212956
 d&s@nkr.dayliff.com
UGANDA
KAMPALA
 TEL: (256 41) 346337/8, FAX: 346335
 d&s@ug.dayliff.com

TANZANIA

DAR ES SALAAM
 TEL: (255 22) 2112515/6, FAX: 2112513
 office@tz.dayliff.com
ARUSHA
 TEL: (255 25) 2502517/8, FAX: 2502516
 office@ars.tz.dayliff.com
ZANZIBAR
 TEL: (255 24) 2234660/1, FAX: 2234664
 office@znz.tz.dayliff.com

ZAMBIA

LUSAKA
 TEL: (260 1) 288010/11, FAX: (01) 288010
 lusaka@zm.dayliff.com
KITWE
 TEL: (260 2) 221747, TEL/FAX: 221767
 kitwe@zm.dayliff.com
RWANDA
KIGALI
 TEL: (250) 504033/9
 sales@dayliff.co.rw