

# DAYLIFF

'CX' GRP

PRESSURE FILTERS



DEEP BED

STANDARD BED

The DAYLIFF 'CX' filter range of industrial specification filters have been specially developed for institutional and commercial applications where higher levels of operating performance and reliability are demanded. Their design combines leading filter technology with many years of GRP production experience and the result is a range of quality products suitable for both swimming pools and general water treatment uses. Features include: -

- Wide range of four diameters with deep bed options in 600 and 900 sizes for specialised water treatment applications.
- All plastic non-corroding construction throughout including an exceptionally strong GRP filter body making 'CX' filters especially suitable for corrosive and aggressive waters.
- Heavy duty bolted GRP access cover secured by twelve stainless steel studs with 200mm aperture providing ease of access for media charging and removal. Deep bed models also feature a low-level side mounted cover to facilitate media removal and general internal maintenance.
- Wide 100mm bottom outlet for filter drainage and media removal (CX 750 and 900 models).
- Option of simple to use multiport valves or manifold mounted 'Novasfer' full way ball valves for simplified flow control.
- Automatic air-bleed system.
- High efficiency internal flow arrangement to ensure even filtration and effective backwash flows.

For swimming pools applications DAYLIFF 'CX' filters can be used either individually or, for large water volumes, by combining a number of units in parallel. Design and selection advice is available for individual installations. Also, a wide range of pumps is available, each carefully matched to suit the filter selected and provide optimal filtration performance.

For water treatment applications DAYLIFF 'CX' filters are suitable for various medias including silica sand for sediment removal with the 'Deep Bed' models being particularly suitable for activated carbon for taste, odour and chlorine removal, activated alumina for fluoride removal and anion resin for softening.

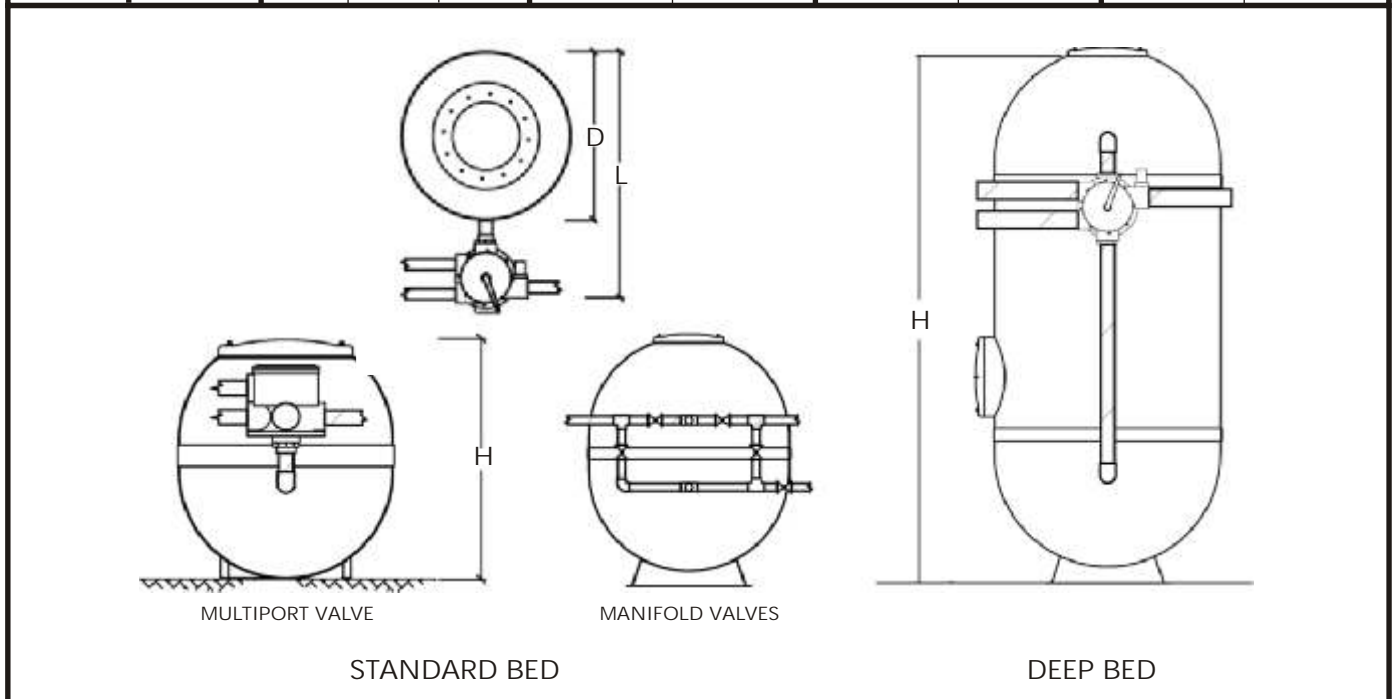
DAYLIFF 'CX' filter are quality high performance products specially designed to meet the demands of the most arduous operating conditions. The combination of highly effective filtration performance with exceptional levels of reliability and durability gives the peace of mind so important for all industrial and commercial filtering applications.

## OPERATING PARAMETERS

Model	Water Treatment Applications		Swimming Pool Applications				
	Rated Flow (m <sup>3</sup> /hr)**		Rated Flow (m <sup>3</sup> /hr) *		Pool Volume (m <sup>3</sup> for given turnover period)		
	Maximum	Standard	Maximum	Operating	4hr	6hr	8hr
CX500	7	4	10	8	32	48	64
CX600	10	6	14	11	44	66	88
CX800	15	9	22	18	72	108	144
CX900	22	13	32	26	104	156	208

## DIMENSIONS & WEIGHTS

Model	Filter Area(m <sup>2</sup> )	Dimensions (mm)			Outlet Sizes		Weights (Kgs)***		Pressure(Bar)	
		H	D	L	MPV	STD	Nett	Gross	Test	Operating
CX500	0.20	610	520	840	1.5"	1.25"	22	130	4.5	3.0
CX600	0.28	760	620	930	1.5"	1.5"	28	220	4.5	3.0
CXD600	0.28	2000	620	680	1.5"	1.5"	65	850	4.0	2.5
CX800	0.44	1090	770	1170	2"	2"	43	400	4.5	3.0
CX900	0.64	1170	925	1325	2"	2"	58	680	4.5	3.0
CXD900	0.64	2150	925	1500	2"	2"	100	1800	4.0	2.5



### Notes

- \* For swimming pool applications Maximum Rated flow is based upon a filter velocity of 50m/hr and Operating Rated flow of 40m<sup>3</sup>/hr. Suggested pool volumes are based upon the recommended Operating flow. For larger pool volumes use multiples of the given performance data to specify the number of filters required.
- \*\* For water treatment applications Maximum Rated Flow is based upon a filter velocity of 35m/hr and Standard Rated Flow of 20 m<sup>3</sup>/hr, though it is important that the appropriate flow rate is selected for each particular treatment process.
- \*\*\* Nett Weight is the empty filter shell only. Gross weight includes sand media and water. Weights may be different for other media.

NB. Contents herein are not warranted. The right is reserved to amend specifications without notice.

AVAILABLE FROM

APL22A-05/05



#### KENYA

NAIROBI - HEAD OFFICE  
TEL: (254 20) 558335, 536901, FAX: 557617  
d&s@dayliff.com

WESTLANDS  
TEL: (254 20) 4446011, 4446016, FAX: 4442568  
westlands@dayliff.com

ELDORET  
TEL: (254 53) 2061306, FAX: 2062335  
d&s@eld.dayliff.com

KISUMU  
TEL: (254 57) 2024763, FAX: 2023103  
d&s@ksm.dayliff.com  
MOMBASA  
TEL: (254 41) 2490861, 2492626, FAX: 2490868  
d&s@msa.dayliff.com

#### UGANDA

KAMPALA  
TEL: (6 41) 346337/8, FAX: 346335  
d&s@ug.dayliff.com

#### TANZANIA

DAR ES SALAAM  
TEL: (255 22) 2112515/6, FAX: 2112513  
office@tzdayliff.com

ARUSHA  
TEL: (255 25) 2502517/8, FAX: 2502516  
noah.ars@tzdayliff.com

#### ZAMBIA

LUSAKA  
TEL: (260 1) 288010/11, FAX: (01) 288010  
d&s@zm.dayliff.com

KITWE  
TEL: (260 2) 221747, TEL/FAX: 221767  
kitwe@zm.dayliff.com

#### RWANDA

KIGALI  
TEL: (250) 504033/9  
sales@dayliff.co.rw

[www.dayliff.com](http://www.dayliff.com)