

# DAYLIFF

## 'DX' SERIES

## COMMERCIAL FILTERS



The DAYLIFF 'DX' filter range is a comprehensive selection of swimming pool filters suitable for both domestic and light institutional pool applications. Combining the latest filtration technology with nearly twenty years of production experience the range offers outstanding reliability, longevity, performance and value. Five models in different sizes are available, all providing the following features:-

- Elegant moulded filter bodies of non-corroding GRP construction for strength and indefinite life.
- Simple to use flange connected six-position multiport valves with union connections. The flange arrangement greatly simplifies installation and media replacement as well as providing a secure watertight seal.
- Specially designed internal collector laterals providing maximum filtration and backwashing efficiency and minimal media loss.
- High-grade silica sand media for exceptional filtration performance.

It must be remembered that the most important aspect of a pool's appearance is the quality of its water. The key to this is efficient filtration and a pool's filter is the one piece of equipment where compromise does not pay. DAYLIFF 'DX' filters are quality products which have been carefully designed to combine the highest standards of performance with outstanding reliability and ease of operation. With a DAYLIFF filter clean, sparkling water is assured at all times.

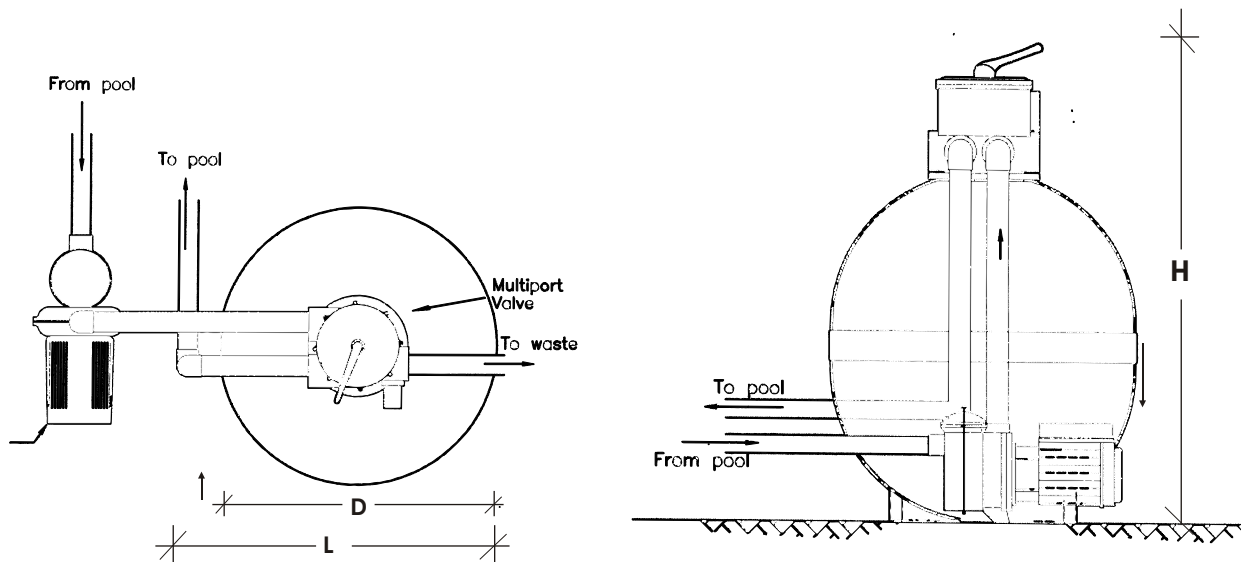
**OPERATING PARAMETERS**

Model	Rated Flow (m <sup>3</sup> )	Pump Options				Pool Capacity (Litres)			Recommended Piping Size	
		Davey	HP	Quality	HP	Light Use	Normal Use	Heavy Use	Suction	Delivery
DX500	10	XB100	0.8	QP3	0.8	100,000	80,000	60,000	1.5"	1.5"
DX600	14	XB200	1.1	QP4	1.0	140,000	115,000	85,000	2"	1.5"
DX750	22	XB300	1.5	QP6	1.5	220,000	180,000	130,000	2.5"	2"
DX800	25	PM350	1.6	QP8	2.0	250,000	200,000	150,000	2.5"	2"
DX900	32	PM450	2.4	-	-	300,000	240,000	180,000	3"	2.5"

**DIMENSIONS & WEIGHTS**

Model	Filter Area (m <sup>2</sup> )	Dimensions (mm)		MPV Valve Size	Pressure (Bar)		Weights (Kgs)	
		H	D		Test	Working	Nett	Gross*
DX500	0.20	830	520	1 1/2"	3	2	13	170
DX600	0.28	980	620	1 1/2"	3	2	15	250
DX750	0.44	1060	770	1 1/2"	3	2	21	420
DX800	0.44	1280	770	2"	3.5	2.5	25	525
DX900	0.64	1400	925	2"	3.5	2.5	32	820

\* Includes media and water



NB. Contents herein are not warranted. The right is reserved to amend specifications without notice.

AVAILABLE FROM

APL21A-09/04



**KENYA**

**NAIROBI - HEAD OFFICE**  
 DUNDORI RD  
 P O BOX 41762, 00100 GPO  
 TEL: (254 20) 558335, 536901, FAX: 557617  
 d&s@dayliff.com

**THE POOL SHOP**

CENTRO HSE, RING RD WESTLANDS  
 P O BOX 41762, 00100 GPO  
 TEL: (254 20) 4446011, 4446016, FAX: 4442568  
 poolshop@dayliff.com

**ELDORET**

UGANDA RD, ELDOTUNE BLD, P O BOX 4776  
 TEL: (254 53) 61306, FAX: 62335  
 d&s@eld.dayliff.com

**KISUMU**

OBOTE RD, P O BOX 4690,  
 TEL: (254 57) 44537/8, FAX: 23103  
 d&s@ksm.dayliff.com

**MOMBASA**

JOMO KENYATTA AVENUE P O BOX 82438,  
 TEL: (254 41) 490861, 492626, 490136, FAX: 490868  
 d&s@msa.dayliff.com

**UGANDA**

**KAMPALA**  
 JINJA RD, P O BOX 22824  
 TEL: (6 41) 346337/8, FAX: 346335,  
 d&s@ug.dayliff.com

**TANZANIA**

**DAR ES SALAAM**  
 GEREZANI RD, P O BOX 10725  
 TEL: (7 22) 2112515/6, FAX: 2112513  
 office@tdzdayliff.com

**ZAMBIA**

**LUSAKA**  
 LUMUMBA RD, P O BOX 112 F/W  
 Tel: (01) 288010/11, Fax: (01) 288010  
 d&s@zm.dayliff.com

**RWANDA**

**KIGALI**  
 MUHIMA ROAD, BP 7039  
 Tel: (250) 08755381  
 hmuchiri@mail.com

[www.dayliff.com](http://www.dayliff.com)