

# ELEMAX

MADE IN JAPAN

## DATA SHEET

## Portable Generators SH SERIES



SH



SH-EX

The ELEMAX range of portable generators are dependable, quality products specially designed for mains standby and remote site power supply applications.

Particular features include:

- Reliable and economical Honda OHV petrol engines equipped with large size exhausts and air cleaners for low noise operation.
- High efficiency square core brushless AVR alternators providing increased power output and enabling operation of sensitive electronic equipment.
- Integrated control panels for operational convenience
- Strong tubular frame for protection and ease of handling
- Fuseless type over current protection
- Oil alert system to stop engine in the event of low oil level.

The generators are available in two basic specifications - Standard and EX. EX models have an improved specification including a large capacity fuel tank for extended operation, 12V DC output facility for battery charging and control panels incorporating a voltmeter.

The combination of Honda reliability and ELEMAX expertise result in generators of exceptional performance and value. With the added benefits of compact design and advanced features there is no better product available for all small scale power supply requirements.

## SPECIFICATIONS

Model	Output			Engine			Fuel Tank Capacity (Litres)	Operating Period (Hrs)	Starter
	AC(kVA)		DC	Model	Capacity (cc)	Rated Power (HP)			
	Rated	Max							
SH2900	2.0	2.4	N/A	GX160	163	3.5	3.6	3.3	Recoil
SH3200EX	2.2	2.6	12V-8.3A	GX160	163	3.5	17	14	Recoil
SH6000	4.0	5.5	N/A	GX340	337	7.2	6.5	2.8	Recoil
SH6500EX	5.0	5.8	12V-8.3A	GX340	337	7.2	28	11	Recoil
SH7600EX	5.6	6.5	12V-8.3A	GX390	389	8.5	28	8.5	Electric
SH11000EX	8.5	9.5	12V-8.3A	GX620	614	20	26	4.5	Electric

## ELECTRICAL DATA

**Alternator:** Brushless, self exciting, 2 pole

**Power Output:** 50Hz, 240V, single phase

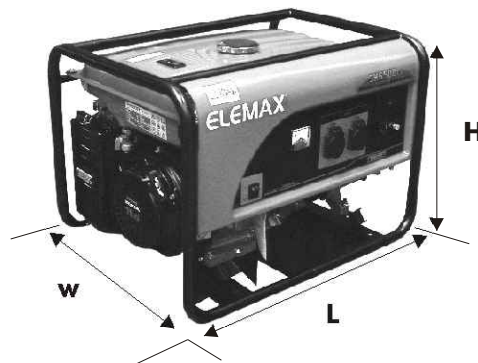
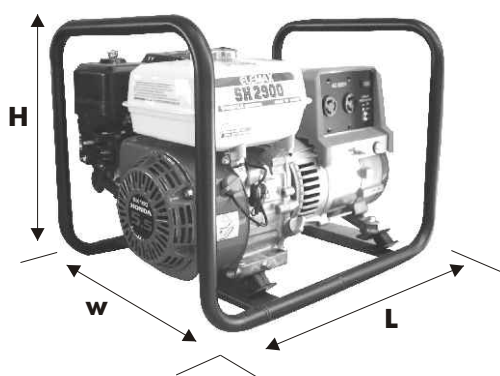
**Voltage Regulator:** Condenser type

**Power Factor:** 1.0

**Speed:** 3000rpm

## DIMENSIONS AND WEIGHTS

Model	L	W	H	Weight (kg)
SH2900	560	420	420	34
SH3200EX	655	440	490	44
SH6000	655	510	490	65
SH6500EX	710	550	495	75
SH7600EX	710	550	495	78
SH11000EX	950	620	620	180



All dimensions in mm

- 1) Electrical outputs are rated in standard conditions of sea level altitude, 25°C and 30% humidity. Outputs should be derated for operating conditions, notably 3% per 300m for higher altitudes.
- 2) Rated engine power outputs are at 3000rpm.
- 3) Battery is not included with electric start models.

NB. Contents herein are not warranted. The right is reserved to amend specifications without notice.

EN71E-03/07

AVAILABLE FROM

**D&S DAVIS & SHIRTLIFF**  
know H<sub>2</sub>Ow through experience  
[www.dayliff.com](http://www.dayliff.com)

### KENYA

**NAIROBI - HEAD OFFICE**  
TEL: (254 20) 558335, 536901, FAX: 557617  
d&s@dayliff.com  
**WESTLANDS**  
TEL: (254 20) 4446011, 4446016, FAX: 4442568  
westlands@dayliff.com  
**ELDORET**  
TEL: (254 53) 2061306, FAX: 2062335  
d&s@eld.dayliff.com  
**KISUMU**  
TEL: (254 57) 2024763, FAX: 2023103  
d&s@ksm.dayliff.com

### MOMBASA

TEL: (254 41) 2490861, 2492626, FAX: 2490868  
d&s@msa.dayliff.com

### NAKURU

TEL: (254 51) 2213146, 2213248, FAX: 2212956  
d&s@nkr.dayliff.com

### UGANDA

**KAMPALA**  
TEL: (256 41) 346337/8, FAX: 346335  
d&s@ug.dayliff.com

### TANZANIA

**DAR ES SALAAM**  
TEL: (255 22) 2112515/6, FAX: 2112513  
office@tz.dayliff.com

### ARUSHA

TEL: (255 25) 2502517/8, FAX: 2502516  
office@ars.tz.dayliff.com

### ZANZIBAR

TEL: (255 24) 2234660/1, FAX: 2234664  
office@znz.tz.dayliff.com

### ZAMBIA

**LUSAKA**  
TEL: (260 1) 288010/11, FAX: (01) 288010  
lusaka@zm.dayliff.com

### KITWE

TEL: (260 2) 221747, TEL/FAX: 221767  
kitwe@zm.dayliff.com

### RWANDA

**KIGALI**  
TEL: (250) 504033/9  
sales@dayliff.co.rw