



**'FC' STEEL**

**PRESSURE FILTERS**



**STANDARD BED**



**DEEP BED**

The DAYLIFF 'FC' range of pressure sand filters are proven and reliable designs for general water treatment and swimming pool applications. They are available in standard capacities up to 170m<sup>3</sup>/hr, though greater capacities can be provided by the installation of a number of filters in parallel. Features include:-

- A selection of eight standard models available in different diameters, the smaller diameters being supplied in standard and deep bed configurations.
- Mild steel plate construction with domed ends for enhanced pressure capacity with optional heavier gauge steel plate being offered for high-pressure applications. Stainless steel is also available for specialised food grade installations.
- Suitable for various medias including silica sand for sediment removal activated carbon for taste, odour and chlorine removal, activated carbon for fluoride removal and anion resin for softening.
- 400mm diameter wide range bolted access cover for easy media charging and removal. Deep bed filters also feature a low-level side cover to facilitate media removal and general internal maintenance.
- Standard internal bitumised coating for corrosion protection and long life. A GRP lining is optional for aggressive liquids.
- High efficiency internal distribution and collection manifolds to ensure even filtration throughout the filter area and effective backwash flows.
- The option of 'Novasfer' ball type manifold mounted valves or 'Midas' single lever multi-port (up to 2") control valve arrangements.

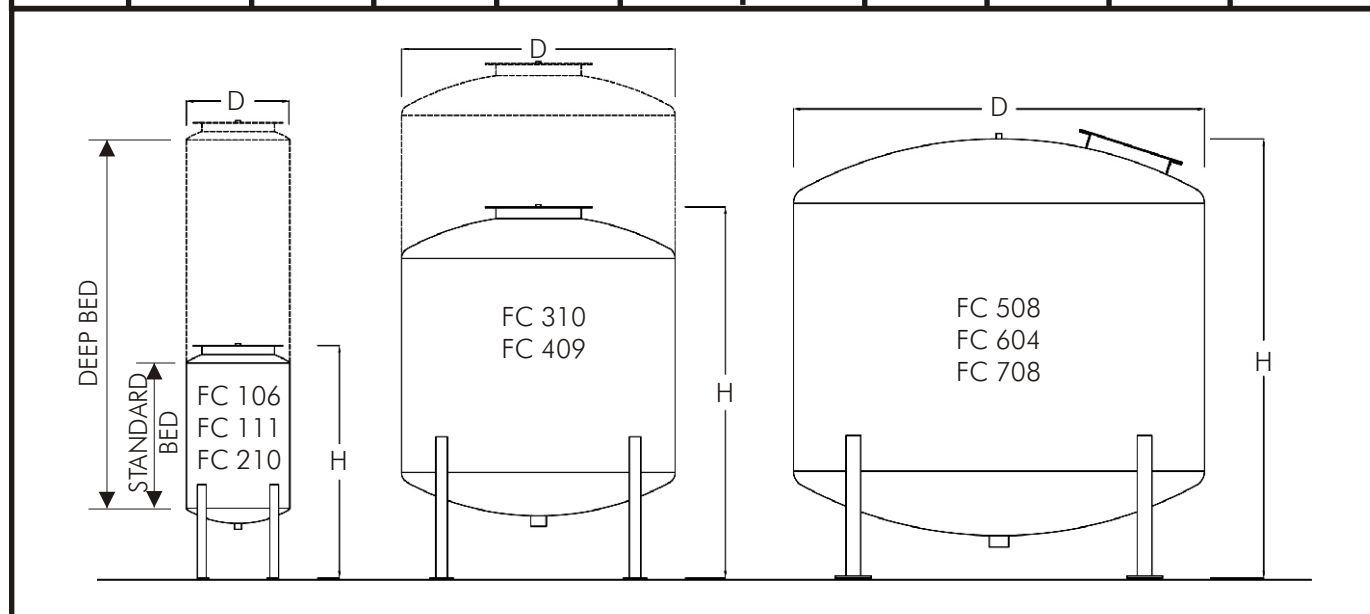
Multiple connection installation options are available including series connection for increased filtration performance and parallel connection for high flow rates.

For the successful application of pressure sand filters it is important to match media and flow rate to the quality of the incoming water. Technical advice is available on correct specifications for individual applications.

The DAYLIFF range of pressure filters are established products which have been progressively upgraded over many years of production. They are robust, reliable and effective and offer the ideal solution for a wide range of water treatment requirements.

## SPECIFICATIONS & DIMENSIONS

Model	D (mm)	H (mm)	Filter Area (m <sup>2</sup> )	Inlet & Outlet size	Pressure <sup>1</sup> (Atm)		Capacities <sup>2</sup> (m <sup>3</sup> /hr)		Cylinder Weight (Kgs)	
					Working	Test	Std	Max	Empty	Operating <sup>1</sup>
FC 106S FC 106D	450	1000 1900	0.16	1"	4.0	5.5	3	6	35 70	200 450
FC 111S FC 111D	575	1000 1900	0.26	1 1/4"	4.0	5.5	5	10	50 90	300 700
FC 210S FC 210D	875	1050 1950	0.6	1 1/2"	4.0	5.5	12	24	80 150	660 1600
FC 310S FC 310D	1150	1575 2175	1.0	2"	4.0	5.5	20	40	220 300	1700 2800
FC 409S FC 409D	1450	1600 2200	1.7	2 1/2"	4.0	5.5	34	68	300 400	2700 4400
FC 508	1725	1950	2.3	3"	3.5	5	46	92	450	5000
FC 604	1925	2025	2.9	4"	3.5	5	58	116	700	6500
FC 708	2300	2075	4.2	4"	3.5	5	84	170	950	9000



1. Standard filter specification. Greater pressure capacities are available if required.
2. Maximum capacity is rated at 40m/hr and standard capacity at 20m/hr filtration velocities.
3. Operating weight includes media and water.

NB. Contents herein are not warranted. The right is reserved to amend specifications without notice.

AVAILABLE FROM

AW15A-05/05



### KENYA

**NAIROBI - HEAD OFFICE**  
DUNDORI RD  
P O BOX 41762, 00100 GPO  
TEL: (254 20) 558335, 536901, FAX: 557617  
d&s@dayliff.com

### THE POOL SHOP

CENTRO HSE, RING RD WESTLANDS  
P O BOX 41762, 00100 GPO  
TEL: (254 20) 4446011, 4446016, FAX: 4442568  
poolshop@dayliff.com

### ELDORET

UGANDA RD, ELDOTUNE BLD, P O BOX 4776  
TEL: (254 53) 2061306, FAX: 2062335  
d&s@eld.dayliff.com

### KISUMU

OBOTE RD, P O BOX 4690,  
TEL: (254 57) 2044537/8, FAX: 2023103  
d&s@ksm.dayliff.com

### MOMBASA

JOMO KENYATTA AVENUE P O BOX 82438,  
TEL: (254 41) 490861, 492626, 490136, FAX: 490868  
d&s@msa.dayliff.com

### UGANDA

**KAMPALA**  
JINJA RD, P O BOX 22824  
TEL: (6 41) 346337/8, FAX: 346335,  
d&s@ug.dayliff.com

### TANZANIA

**DAR ES SALAAM**  
GEREZANI RD, P O BOX 10725  
TEL: (7 22) 2112515/6, FAX: 2112513  
office@tz.dayliff.com

### ZAMBIA

**LUSAKA**  
LUMUMBA RD, P O BOX 112 F/W  
Tel: (01) 288010/11, Fax: (01) 288010  
d&s@zm.dayliff.com

### RWANDA

**KIGALI**  
MUHIMA ROAD, BP 7039  
Tel: (250) 08755381  
hmuchini@mail.com

[www.dayliff.com](http://www.dayliff.com)