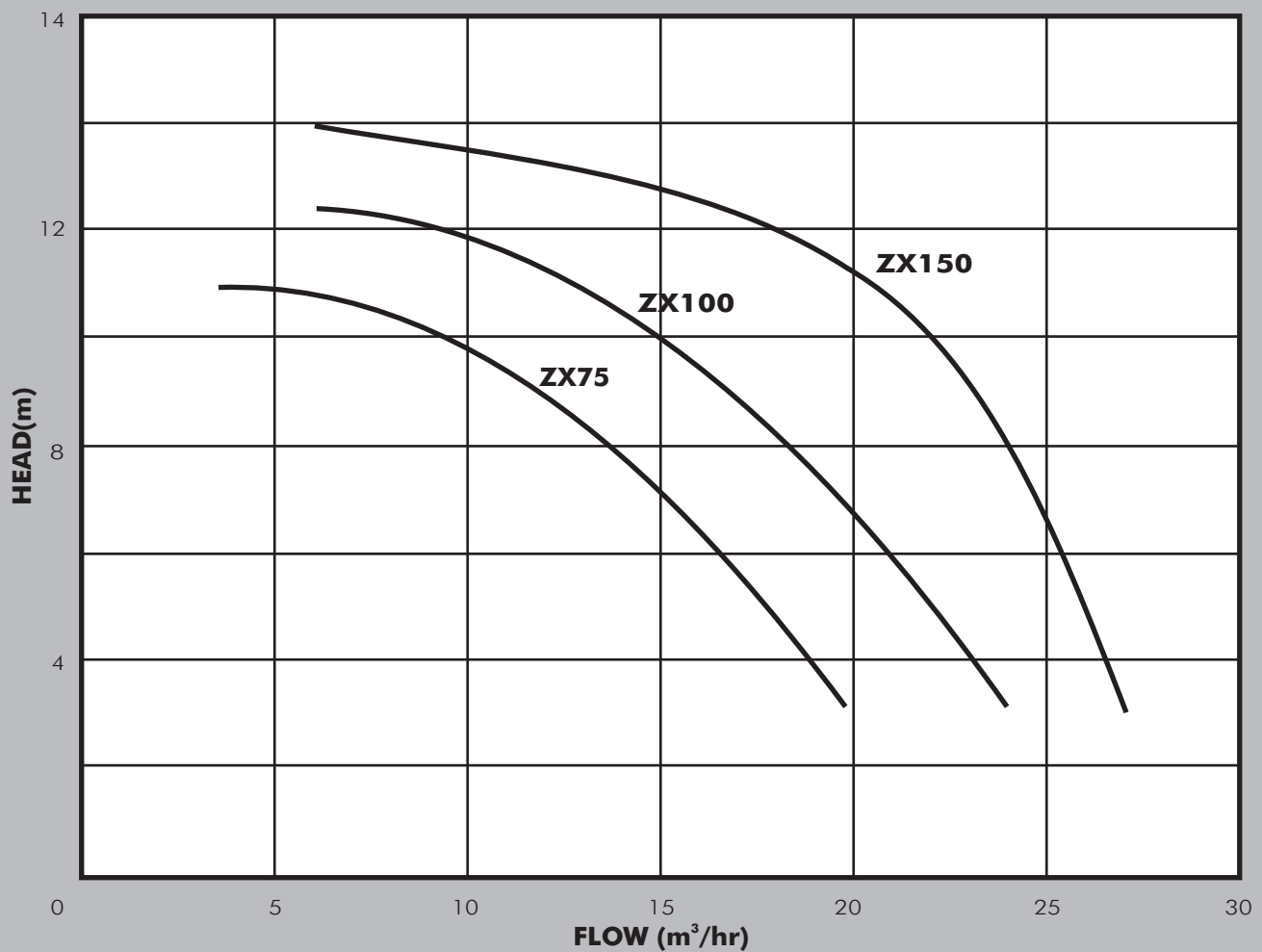


MONARCH POOL SYSTEMS

DATA SHEET

Pool
Pump

POWERFLOW ZX



PUMP

MONARCH POWERFLOW ZX centrifugal impeller type pool pumps are specially designed for all domestic and small size institution swimming pool applications. The pump is designed for high efficiency and quiet operation and features include quick connect couplings for simple installation and large line strainer with see through lid.

All pump components are made from high grade UV stabilized plastics for long life and durability.

MOTOR

Pumps are close coupled to TEFC brushless induction motors designed for continuous operation. A thermal relay is provided in the windings for protection against overload and the pump can be connected directly to the mains supply through a 10amp fuse or MCB.

Enclosure Class: IP44 **Insulation Class:** F **Standard Voltage:** 1 x 240V **Speed:** 2900rpm

OPERATING CONDITIONS

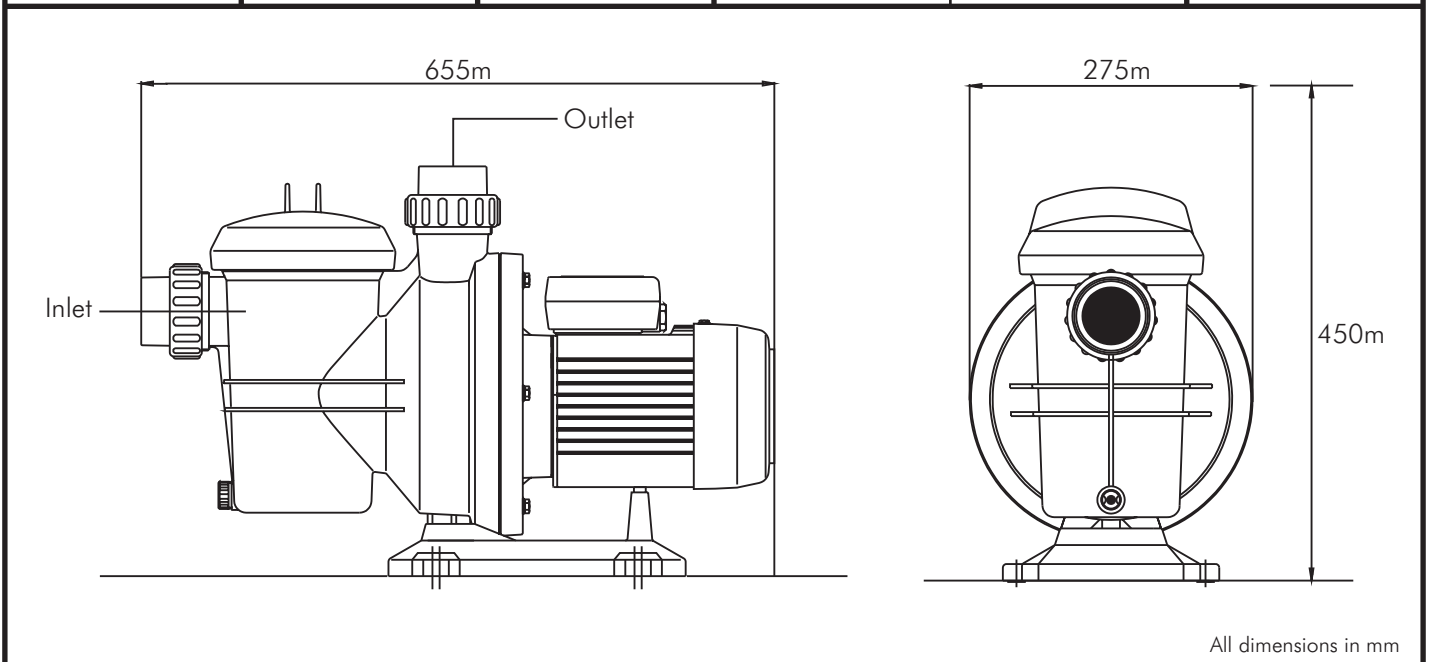
Pumped liquid: Thin, clean, chemically non aggressive liquids without solids or fibres.

Maximum Fluid Temperature: +40°C

Maximum Ambient Temperature: +50°C

PUMP DATA

Pump Type	Motor (kW)	Current (A)	DIMENSIONS (mm)		Net Weight (kg)
			Inlet	Outlet	
Z X 75	0.55	3.3	40	50	12
Z X 100	0.75	4	40	50	12
Z X 150	1.1	5	40	50	15



NB. Contents herein are not warranted. The right is reserved to amend specifications without notice.

AVAILABLE FROM

DP123A-01/08

D&S DAVIS & SHIRTLIFF
know H₂Ow through experience
www.dayliff.com

KENYA

NAIROBI - HEAD OFFICE
TEL: (254 20) 6968000, 558335, FAX: 557617
d&s@dayliff.com
WESTLANDS
TEL: (254 20) 4446011, 4446016, FAX: 4451038
westlands@dayliff.com
ELDORET
TEL: (254 53) 2061306, FAX: 2062335
d&s@eld.dayliff.com
KISUMU
TEL: (254 57) 2024763, FAX: 2023103
d&s@ksm.dayliff.com

MOMBASA

TEL: (254 41) 2495920, 2490861, FAX: 2490868
d&s@msa.dayliff.com

MALINDI

TEL: (254 42) 20425, FAX: 20426
d&s@mld.dayliff.com

NAKURU

TEL: (254 51) 2213146, 2213248, FAX: 2212956
d&s@nkr.dayliff.com

ZAMBIA

LUSAKA
TEL/FAX: (260 211) 288010/1, 845010/1
lusaka@zm.dayliff.com

KITWE

TEL/FAX: (260 212) 22174/67,
kitwe@zm.dayliff.com

RWANDA

KIGALI
TEL: (250) 504039, FAX: 504033
sales@dayliff.co.rw

TANZANIA

DAR ES SALAAM
TEL: (255 22) 2112515/6, FAX: 2112513
office@tz.dayliff.com

ARUSHA

TEL: (255 25) 2502517/8, FAX: 2502516
office@ars.tz.dayliff.com

ZANZIBAR

TEL: (255 24) 2234660/1, FAX: 2234664
office@znz.tz.dayliff.com

UGANDA

KAMPALA
TEL: (256 414) 346337/8, FAX: 346335
d&s@ug.dayliff.com