

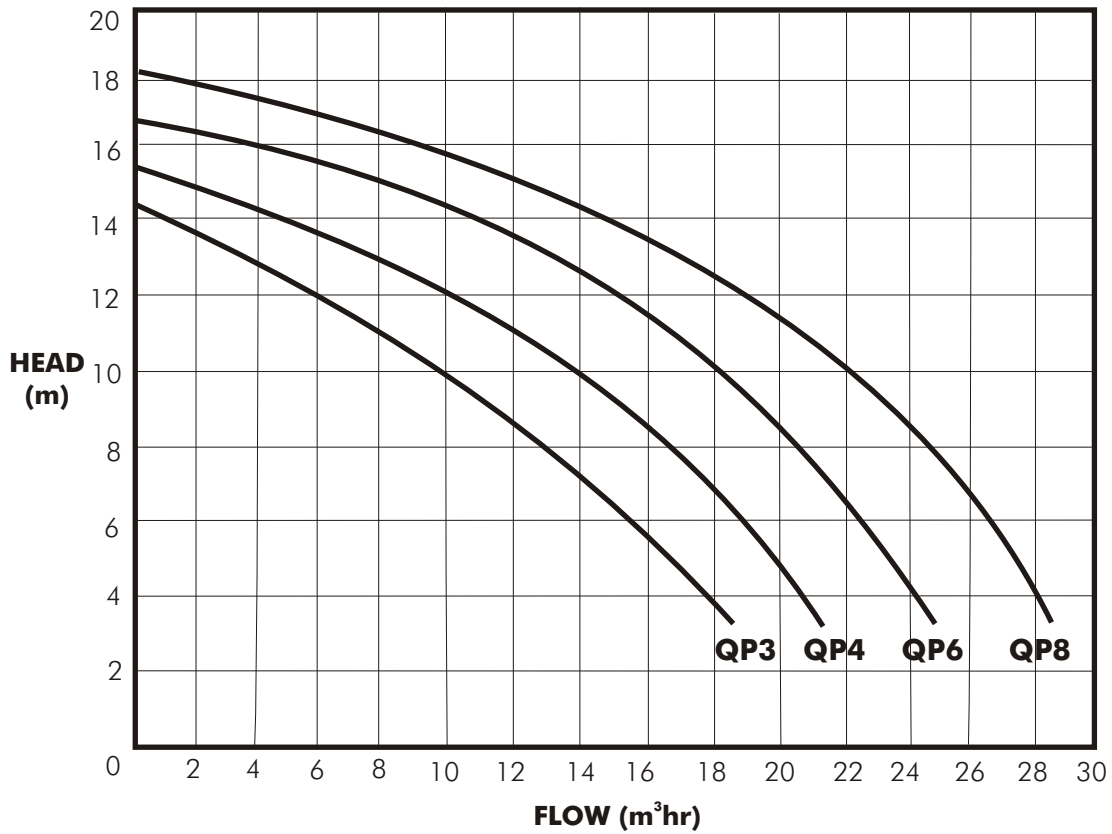


SWIMMING POOL

PUMPS



PERFORMANCE



PUMP

The Dayliff range of pool pumps are rugged and reliable products suitable for all swimming pool and spa applications. Features include an extra large strainer basket, transparent strainer cover with a sturdy, easy removable clamp and a non-overloading closed impeller. Pump construction is glass filled thermo-plastic throughout.

MOTOR

All pumps incorporate a TEFC motor with built-in thermal overload protection. The motor can be connected directly to mains electrical supply, though 10A fuse or MCB protection is required.

Standard Voltage: 1x 240V

Speed: 2900 rpm

Enclosure Class IP54

Insulation Class: F

OPERATING CONDITIONS

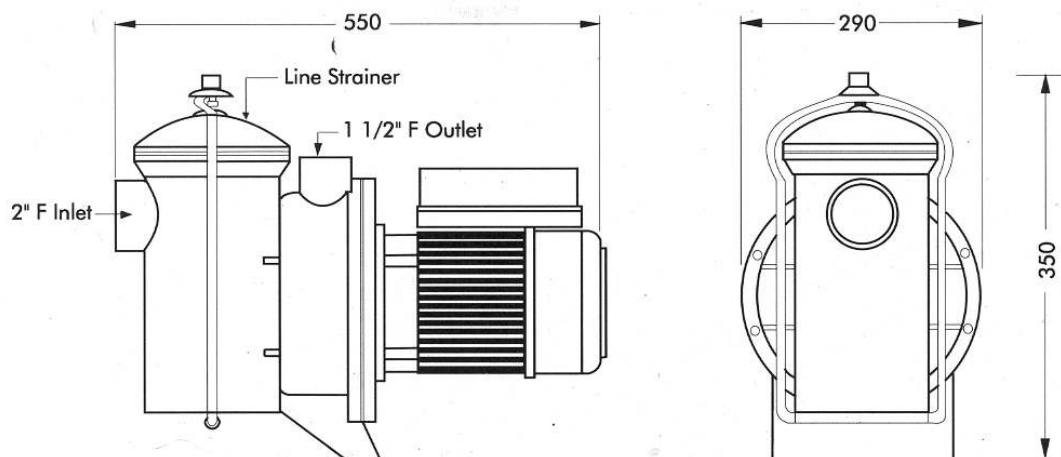
Pumped Liquid: Thin, clean, chemically non-aggressive liquids, without solid particles or fibres.

Max. Ambient Temperature: +40°C

Max. Water Temperature: +50°C

PUMP DATA

MODEL	MOTOR SIZE	MAX. AMPS	WEIGHT (kgs)
QP3	0.6kW	4.85	11
QP4	0.75kW	5.2	12
QP6	1.1kW	7.6	14
QP8	1.5kW	10.2	18



NB. Contents herein are not warranted. The right is reserved to amend specifications without notice.

AVAILABLE FROM

APL11A-09/04



KENYA

NAIROBI - HEAD OFFICE
DUNDORI RD
P O BOX 41762, 00100 GPO
TEL: (254 20) 558335, 536901, FAX: 557617
d&s@dayliff.com

THE POOL SHOP
CENTRO HSE, RING RD WESTLANDS
P O BOX 41762, 00100 GPO
TEL: (254 20) 4446011, 4446016, FAX: 4442568
poolshop@dayliff.com

ELDORET

UGANDA RD, ELDOTUNE BLD, P O BOX 4776
TEL: (254 53) 61306, FAX: 62335
d&s@eld.dayliff.com

KISUMU

OBOTE RD, P O BOX 4690,
TEL: (254 57) 44537/8, FAX: 23103
d&s@ksm.dayliff.com

MOBASA

JOMO KENYATTA AVENUE P O BOX 82438,
TEL: (254 41) 490861, 492626, 490136, FAX: 490868
d&s@msa.dayliff.com

UGANDA

KAMPALA
JINJA RD, P O BOX 22824
TEL: (6 41) 346337/8, FAX: 346335,
d&s@ug.dayliff.com

TANZANIA

DAR ES SALAAM
GEREZANI RD, P O BOX 10725
TEL: (7 22) 2112515/6, FAX: 2112513
office@tdzdayliff.com

ZAMBIA

LUSAKA
LUMUMBA RD, P O BOX 112 F/W
Tel: (01) 288010/11, Fax: (01) 288010
d&s@zm.dayliff.com

RWANDA

KIGALI
MUHIMA ROAD, BP 7039
Tel: (250) 08755381
hmuchini@mail.com

www.dayliff.com