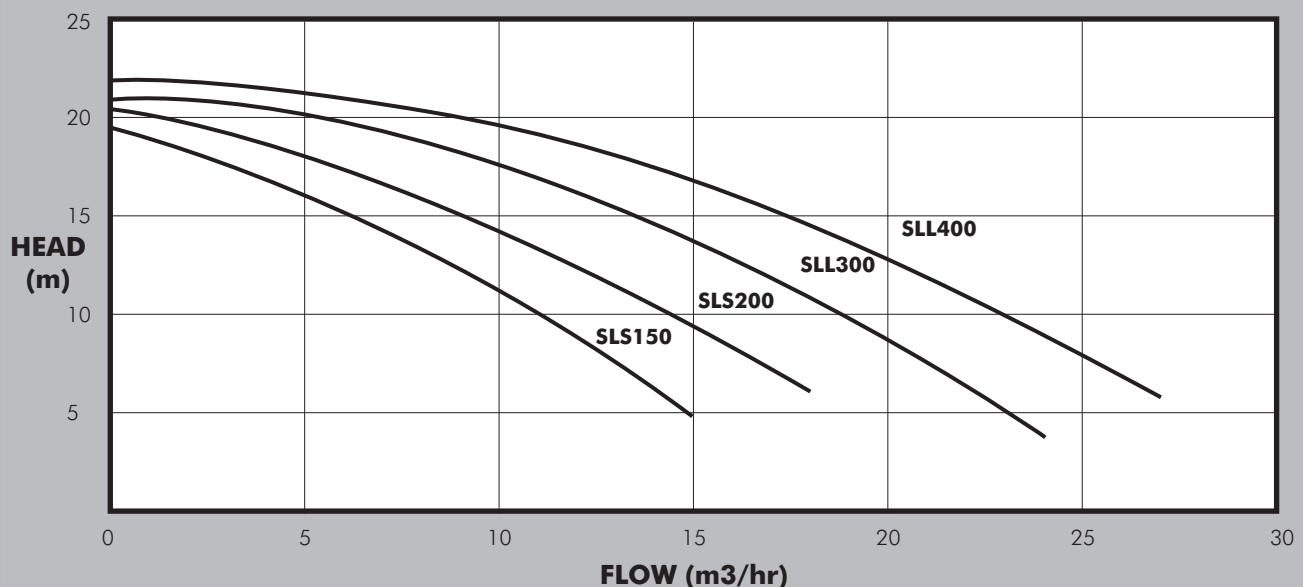
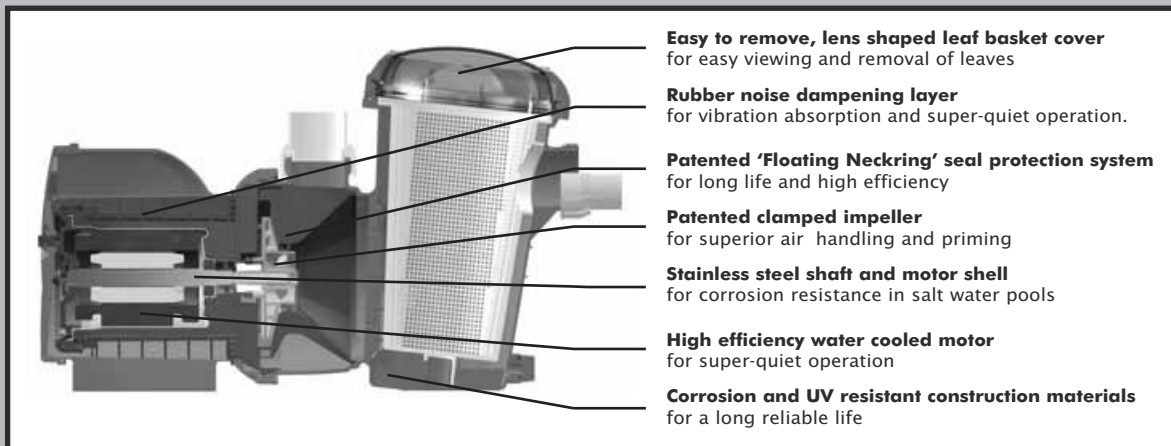


DAVEY

MADE IN AUSTRALIA

DATA SHEET

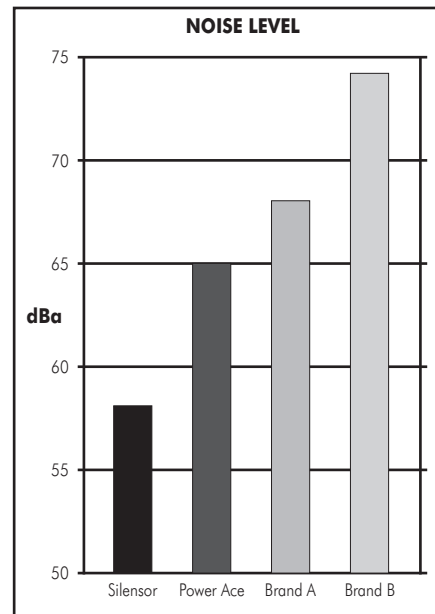
Pool Pump Silensor



PUMP

DAVEY Silensor super-quiet swimming pool pumps are revolutionary products that take pool pumping technology to a new level. Consider these features:-

- Liquid cooled motor providing even cooling in the hottest of conditions; elimination of a cooling fan and the absorption provided by the water flow around the motor shell results in super quiet operation.
- Plastic construction for all external components providing a long totally corrosion free life that is especially beneficial in humid conditions.
- High efficiency hydraulic design featuring a clamped impeller with exceptional air handling and priming performance.
- Automatic 'Dry Run' protection that stops the pump when there is no water flow.
- Simple to open high capacity leaf baskets.
- Two basic models are available, SLS and SLL. SLS models feature an enlarged 4.5 Litre basket for extended intervals between cleaning.



These exceptional feature combined with the traditional DAVEY valves of dependable construction and manufacturing quality make 'Silensor' pumps the very best available for all swimming pool applications.

MOTOR

Pumps are provided with an integral water cooled motor with built in thermal overload protection and can be directly connected to mains power supply through a fuse or MCB.

Enclosure Class: IP56 **Insulation Class:** F **Standard Voltage:** 1 x 240V **Speed:** 2850rpm

OPERATING CONDITIONS

Pumped liquid: Thin, clean, chemically non aggressive liquids without solids or fibres

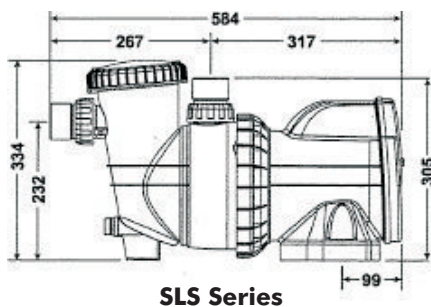
Maximum Water Temperature: +50°C

Maximum Ambient Temperature: +55°C

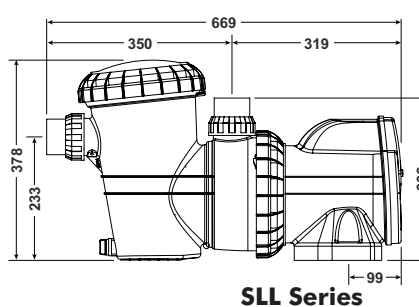
Maximum Suction Lift: 7.5m (at sea level)

PUMP DATA

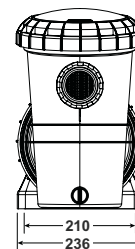
Pump	Power (kW)	Operating Current (Amps)	Max. Pool Volume (Litres)	Weight (Kgs)
SLS150	0.6	4.0	90,000	11.0
SLS200	0.8	4.9	115,000	11.0
SLL300	1.0	5.9	150,000	12.5
SLL400	1.2	7.4	185,000	13.0



SLS Series



SLL Series



All dimensions in mm

NB. Contents herein are not warranted. The right is reserved to amend specifications without notice.

AVAILABLE FROM

BD17A-01/07

D&S DAVIS & SHIRTLIFF
know H₂Ow through experience
www.dayliff.com

KENYA

NAIROBI - HEAD OFFICE
TEL: (254 20) 558335, 536901, FAX: 557617
d&s@dayliff.com
WESTLANDS
TEL: (254 20) 4446011, 4446016, FAX: 4442568
Westlands@dayliff.com
ELDORET
TEL: (254 53) 2061306, FAX: 2062335
d&s@eld.dayliff.com
KISUMU
TEL: (254 57) 2024763, FAX: 2023103
D&s@ksm.dayliff.com

MOMBASA

TEL: (254 41) 2490861, 2492626, FAX: 2490868
d&s@msa.dayliff.com
NAKURU
TEL: (254 51) 2213146, 2213248, FAX: 2212956
d&s@nkr.dayliff.com
UGANDA
KAMPALA
TEL: (256 41) 346337/8, FAX: 346335
d&s@ug.dayliff.com

TANZANIA

DAR ES SALAAM
TEL: (255 22) 2112515/6, FAX: 2112513
office@tz.dayliff.com
ARUSHA
TEL: (255 25) 2502517/8, FAX: 2502516
office@ars.tz.dayliff.com
ZANZIBAR
TEL: (255 24) 2234660/1, FAX: 2234664
office@znz.tz.dayliff.com

ZAMBIA

LUSAKA
TEL: (260 1) 288010/11, FAX: (01) 288010
d&s@zm.dayliff.com
KITWE
TEL: (260 2) 221747, TEL/FAX: 221767
kitwe@zm.dayliff.com
RWANDA
KIGALI
TEL: (250) 504033/9
sales@dayliff.co.rw