

GRUNDFOS®

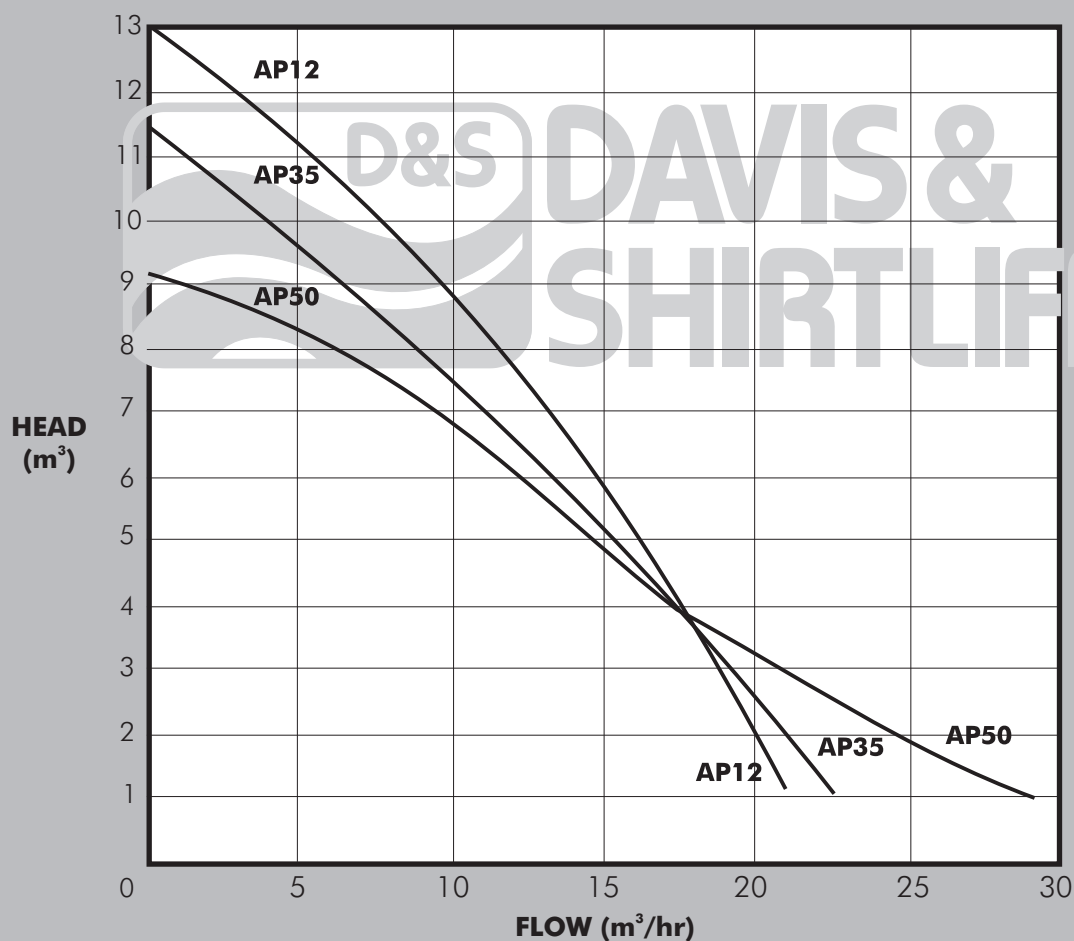
MADE IN DENMARK



DATA SHEET

Submersible
Waste Water Pumps

AP



PUMP

The Grundfos AP submersible waste water pump range are purpose designed for the transfer and drainage of heavily polluted liquids. Typical applications include sump or septic tank drainage, groundwater removal, site de-watering and industrial effluent transfer and all pumps are suitable for both permanent and portable installations.

Three pump models are offered, each of similar capacity though with different free passage capability, pump choice being determined by the quality of the pumped water. Special features include high quality stainless steel construction throughout, vortex hydraulics for the AP35 & 50 models and careful design to minimise clogging problems. The pumps are lightweight with many innovative design features to provide reliability and powerful pumping performance.

All models are provided with level switches to automatically control pump operation and are supplied with 10m of neoprene cable as standard.

MOTOR

Pumps are provided with an integral asynchronous motor of the canned rotor type with liquid filled rotor chamber. All motors are provided with a thermal cutout to protect against overload and can be connected directly to the mains supply through a 10 Amp fuse and the use of an earth leakage circuit breaker (ELCB) with a nominal trip current of >30mA is recommended.

Enclosure Class: IP68

Insulation Class: F

Voltage: 1x240V

Speed: 2800 rpm

OPERATING CONDITIONS

Pumped liquid: Chemically non-aggressive liquids with a pH range 4-10 containing impurities up to the pump's designed free passage size.

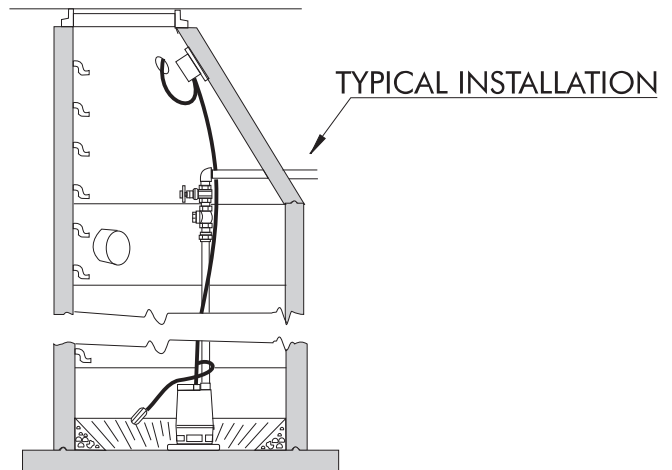
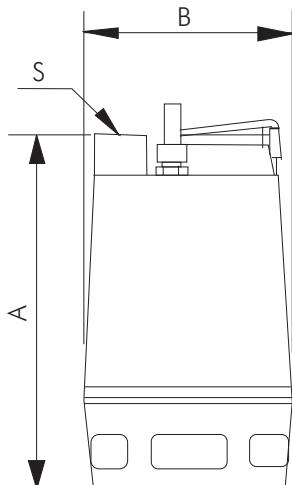
Fluid Temperature Range: 0°C to +55°C

Max. Installation Depth: 10m below water surface.

Max. Liquid Density: 1100kg/m³

PUMP DATA

Model	Motor			Dimensions (mm)				Weight (kg)
	Voltage (V)	Input Power (kW)	Operating Current (A)	S	A	B	Free Passage Size	
AP12	1X240	0.9	4.4	1½"	321	216	12	12.5
AP35	1X240	1.2	5.5	1½"	410	216	35	13.5
AP50	1X240	1.3	5.9	2"	436	241	50	15.1



© Davis & Shirliff 2014. Contents herein are not warranted. The right is reserved to amend specifications without notice. www.davisandshirliff.com

GR31E-04/08

KENYA
NAIROBI - HEAD OFFICE
 TEL: (+254 20) 6968 000
 headoffice@dayliff.com
NAIROBI - WESTLANDS
 TEL: (+254 20) 44480116,
 westlands@dayliff.com
NAIROBI - DOWNTOWN
 TEL: (+254 20) 340102
 downtown@dayliff.com
NAIROBI - KAREN
 TEL: (+254 20) 3883513
 karen@dayliff.com
THIKA
 TEL: (+254 67) 20084/5
 thika@dayliff.com
ELDORET
 TEL: (+254 53) 2061306
 eldoret@dayliff.com

NAKURU
 TEL: (+254 51) 2213248
 nkroffice@dayliff.com
KISUMU
 TEL: (+254 57) 2024763
 ksmoffice@dayliff.com
KISII
 TEL: (+254 58) 2030949
 ksil@dayliff.com
NAIVASHA
 TEL: (+254 50) 2030510
 naivasha@dayliff.com
MACHAKOS
 TEL: (+254 40) 2021668
 naivasha@dayliff.com
MERU
 TEL: (+254 64) 3131033
 meru@dayliff.com

GARISSA
 TEL: (+254 46) 2102620
 garissa@dayliff.com
KENYA COAST
MOMBASA - Main Office
 TEL: (+254 20) 2040432
 d&smasa@dayliff.com
MALINDI
 TEL: (+254 42) 2120425
 mlidoffice@dayliff.com
DIANI
 TEL: (+254 40) 3202181
 dianioffice@dayliff.com
LAMU
 TEL: (+254 20) 2651052/56
 lamu@dayliff.com

NYALI
 TEL: (+254 20) 2443357
 d&s@nyali.dayliff.com
VOI
 TEL: (+254 20) 2028284
 voi@dayliff.com
ETHIOPIA
ADDIS ABABA
 TEL: (+251 11) 5159341/44
 d&sethiopia@dayliff.com
RWANDA
KIGALI
 TEL: (+250 252) 504039
 rwoffice@dayliff.com

UGANDA
KAMPALA - Main Office
 TEL: (+256 414) 346337/8
 d&skampala@dayliff.com
KAMPALA - NAKESERO
 TEL: (+256 392) 734633
 d&snakesero@dayliff.com
GULU
 TEL: (+256 471) 433041
 d&sgulu@dayliff.com
MBARARA
 TEL: (+256 753) 940 080
 d&smbarara@dayliff.com

TANZANIA
DAR ES SALAAM - Main Office
 TEL: (+255 22) 2112515/6
 d&sdarressalaam@dayliff.com
DAR ES SALAAM - KARIAKOO
 TEL: (+255 22) 2184867
 d&skariakoo@dayliff.com
ARUSHA
 TEL: (+255 27) 2547317/8
 arusha@dayliff.com
ZANZIBAR
 TEL: (+255 24) 2234660/1
 zanzibar@dayliff.com
MWANZA
 TEL: (+255 28) 2541971/2
 d&smwanza@dayliff.com

ZAMBIA
LUSAKA - Main Office
 TEL: (+260 211) 288010/1
 d&slusaka@dayliff.com
NDOLA
 TEL: (+260 212) 610936/7
 d&sndola@dayliff.com
KITWE
 TEL: (+260 212) 221747/67
 d&skitwe@dayliff.com
LIVINGSTONE
 TEL: (+260 213) 320002/234
 d&slivingstone@dayliff.com
SOUTH SUDAN
JUBA
 TEL: (+211 956) 397 070
 juba@dayliff.com