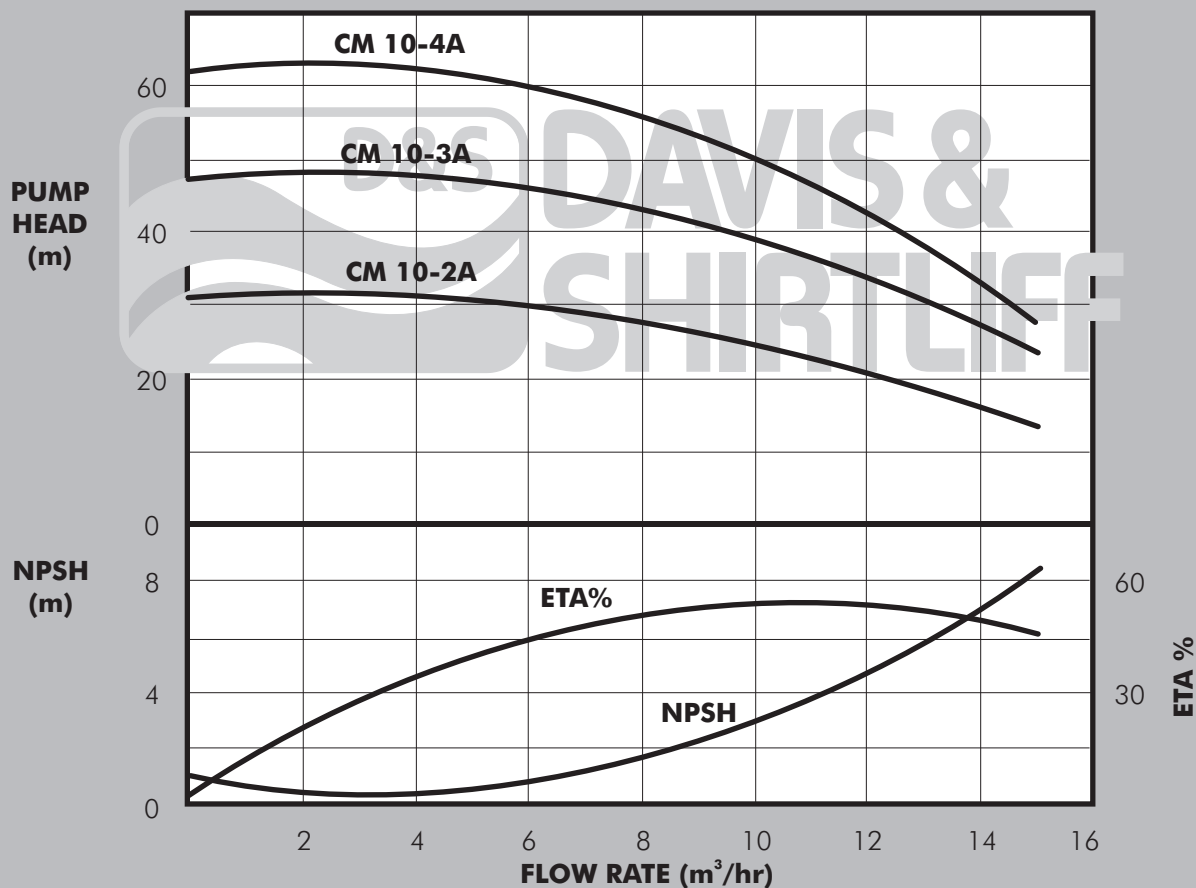
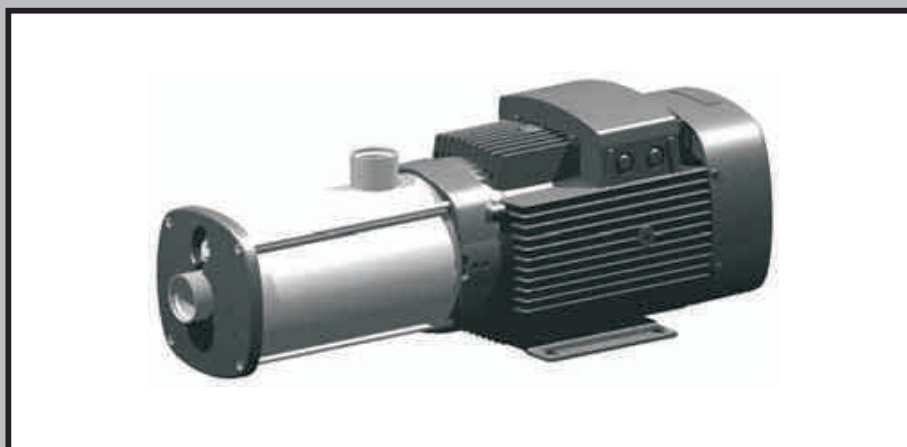




## DATA SHEET

Horizontal  
Multistage Pumps

## CM10



## PUMP

The Grundfos CM range of horizontal multistage pumps are high efficiency, high quality products designed for continuous duty in various water boosting and transfer applications. They are of compact dimensions, feature axial suction and radial discharge ports and are exceptionally quiet in operation. The suction and outlet chambers are made of grey cast iron, the impeller and the impeller housing of 304 stainless steel.

The pumps are available in a wide range of sizes to suit particular applications and are designed for operation with the Grundfos PM1 pump controller which provides automatic operation according to demand as well as run-dry protection.

## MOTOR

The pump is coupled to a totally enclosed, fan cooled Grundfos squirrel-cage motor. Single phase motors include a built in thermal overload protection and should be connected to mains power through a 10A fuse or MCB. Three phase motors should be installed with a remote starter.

**Enclosure Class:** IP55

**Insulation Class:** F

**Speed** 2900rpm

## OPERATING CONDITIONS

**Pumped liquids:** Thin, clean, non-aggressive and non-explosive liquids without solid particles or fibres.

**Liquid temperature:** 0°C to +120°C

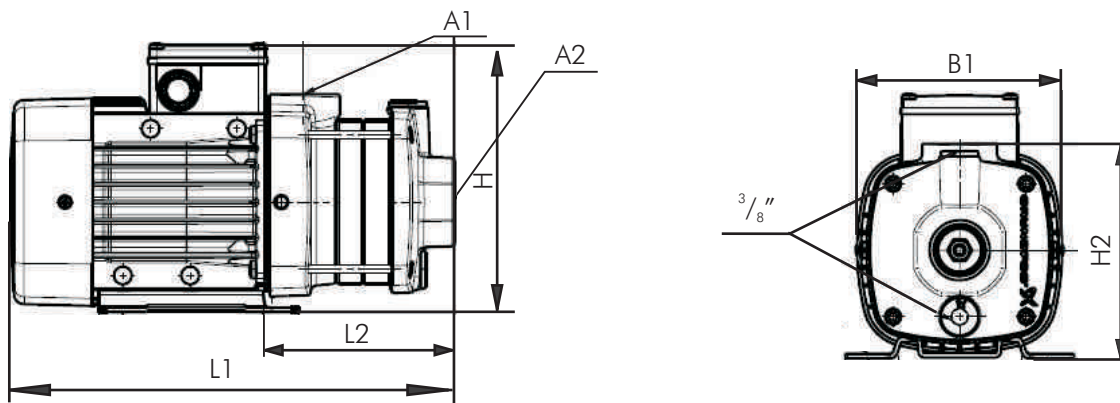
**Max. Ambient Temperature:** +50°C

**Max. Suction lift:** According to the NPSH curve plus a safety margin of 1.0m

**Max. Operating Pressure:** 10 bar

## PUMP DATA

Model	Output Power (kW)	Voltage (V)	Running Current (A)	Start Current (A)	Dimensions (mm)						Weight (Kg)	
					A1	A2	L1	L2	B1	H		H2
CM 10-2A	1.3	1x240	8.9	30.3	1½"	1½"	421	190	190	239	245	32
CM 10-3A	2.2	3x415	4.9	35.9	1½"	1½"	451	220	190	210	245	35
CM 10-4A	3.2	3x415	6.6	55.2	1½"	1½"	537	265	198	220	245	41



All dimensions in mm

© Davis & Shirliff 2014. Contents herein are not warranted. The right is reserved to amend specifications without notice. [www.davisandshirliff.com](http://www.davisandshirliff.com)

GR221A-01/11

### KENYA

**NAIROBI - HEAD OFFICE**  
TEL: (+254 20) 6968 000  
headoffice@dayliff.com

**NAIROBI - WESTLANDS**  
TEL: (+254 20) 44480116,  
westlands@dayliff.com

**NAIROBI - DOWNTOWN**  
TEL: (+254 20) 340102  
downtown@dayliff.com

**NAIROBI - KAREN**  
TEL: (+254 20) 3883513  
karen@dayliff.com

**THIKA**  
TEL: (+254 67) 20084/5  
thika@dayliff.com

**ELDORET**  
TEL: (+254 53) 2061306  
eldoret@dayliff.com

### NAKURU

TEL: (+254 51) 2213248  
nairoffice@dayliff.com

### KISUMU

TEL: (+254 57) 2024763  
ksmoffice@dayliff.com

### KISII

TEL: (+254 58) 2030949  
ksii@dayliff.com

### NAIVASHA

TEL: (+254 50) 2030510  
naivasha@dayliff.com

### MACHAKOS

TEL: (+254 40) 2021668  
naivasha@dayliff.com

### MERU

TEL: (+254 64) 3131033  
meru@dayliff.com

### GARISSA

TEL: (+254 46) 2102620  
garissa@dayliff.com

### KENYA COAST

**MOMBASA - Main Office**  
TEL: (+254 20) 2040432  
d&msmsa@dayliff.com

### MALINDI

TEL: (+254 42) 2120425  
mldoffice@dayliff.com

### DIANI

TEL: (+254 40) 3202181  
dianooffice@dayliff.com

### LAMU

TEL: (+254 20) 265105256  
lamu@dayliff.com

### NYALI

TEL: (+254 20) 2443357  
d&s@nyali.dayliff.com

### VOI

TEL: (+254 20) 2028284  
voi@dayliff.com

### ETHIOPIA

**ADDIS ABABA**  
TEL: (+251 11) 5159341/44  
d&sethiopia@dayliff.com

### RWANDA

**KIGALI**  
TEL: (+250 252) 504039  
rwoffice@dayliff.com

### UGANDA

**KAMPALA - Main Office**  
TEL: (+256 414) 346337/8  
d&skampala@dayliff.com

### KAMPALA - NAKESERO

TEL: (+256 392) 734633  
d&snakesero@dayliff.com

### GULU

TEL: (+256 471) 433041  
d&sgulu@dayliff.com

### MBARARA

TEL: (+256 753) 940 080  
d&smbarara@dayliff.com

### TANZANIA

**DAR ES SALAAM - Main Office**  
TEL: (+255 22) 2112515/6  
d&sdarressalaam@dayliff.com

### DAR ES SALAAM - KARIAKOO

TEL: (+255 392) 2184867  
d&skariakoo@dayliff.com

### ARUSHA

TEL: (+255 27) 2547317/8  
arusaha@dayliff.com

### ZANZIBAR

TEL: (+255 24) 2234660/1  
zanzibar@dayliff.com

### MWANZA

TEL: (+255 28) 2541971/2  
d&smwanza@dayliff.com

### ZAMBIA

**LUSAKA - Main Office**  
TEL: (+260 211) 288010/1  
d&slusaka@dayliff.com

### NDOLA

TEL: (+260 212) 610936/7  
d&sndola@dayliff.com

### KITWE

TEL: (+260 212) 221747/67  
d&skitwe@dayliff.com

### LIVINGSTONE

TEL: (+260 213) 320002/234  
d&slivingstone@dayliff.com

### SOUTH SUDAN

**JUBA**  
TEL: (+211 956) 397 070  
juba@dayliff.com