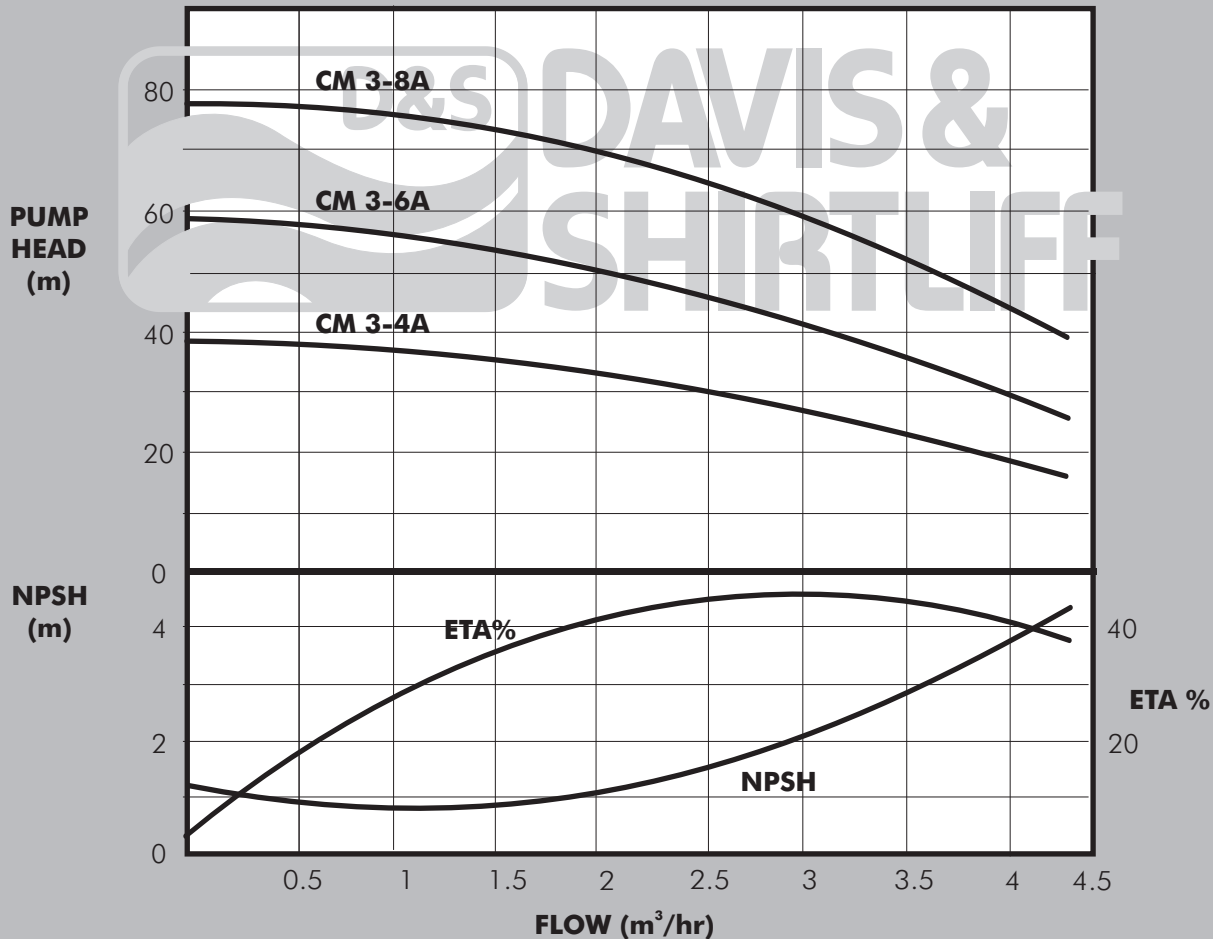




DATA SHEET

Horizontal
Multistage Pumps

CM3



PUMP

The Grundfos CM range of horizontal multistage pumps are high efficiency, high quality products designed for continuous duty in various water boosting and transfer applications. They are of compact dimensions, feature axial suction and radial discharge ports and are exceptionally quiet in operation. The suction and outlet chambers are made of grey cast iron, the impeller and the impeller housing of 304 stainless steel.

The pumps are available in a wide range of sizes to suit particular applications and are designed for operation with the Grundfos PM1 pump controller which provides automatic operation according to demand as well as run-dry protection.

MOTOR

The pump is coupled to a totally enclosed, fan cooled Grundfos squirrel-cage motor. Single phase motors include a built in thermal overload protection and should be connected to mains power through a 10A fuse or MCB. Three phase motors should be installed with a remote starter.

Enclosure Class: IP55

Insulation Class: F

Speed 2900rpm

OPERATING CONDITIONS

Pumped liquids: Thin, clean, non-aggressive and non-explosive liquids without solid particles or fibres.

Liquid temperature: 0°C to +120°C

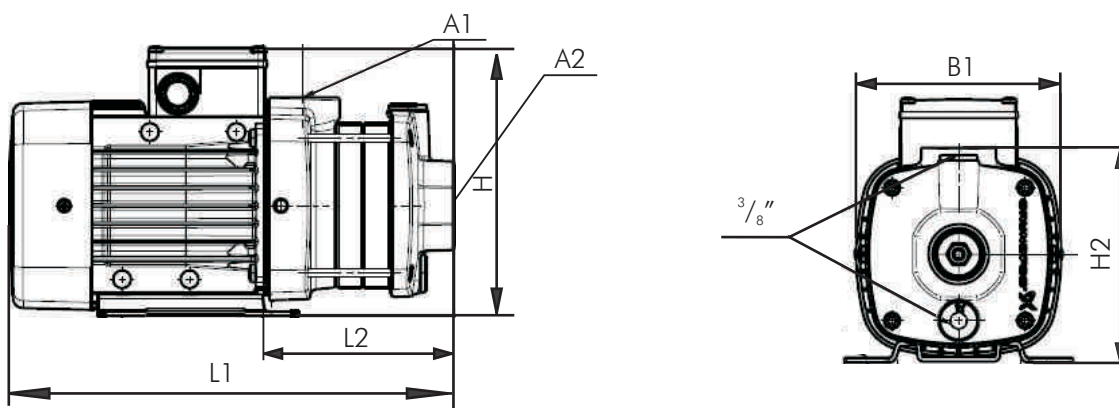
Max. Ambient Temperature: +50°C

Max. Suction lift: According to the NPSH curve plus a safety margin of 1.0m

Max. Operating Pressure: 10 bar

PUMP DATA

| Model | Output Power (kW) | Voltage (V) | Running Current (A) | Start Current (A) | Dimensions (mm) | | | | | | | Weight (Kg) |
|---------|-------------------|-------------|---------------------|-------------------|-----------------|----|-----|-----|-----|-----|-----|-------------|
| | | | | | A1 | A2 | L1 | L2 | B1 | H | H2 | |
| CM 3-4A | 0.5 | 1x240 | 3.2 | 17 | 1" | 1" | 324 | 150 | 142 | 208 | 149 | 15 |
| CM 3-6A | 0.7 | 1x240 | 4.2 | 16.4 | 1" | 1" | 400 | 186 | 142 | 208 | 149 | 17 |
| CM 3-8A | 0.9 | 1x240 | 5.2 | 22.4 | 1" | 1" | 436 | 222 | 142 | 208 | 149 | 18 |



All dimensions in mm

KENYA

NAIROBI - HEAD OFFICE
TEL: (+254 20) 6968 000
headoffice@dayliff.com

NAIROBI - WESTLANDS
TEL: (+254 20) 44480116,
westlands@dayliff.com

NAIROBI - DOWNTOWN
TEL: (+254 20) 340102
downtown@dayliff.com

NAIROBI - KAREN
TEL: (+254 20) 3883513
karen@dayliff.com

THIKA
TEL: (+254 67) 20084/5
thika@dayliff.com

ELDORET
TEL: (+254 53) 2061306
eldoret@dayliff.com

NAKURU

TEL: (+254 51) 2213248
nkroffice@dayliff.com

KISUMU
TEL: (+254 57) 2024763
ksmoffice@dayliff.com

KISII
TEL: (+254 58) 2030949
ksii@dayliff.com

NAIVASHA
TEL: (+254 50) 2030510
naivasha@dayliff.com

MACHAKOS
TEL: (+254 40) 2021668
naivasha@dayliff.com

MERU
TEL: (+254 64) 3131033
meru@eld.dayliff.com

GARISSA

TEL: (+254 46) 2102620
garissa@dayliff.com

KENYA COAST
MOMBASA - Main Office
TEL: (+254 20) 2040432
d&msmsa@dayliff.com

MALINDI
TEL: (+254 42) 2120425
mldoffice@dayliff.com

DIANI
TEL: (+254 40) 3202181
dianioffice@dayliff.com

LAMU
TEL: (+254 20) 265105256
lamu@dayliff.com

NYALI

TEL: (+254 20) 2443357
d&nyali.dayliff.com

VOI
TEL: (+254 20) 2028284
voi@dayliff.com

ETHIOPIA

ADDIS ABABA
TEL: (+251 11) 515934144
dðiopia@dayliff.com

RWANDA

KIGALI
TEL: (+250 252) 504039
rwoffice@dayliff.com

UGANDA

KAMPALA - Main Office
TEL: (+256 414) 3463378
d&skampala@dayliff.com

KAMPALA - NAKESERO
TEL: (+256 392) 734633
d&snakesero@dayliff.com

GULU
TEL: (+256 471) 433041
d&sgulu@dayliff.com

MBARARA
TEL: (+256 753) 940 080
d&smbarara@dayliff.com

TANZANIA

DAR ES SALAAM - Main Office
TEL: (+255 22) 21125156
d&dsalasalaam@dayliff.com

DAR ES SALAAM - KARIAKOO
TEL: (+255 22) 2184867
d&skariakoo@dayliff.com

ARUSHA
TEL: (+255 27) 2547317/8
arussha@dayliff.com

ZANZIBAR
TEL: (+255 24) 2234660/1
zanzibar@dayliff.com

MWANZA
TEL: (+255 28) 2541971/2
d&smwanza@dayliff.com

ZAMBIA

LUSAKA - Main Office
TEL: (+260 211) 288010/1
d&slusaka@dayliff.com

NDOLA
TEL: (+260 212) 610936/7
d&sndola@dayliff.com

KITWE
TEL: (+260 212) 221747/67
d&skitwe@dayliff.com

LIVINGSTONE
TEL: (+260 213) 320002/234
d&slivingstone@dayliff.com

SOUTH SUDAN

JUBA
TEL: (+211 956) 397 070
juba@dayliff.com