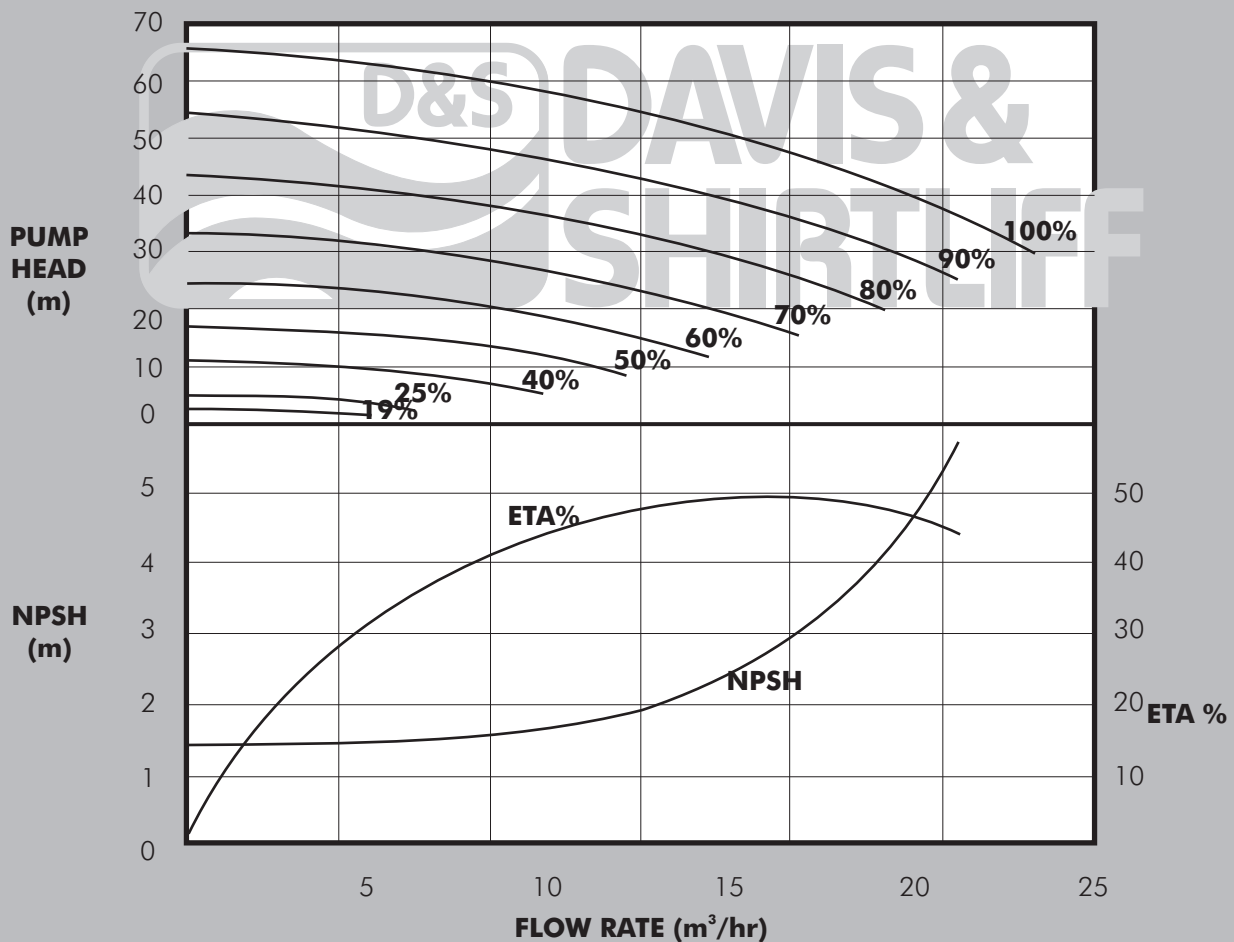




DATA SHEET

Horizontal Multistage Variable Speed Pumps

CMBE



PUMP

The Grundfos CMBE Booster is a compact water boosting unit for water supply in domestic and small scale applications. The pump is fitted with an integral variable speed controller that maintains pump output at constant pressure adjustable to any value up to 5 Bar. The pump is compact for simple installation, quiet with operating noise level of 55dBA and of robust design for long life. The speed controller also maintains pump performance at maximum efficiency so minimizing operating costs.

All hydraulic parts are made from stainless steel and the pump unit is supplied complete with an integrated pressure sensor, a 5-way connector with non-return valve, a 2L diaphragm tank and a pressure gauge.

MOTOR

The pump is fitted with a Grundfos MGE variable speed motor that incorporates thermal protection against motor overload and dry run protection with auto-restart. The motor can be directly connected to the mains power supply through a 10A FUSE or MCB.

Enclosure Class: IP55 **Insulation Class:** F **Voltage:** 1x240V **Speed:** 360-3480rpm

OPERATING CONDITIONS

Pumped Liquids: Thin, clean non-aggressive and non-explosive liquids without solid particles or fibres

Liquid Temperature: 20°C

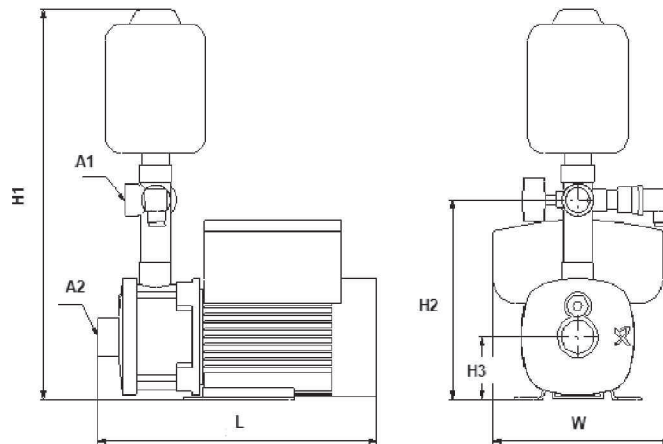
Max. Ambient Temperature: +55°C

Max. Suction Lift: 1m

Max. Operating Pressure: 7 Bar

PUMP DATA

Model	Motor		Current (A)	A1 (")	A2 (")	Dimensions (mm)					Weight (Kg)
	kW	HP				W	L	H1	H2	H3	
CMBE 3-62	1.1	1.5	8.2	1	1	221	345	467	239	75	26



KENYA
NAIROBI - HEAD OFFICE
 TEL: (+254 20) 6968 000
headoffice@dayliff.com
NAIROBI - WESTLANDS
 TEL: (+254 20) 444801116,
westlands@dayliff.com
NAIROBI - DOWNTOWN
 TEL: (+254 20) 340102
downtown@dayliff.com
NAIROBI - KAREN
 TEL: (+254 20) 3883513
karen@dayliff.com
THIKA
 TEL: (+254 67) 20084/5
thika@dayliff.com
ELDORET
 TEL: (+254 53) 2061306
eldoret@dayliff.com

NAKURU
 TEL: (+254 51) 2213248
nkroffice@dayliff.com
KISUMU
 TEL: (+254 57) 2024763
ksmoffice@dayliff.com
KISII
 TEL: (+254 58) 2030949
ksii@dayliff.com
NAIVASHA
 TEL: (+254 50) 2030510
naivasha@dayliff.com
MACHAKOS
 TEL: (+254 40) 2021668
maoffice@dayliff.com
MERU
 TEL: (+254 64) 3131033
meru@eld.dayliff.com

GARISSA
 TEL: (+254 46) 2102620
garissa@dayliff.com
KENYA COAST
MOMBASA - Main Office
 TEL: (+254 20) 2040432
d8smsa@dayliff.com
MALINDI
 TEL: (+254 42) 2120425
mdoffice@dayliff.com
DIANI
 TEL: (+254 40) 3202181
dianioffice@dayliff.com
LAMU
 TEL: (+254 20) 265105256
lamu@dayliff.com

NYALI
 TEL: (+254 20) 2443357
d8s@nyali.dayliff.com
VOI
 TEL: (+254 20) 2028284
voi@dayliff.com
ETHIOPIA
ADDIS ABABA
 TEL: (+251 11) 515934144
d8sethiopia@dayliff.com
RWANDA
KIGALI
 TEL: (+250 252) 504039
rwoffice@dayliff.com

UGANDA
KAMPALA - Main Office
 TEL: (+256 414) 346337/8
d8skampala@dayliff.com
KAMPALA - NAKESERO
 TEL: (+256 392) 734633
d8snakasero@dayliff.com
GULU
 TEL: (+256 471) 433041
d8sgulu@dayliff.com
MBARARA
 TEL: (+256 753) 940 080
d8smbarara@dayliff.com

TANZANIA
DAR ES SALAAM - Main Office
 TEL: (+255 22) 21125156
d8sdaressalaam@dayliff.com
DAR ES SALAAM - KARIAKOO
 TEL: (+255 22) 2184867
d8skariakoo@dayliff.com
ARUSHA
 TEL: (+255 27) 2547317/8
arusha@dayliff.com
ZANZIBAR
 TEL: (+255 24) 2234660/1
zanzibar@dayliff.com
MWANZA
 TEL: (+255 28) 2541971/2
d8smwanza@dayliff.com

ZAMBIA
LUSAKA - Main Office
 TEL: (+260 211) 288010/1
d8slusaka@dayliff.com
NDOLA
 TEL: (+260 212) 610936/7
d8sndola@dayliff.com
KITWE
 TEL: (+260 212) 221747/6/7
d8skitwe@dayliff.com
LIVINGSTONE
 TEL: (+260 213) 320002/234
d8slivingstone@dayliff.com
SOUTH SUDAN
JUBA
 TEL: (+211 956) 397 070
juba@dayliff.com