

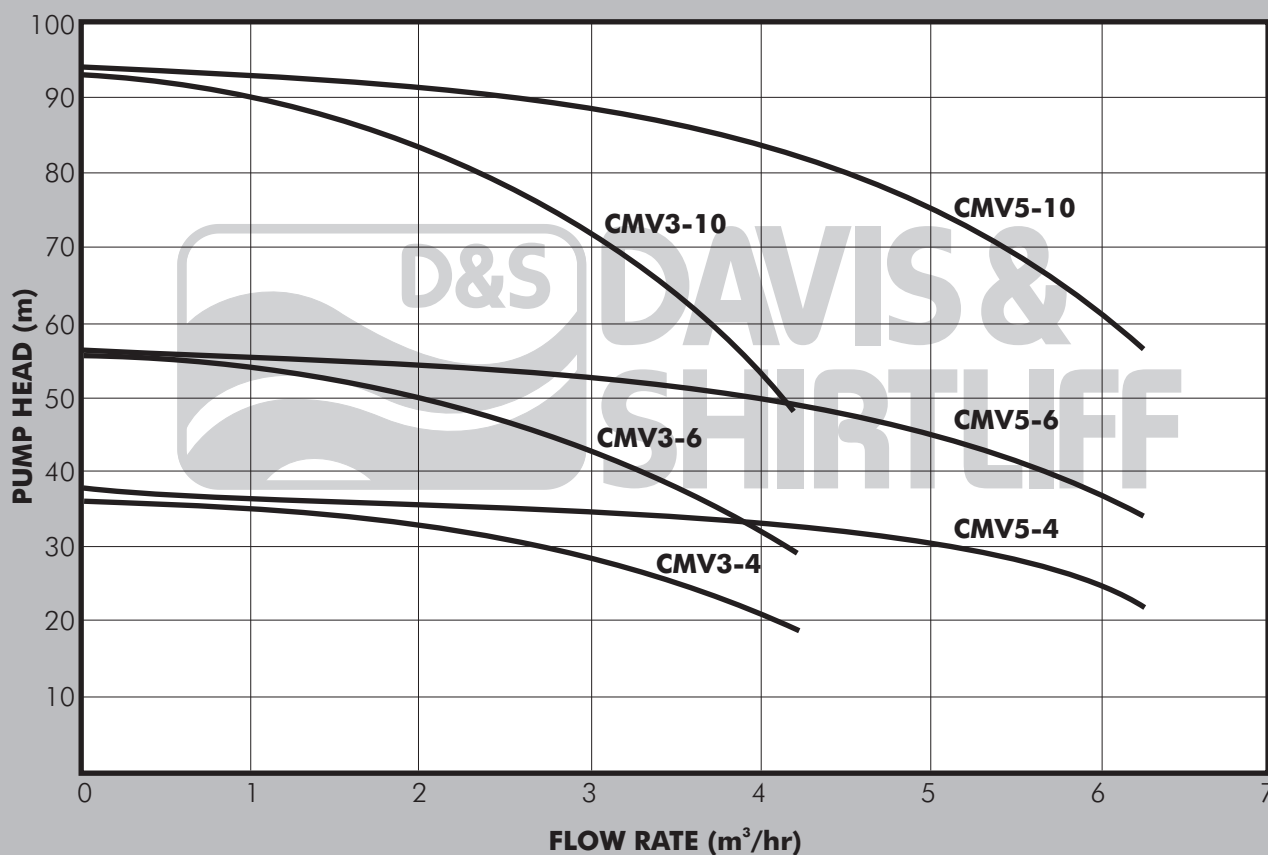
GRUNDFOS®



DATA SHEET

Vertical Multistage
Centrifugal Pumps

CMV



PUMP

The Grundfos CMV range of non-self-priming, vertical multistage centrifugal pumps are low noise industrial quality products suitable for various water transfer duties. Typical applications include water supply, pressure boosting, horticultural irrigation, air conditioning and cooling systems. All vital components including chambers, impellers and the shaft are made from stainless steel and the top and bottom chambers from cast iron. The pump is water lubricated and is provided with a carbon/ceramic mechanical shaft seal.

MOTOR

The pump is fitted with a Grundfos two pole totally enclosed fan cooled squirrel-cage motor. The motors should be connected to a DOL starter in accordance with local regulations.

Enclosure Class: IP55 **Insulation Class:** F **Speed** 2900rpm **Voltage:** 3x415V

OPERATING CONDITIONS

Pumped liquids: Thin, clean, non-aggressive and non-explosive liquids without solid particles or fibres.

Max. Liquid temperature: +90°C

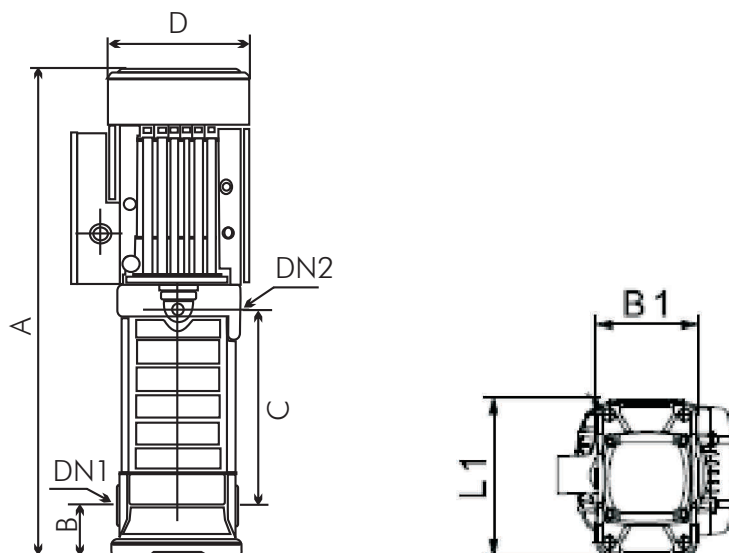
Max. Ambient temperature: +55°C

Max. Suction lift: According to the NPSH curve plus a safety margin of 1.0m

Max. Operating pressure: 10 bar

PUMP DATA

Model	Output Power (kW)	Current (A)	Dimensions (mm)								Weight (kg)
			DN1	DN2	A	B	C	D	L ₁	B ₁	
CMV3-4	0.46	1.2	1"	1"	363	50	112	142	191	126	15.4
CMV3-6	0.65	1.8	1"	1"	399	50	147	142	191	126	16.6
CMV3-10	1.2	3	1"	1"	532	50	220	178	191	126	21.8
CMV5-4	0.85	2.2	1 1/4"	1"	403	50	112	142	191	126	19.6
CMV5-6	1.2	3	1 1/4"	1"	459	50	147	142	191	126	20.2
CMV5-10	2.2	4.7	1 1/4"	1"	603	50	207	178	191	126	32



All dimensions in mm

© Davis & Shirtliff 2014. Contents herein are not warranted. The right is reserved to amend specifications without notice. www.davisandshirtliff.com

GR224B-09/13

KENYA

NAIROBI - HEAD OFFICE
TEL: (+254 20) 6968 000
headoffice@dayliff.com
NAIROBI - WESTLANDS
TEL: (+254 20) 44480116,
westlands@dayliff.com
NAIROBI - DOWNTOWN
TEL: (+254 20) 340102
downtown@dayliff.com
NAIROBI - KAREN
TEL: (+254 20) 3883513
karen@dayliff.com
THIKA
TEL: (+254 67) 20084/5
thika@dayliff.com
ELDORET
TEL: (+254 53) 2061306
eldoret@dayliff.com

NAKURU

TEL: (+254 51) 2213248
nakuruoffice@dayliff.com
KISUMU
TEL: (+254 57) 2024763
ksumoffice@dayliff.com
KISII
TEL: (+254 58) 2030949
kisi@dayliff.com
NAIVASHA
TEL: (+254 50) 2030510
naivasha@dayliff.com
MACHAKOS
TEL: (+254 40) 2021668
naivasha@dayliff.com
MERU
TEL: (+254 64) 3131033
meru@eld.dayliff.com

GARISSA

TEL: (+254 46) 2102620
garissa@dayliff.com
KENYA COAST
MOMBASA - Main Office
TEL: (+254 20) 2040432
d&smasa@dayliff.com
MALINDI
TEL: (+254 42) 2120425
mldoffice@dayliff.com
DIANI
TEL: (+254 40) 3202181
dianioffice@dayliff.com
LAMU
TEL: (+254 20) 265105256
lamu@dayliff.com

NYALI

TEL: (+254 20) 2443357
d&snlyali.dayliff.com
VOI
TEL: (+254 20) 2028284
voi@dayliff.com
ETHIOPIA
ADDIS ABABA
TEL: (+251 11) 515934144
d&sethiopia@dayliff.com
RWANDA
KIGALI
TEL: (+250 252) 504039
rwoffice@dayliff.com

UGANDA

KAMPALA - Main Office
TEL: (+256 414) 3463378
d&skampala@dayliff.com
KAMPALA - NAKESERO
TEL: (+256 392) 734633
d&snakesero@dayliff.com
GULU
TEL: (+256 471) 433041
d&sgulu@dayliff.com
MBARARA
TEL: (+256 753) 940 080
d&smbarara@dayliff.com

TANZANIA

DAR ES SALAAM - Main Office
TEL: (+255 22) 21125156
d&sdar salaam@dayliff.com
DAR ES SALAAM - KARIAKOO
TEL: (+255 22) 2184867
d&skariakoo@dayliff.com
ARUSHA
TEL: (+255 27) 2547317/8
arusha@dayliff.com
ZANZIBAR
TEL: (+255 24) 2234660/1
zanzibar@dayliff.com
MWANZA
TEL: (+255 28) 2541971/2
d&smwanza@dayliff.com

ZAMBIA

LUSAKA - Main Office
TEL: (+260 211) 288010/1
d&slusaka@dayliff.com
NDOLA
TEL: (+260 212) 610936/7
d&sndola@dayliff.com
KITWE
TEL: (+260 212) 221747/67
d&skitwe@dayliff.com
LIVINGSTONE
TEL: (+260 213) 320002/234
d&slivingstone@dayliff.com
SOUTH SUDAN
JUBA
TEL: (+211 956) 397 070
juba@dayliff.com