

# GRUNDFOS®

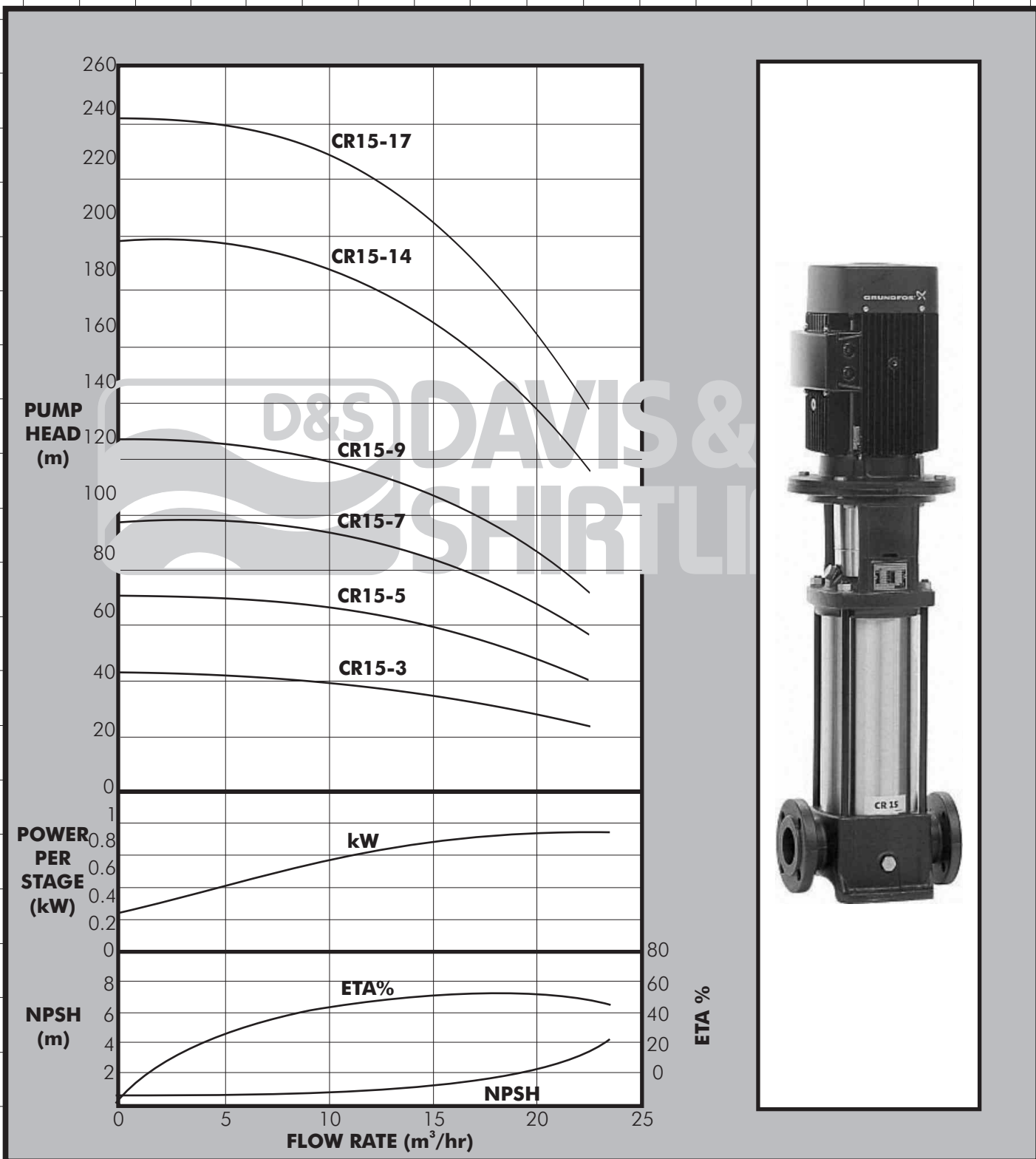
MADE IN DENMARK



## DATA SHEET

Vertical Multistage  
Centrifugal Pumps

## CR 15



## PUMP

The GRUNDFOS CR pump range are of vertical multistage in-line centrifugal design suitable for a wide range of water supply, irrigation, liquid transfer and boosting applications. The pumps are of heavy duty construction and are designed for continuous duty in commercial and industrial installations. All vital components including the impellers, intermediate chambers and shaft are made from stainless steel and the top and bottom housings from cast iron. The pump is water lubricated and is provided with a tungsten carbide faced mechanical shaft seal.

For aggressive liquids the 'N' version is available which features stainless steel top and bottom pump housings.

## MOTOR

The pumps are coupled to a totally enclosed fan cooled 2-pole GRUNDFOS motor complying with IEC & DIN standards. All motors must be connected to an effective motor starter in accordance with local regulations.

**Enclosure Class:** IP55    **Insulation Class:** F    **Voltage:** 3x380-415 V    **Speed:** 2900 rpm

## OPERATING CONDITIONS

**Pumped liquids:** Thin, clean, non-aggressive and non-explosive liquids without solid particles or fibres.

**Liquid Temperature Range:** - 20°C to +120°C

**Max Ambient Temperature:** +40°C

**Max Suction Lift:** According to the NPSH curve plus a safety margin of 1 m.

**Max Operating Pressure:** Models up to CR 15-7 - 10 Bar, CR 15-9 - 16Bar  
CR 15-14 and CR 15-17 - 25 Bar

## ELECTRICAL DATA

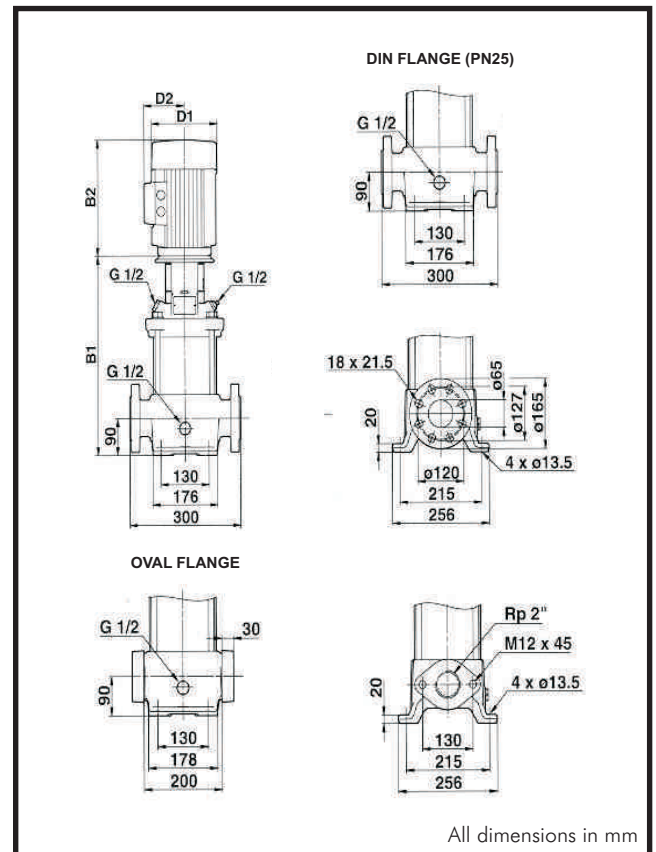
Pump Type	Motor		Full Load Current (A)	I start I
	kW	HP		
CR 15-3	3	4	6.4	8.3
CR 15-5	4	5.5	8	9.1
CR 15-7	5.5	7.5	11	9.3
CR 15-9	7.5	10	15.2	9.5
CR 15-12	11	15	21.5	7.7
CR 15-17	15	20	28.7	6

## DIMENSIONS AND WEIGHTS

Pump Type	Dimensions (mm)						Weight (kgs)
	B <sub>1</sub>	B <sub>2</sub>	B <sub>1</sub> +B <sub>2</sub>	D <sub>1</sub>	D <sub>2</sub>	D <sub>3</sub>	
CR 15-3*	465	335	800	220	120	-	54
CR 15-5*	555	372	927	220	134	-	67
CR 15-7*	677	391	1068	220	134	300	91
CR 15-9**	767	391	1158	260	134	300	97
CR 15-12**	979	464	1443	306	172	352	130
CR 15-17**	1204	478	1682	306	197	352	155

\* CR15 with oval flanges

\*\*CR15 with DIN flanges



All dimensions in mm

**KENYA**  
NAIROBI - HEAD OFFICE  
TEL: (+254 20) 6968 000  
headoffice@dayliff.com  
NAIROBI - WESTLANDS  
TEL: (+254 20) 44480116,  
westlands@dayliff.com  
NAIROBI - DOWNTOWN  
TEL: (+254 20) 340102  
downtown@dayliff.com  
NAIROBI - KAREN  
TEL: (+254 20) 3883513  
karen@dayliff.com  
THIKA  
TEL: (+254 67) 20084/5  
thika@dayliff.com  
ELDORET  
TEL: (+254 53) 2061906  
eldoret@dayliff.com

**NAKURU**  
TEL: (+254 51) 2213248  
nakuru@dayliff.com  
**KISUMU**  
TEL: (+254 57) 2024763  
ksumoffice@dayliff.com  
**KISII**  
TEL: (+254 58) 2030949  
kisi@dayliff.com  
**NAIVASHA**  
TEL: (+254 50) 2030510  
naivasha@dayliff.com  
**MACHAKOS**  
TEL: (+254 40) 2021668  
machakos@dayliff.com  
**MERU**  
TEL: (+254 64) 3131033  
meru@dayliff.com

**GARISSA**  
TEL: (+254 46) 2102620  
garissa@dayliff.com  
**KENYA COAST**  
**MOMBASA - Main Office**  
TEL: (+254 20) 2040432  
d&smasa@dayliff.com  
**MALINDI**  
TEL: (+254 42) 2120425  
mldoffice@dayliff.com  
**DIANI**  
TEL: (+254 40) 3202181  
dianioffice@dayliff.com  
**LAMU**  
TEL: (+254 20) 2651052/56  
lamu@dayliff.com

**NYALI**  
TEL: (+254 20) 2443357  
d&snali@dayliff.com  
**VOI**  
TEL: (+254 20) 2028284  
voi@dayliff.com  
**ETHIOPIA**  
**ADDIS ABABA**  
TEL: (+251 11) 5159341/44  
d&sethiopia@dayliff.com  
**RWANDA**  
**KIGALI**  
TEL: (+254 252) 504039  
rwoffice@dayliff.com

**UGANDA**  
**KAMPALA - Main Office**  
TEL: (+256 414) 346337/8  
d&skampala@dayliff.com  
**KAMPALA - NAKESERO**  
TEL: (+256 392) 734633  
d&skakesero@dayliff.com  
**GULU**  
TEL: (+256 471) 433041  
d&sgulu@dayliff.com  
**MBARARA**  
TEL: (+256 753) 940 080  
d&smbarara@dayliff.com

**TANZANIA**  
**DAR ES SALAAM - Main Office**  
TEL: (+255 22) 2112515/6  
d&sdarressalaam@dayliff.com  
**DAR ES SALAAM - KARIAKOO**  
TEL: (+255 22) 2184867  
d&skariakoo@dayliff.com  
**ARUSHA**  
TEL: (+255 27) 2547317/8  
arussha@dayliff.com  
**ZANZIBAR**  
TEL: (+255 24) 2234660/1  
zanzibar@dayliff.com  
**MWANZA**  
TEL: (+255 28) 2541971/2  
d&smwanza@dayliff.com

**ZAMBIA**  
**LUSAKA - Main Office**  
TEL: (+260 211) 288010/1  
d&slusaka@dayliff.com  
**NDOLA**  
TEL: (+260 212) 610936/7  
d&sndola@dayliff.com  
**KITWE**  
TEL: (+260 212) 221747/67  
d&skitwe@dayliff.com  
**LIVINGSTONE**  
TEL: (+260 213) 320002/234  
d&slivingstone@dayliff.com  
**SOUTH SUDAN**  
**JUBA**  
TEL: (+211 956) 397 070  
juba@dayliff.com