

GRUNDFOS®

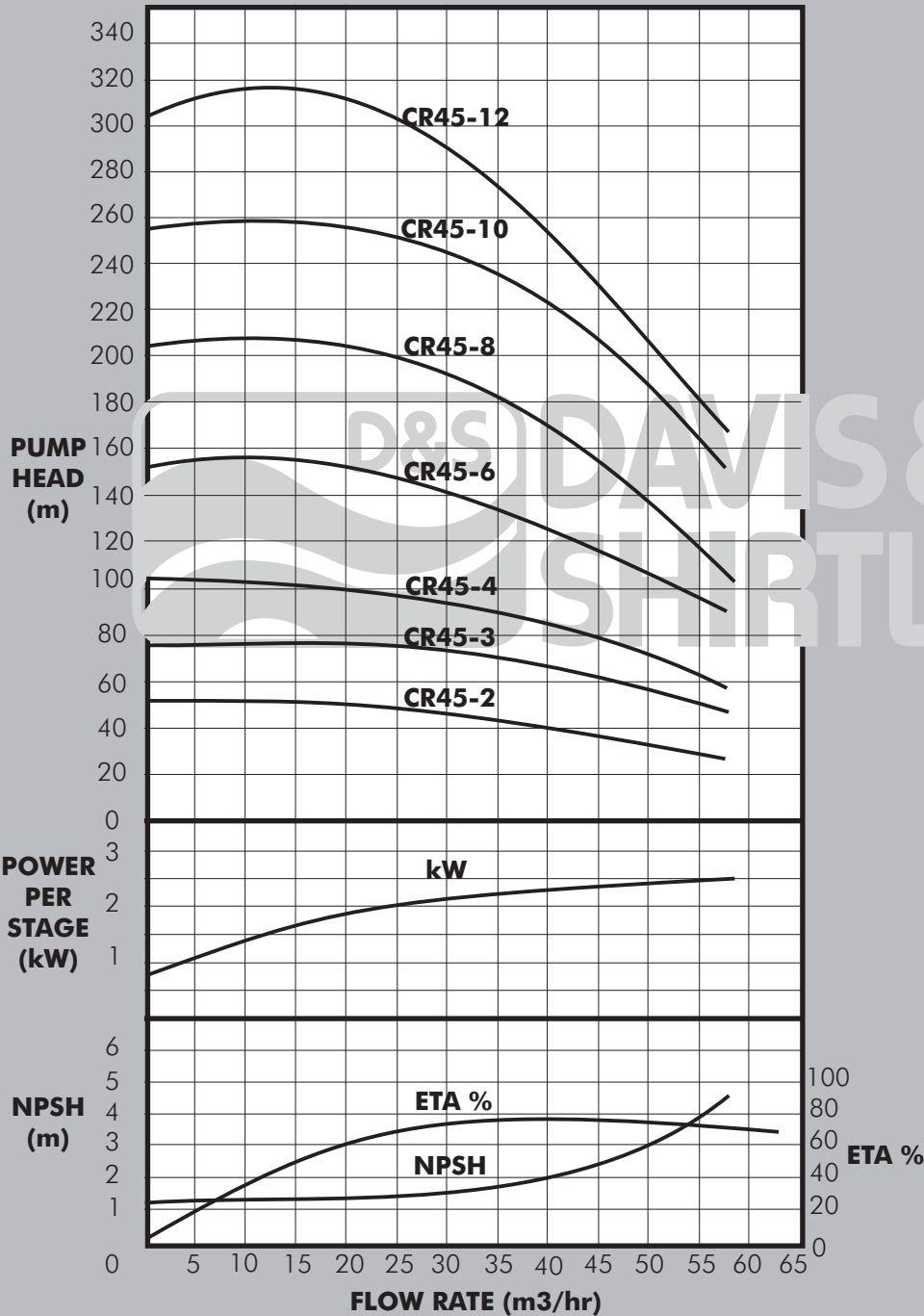
MADE IN DENMARK



DATA SHEET

Vertical Multistage Centrifugal Pumps

CR 45



PUMP

The GRUNDFOS CR pump range are of vertical multistage in-line centrifugal design suitable for a wide range of water supply, irrigation, liquid transfer and boosting applications. The pumps are of heavy duty construction and are designed for continuous duty in commercial and industrial installations. All vital components including the impellers, intermediate chambers and shaft are made from stainless steel and the top and bottom housings from cast iron. The pump is water lubricated and is provided with a tungsten carbide faced mechanical shaft seal.

For aggressive liquids the 'N' version is available which features stainless steel top and bottom pump housings.

MOTOR

Pumps are coupled to totally enclosed fan cooled 2-pole GRUNDFOS motors which must be connected to an effective motor starter in accordance with local regulations.

Enclosure Class: IP55 **Insulation Class:** F **Speed:** 2900rpm **Voltage:** 3 x 380-415V

OPERATING CONDITIONS

Pumped liquids: Thin, clean, non-aggressive and non-explosive liquids without solid particles or fibres.

Liquid Temperature Range: -30°C to +120°C

Max Ambient Temperature: +40°C

Max Suction Lift: According to the NPSH curve plus a safety margin of 1 m.

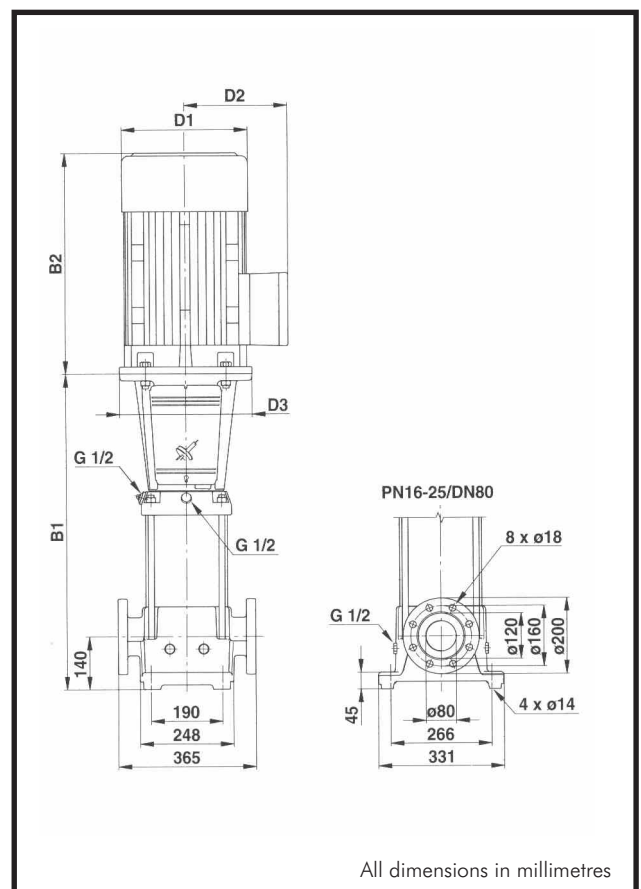
Max Operating Pressure: Models up to CR 45-4-16Bar, CR 45-6 & CR45-8-25Bar, CR45-10 & CR 45-12- 40 Bar

ELECTRICAL DATA

Model	Motor		Full Load Current (A)	I _{start} I
	kW	HP		
CR 45-2	7.5	10	15	11.1
CR 45-3	11	15	21	8.0
CR 45-4	15	20	27	7.0
CR 45-5	18.5	25	32	7.0
CR 45-6	22	30	39	7.2
CR 45-8	30	40	53	7.0
CR 45-10	37	50	64	7.2
CR 45-12	45	60	77	7.3

DIMENSIONS AND WEIGHTS

Model	Dimensions (mm)						Weight (kgs)
	B1	B2	B1+B2	D1	D2	D3	
CR 45-2	639	391	1030	220	134	298	106
CR 45-3	829	499	1328	260	172	350	144
CR 45-4	909	478	1387	320	197	350	166
CR 45-5	989	518	1507	320	197	350	177
CR 45-6	1069	610	1679	363	262	350	269
CR 45-8	1229	646	1875	415	300	400	328
CR 45-10	1389	703	2092	415	300	400	367
CR 45-12	1549	709	2250	442	325	450	455



All dimensions in millimetres

© Davis & Shirliff 2014. Contents herein are not warranted. The right is reserved to amend specifications without notice. www.davisandshirliff.com

GR24C-07/07

KENYA
NAIROBI - HEAD OFFICE
 TEL: (+254 20) 6968 000
 headoffice@dayliff.com
NAIROBI - WESTLANDS
 TEL: (+254 20) 44480116,
 westlands@dayliff.com
NAIROBI - DOWNTOWN
 TEL: (+254 20) 340102
 downtown@dayliff.com
NAIROBI - KAREN
 TEL: (+254 20) 3883513
 karen@dayliff.com
THIKA
 TEL: (+254 67) 20084/5
 thika@dayliff.com
ELDORET
 TEL: (+254 53) 2061306
 eldoret@dayliff.com

NAKURU
 TEL: (+254 51) 2213248
 nakuru@dayliff.com
KISUMU
 TEL: (+254 57) 2024763
 ksmoffice@dayliff.com
KISII
 TEL: (+254 58) 2030949
 kisi@dayliff.com
NAIVASHA
 TEL: (+254 50) 2030510
 naivasha@dayliff.com
MACHAKOS
 TEL: (+254 40) 2021668
 naivasha@dayliff.com
MERU
 TEL: (+254 64) 3131033
 meru@dayliff.com

GARISSA
 TEL: (+254 46) 2102620
 garissa@dayliff.com
KENYA COAST
MOBASA - Main Office
 TEL: (+254 20) 2040432
 d&smbsa@dayliff.com
MALINDI
 TEL: (+254 42) 2120425
 mloffice@dayliff.com
DIANI
 TEL: (+254 40) 3202181
 dianioffice@dayliff.com
LAMU
 TEL: (+254 20) 265105256
 lamu@dayliff.com

NYALI
 TEL: (+254 20) 2443357
 d&snlyali@dayliff.com
VOI
 TEL: (+254 20) 2028284
 voi@dayliff.com
ETHIOPIA
ADDIS ABABA
 TEL: (+251 11) 515934144
 d&sethiopia@dayliff.com
RWANDA
KIGALI
 TEL: (+250 252) 504039
 rwoffice@dayliff.com

UGANDA
KAMPALA - Main Office
 TEL: (+256 414) 3463378
 d&skampala@dayliff.com
KAMPALA - NAKESERO
 TEL: (+256 392) 734633
 d&snakesero@dayliff.com
GULU
 TEL: (+256 471) 433041
 d&sgulu@dayliff.com
MBARARA
 TEL: (+256 753) 940 080
 d&smbarara@dayliff.com

TANZANIA
DAR ES SALAAM - Main Office
 TEL: (+255 22) 21125156
 d&sdarressalaam@dayliff.com
DAR ES SALAAM - KARIAKOO
 TEL: (+255 22) 2184867
 d&skariakoo@dayliff.com
ARUSHA
 TEL: (+255 27) 25473178
 arusha@dayliff.com
ZANZIBAR
 TEL: (+255 24) 2234660/1
 zanzibar@dayliff.com
MWANZA
 TEL: (+255 28) 2541971/2
 d&smwanza@dayliff.com

ZAMBIA
LUSAKA - Main Office
 TEL: (+260 211) 288010/1
 d&slusaka@dayliff.com
NDOLA
 TEL: (+260 212) 610936/7
 d&sndola@dayliff.com
KITWE
 TEL: (+260 212) 221747/67
 d&skitwe@dayliff.com
LIVINGSTONE
 TEL: (+260 213) 32002/234
 d&slivingstone@dayliff.com
SOUTH SUDAN
JUBA
 TEL: (+211 956) 397 070
 juba@dayliff.com