

GRUNDFOS®

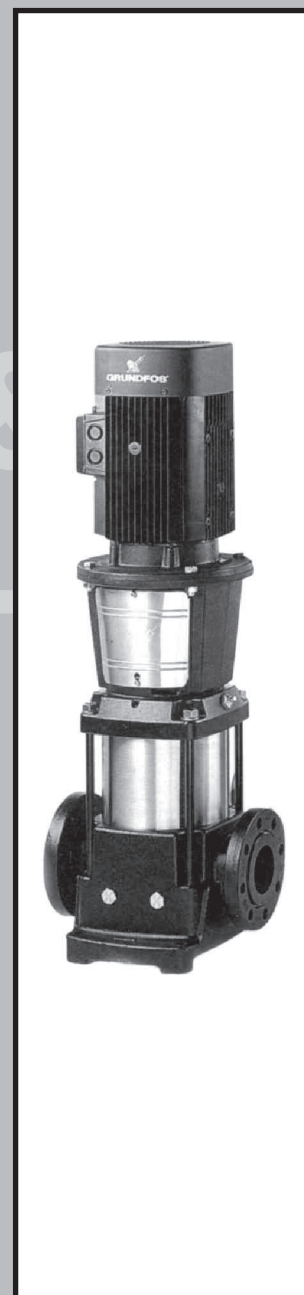
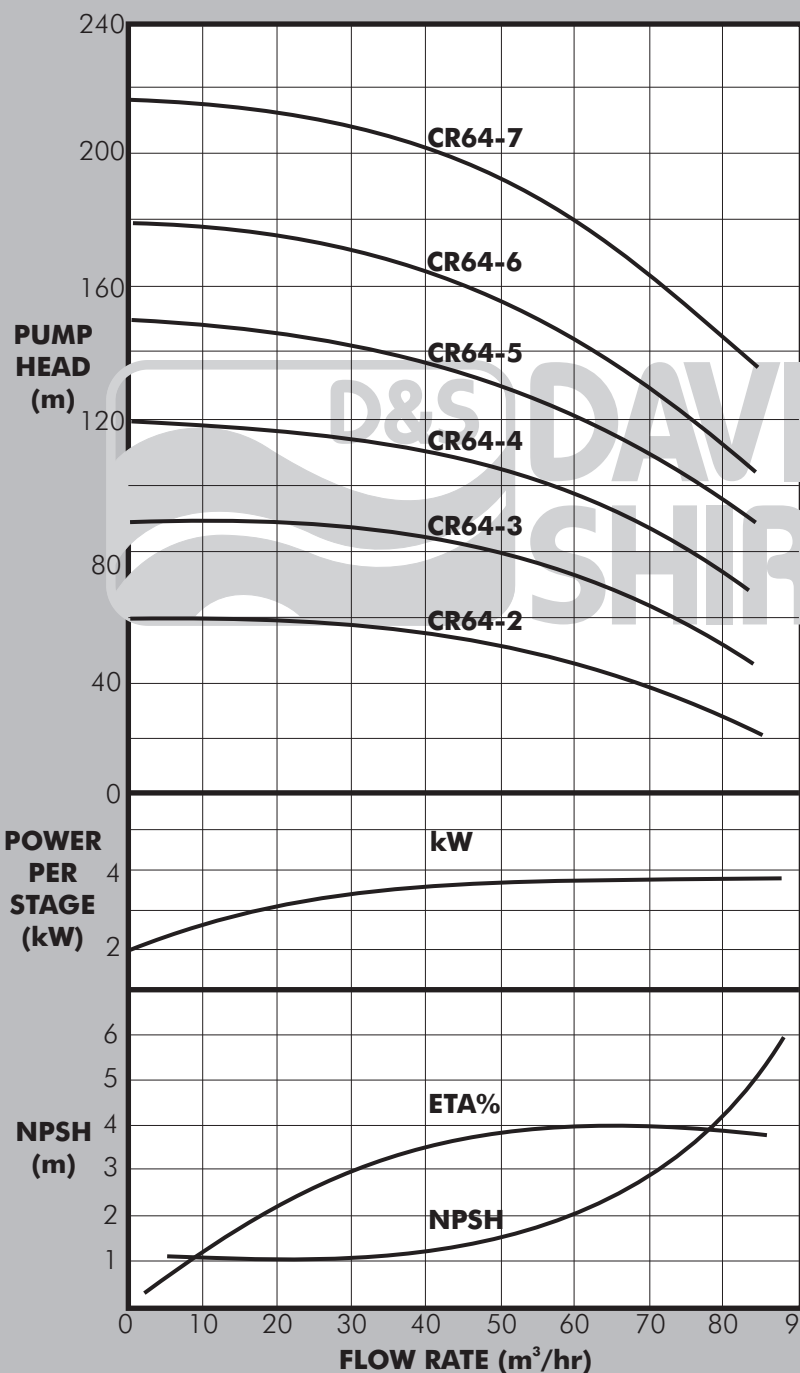
MADE IN DENMARK



DATA SHEET

Vertical Multistage
Centrifugal Pumps

CR 64



PUMP

The GRUNDFOS CR pump range are of vertical multistage in-line centrifugal design suitable for a wide variety of water supply, irrigation, liquid transfer and boosting applications. The pumps are of heavy duty construction and are designed for continuous duty in commercial and industrial installations. All vital components including the impellers, intermediate chambers and shaft are made from stainless steel and the top and bottom housings from cast iron. The pump is water lubricated and is provided with a tungsten carbide faced mechanical shaft seal.

For aggressive liquids the 'N' version is available which features stainless steel top and bottom pump housings.

MOTOR

Pumps are coupled to totally enclosed fan cooled 2-pole GRUNDFOS motors which must be connected to an effective motor starter in accordance with local regulations.

Enclosure Class: IP55 **Insulation Class:** F **Speed:** 2900rpm **Voltage:** 3 x 380-415V

OPERATING CONDITIONS

Pumped liquids: Thin, clean, non-aggressive and non-explosive liquids without solid particles or fibres.

Liquid Temperature Range: -30°C to +120°C

Max Ambient Temperature: +40°C

Max Suction Lift: According to the NPSH curve plus a safety margin of 1m.

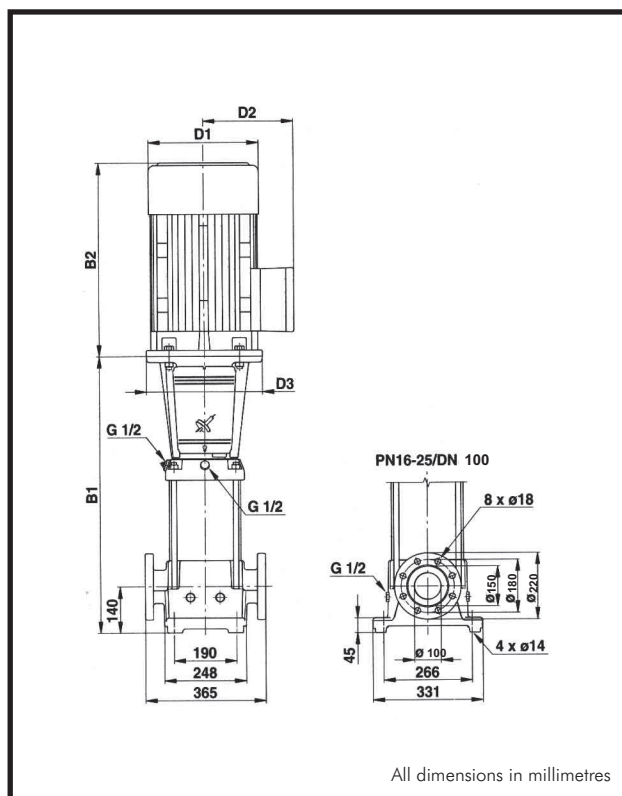
Max Operating Pressure: Models up to CR64-5 - 16Bar, CR64-6 & CR64-7- 25 Bar

ELECTRICAL DATA

Model	Motor		Full Load Current (A)	I start I
	kW	HP		
CR 64-2	11	15	22	7.7
CR 64-3	18.5	25	32	7.0
CR 64-4	22	30	39	7.2
CR 64-5	30	40	53	7.0
CR 64-6	37	50	64	7.2
CR 64-7	45	60	77	7.3

DIMENSIONS AND WEIGHTS

Model	Dimensions (mm)						Weight (kg)
	B1	B2	B1+B2	D1	D2	D3	
CR 64-2	754	499	1218	260	172	350	158
CR 64-3	836	508	1314	320	197	350	205
CR 64-4	919	610	1519	363	262	350	262
CR 64-5	1001	646	1668	415	300	400	345
CR 64-6	1084	703	1751	415	300	400	370
CR 64-7	1166	709	1881	442	325	450	438



KENYA
NAIROBI - HEAD OFFICE
 TEL: (+254 20) 6968 000
headoffice@dayliff.com
NAIROBI - WESTLANDS
 TEL: (+254 20) 44480116,
westlands@dayliff.com
NAIROBI - DOWNTOWN
 TEL: (+254 20) 340102
downtown@dayliff.com
NAIROBI - KAREN
 TEL: (+254 20) 3883513
karen@dayliff.com
THIKA
 TEL: (+254 67) 20084/5
thika@dayliff.com
ELDORET
 TEL: (+254 53) 2061306
eldoret@dayliff.com

NAKURU
 TEL: (+254 51) 2213248
nkroffice@dayliff.com
KISUMU
 TEL: (+254 57) 2024763
ksmoffice@dayliff.com
KISII
 TEL: (+254 58) 2030949
kisii@dayliff.com
NAIVASHA
 TEL: (+254 50) 2030510
naivasha@dayliff.com
MACHAKOS
 TEL: (+254 40) 2021668
machakos@dayliff.com
MERU
 TEL: (+254 64) 3131033
meru@dayliff.com

GARISSA
 TEL: (+254 46) 2102620
garissa@dayliff.com
KENYA COAST
MOMBASA - Main Office
 TEL: (+254 20) 2040432
dsmmsa@dayliff.com
MALINDI
 TEL: (+254 42) 2120425
mlidoffice@dayliff.com
DIANI
 TEL: (+254 40) 3202181
dianioffice@dayliff.com
LAMU
 TEL: (+254 20) 265105256
lamu@dayliff.com

NYALI
 TEL: (+254 20) 2443357
d8s@nyali.dayliff.com
VOI
 TEL: (+254 20) 2028284
voi@dayliff.com
ETHIOPIA
ADDIS ABABA
 TEL: (+251 11) 515934144
d8sethiopia@dayliff.com
RWANDA
KIGALI
 TEL: (+250 252) 504039
rwoffice@dayliff.com

UGANDA
KAMPALA - Main Office
 TEL: (+256 414) 3463378
d8skampala@dayliff.com
KAMPALA - NAKESERO
 TEL: (+256 392) 734633
d8snakesero@dayliff.com
GULU
 TEL: (+256 471) 433041
d8sgulu@dayliff.com
MBARARA
 TEL: (+256 753) 940 080
d8smbarara@dayliff.com

TANZANIA
DAR ES SALAAM - Main Office
 TEL: (+256 211) 2125156
d8sdar salaam@dayliff.com
DAR ES SALAAM - KARIAKOO
 TEL: (+256 22) 2184867
d8skariakoo@dayliff.com
ARUSHA
 TEL: (+256 27) 2547317/8
arussha@dayliff.com
ZANZIBAR
 TEL: (+256 24) 2234660/1
zanzibar@dayliff.com
MWANZA
 TEL: (+256 28) 2541971/2
d8smwanza@dayliff.com

ZAMBIA
LUSAKA - Main Office
 TEL: (+260 211) 288010/1
d8slusaka@dayliff.com
NDOLA
 TEL: (+260 212) 610936/7
d8sndola@dayliff.com
KITWE
 TEL: (+260 212) 221747/67
d8skitwe@dayliff.com
LIVINGSTONE
 TEL: (+260 213) 320002/234
d8slivingstone@dayliff.com
SOUTH SUDAN
JUBA
 TEL: (+211 956) 397 070
juba@dayliff.com