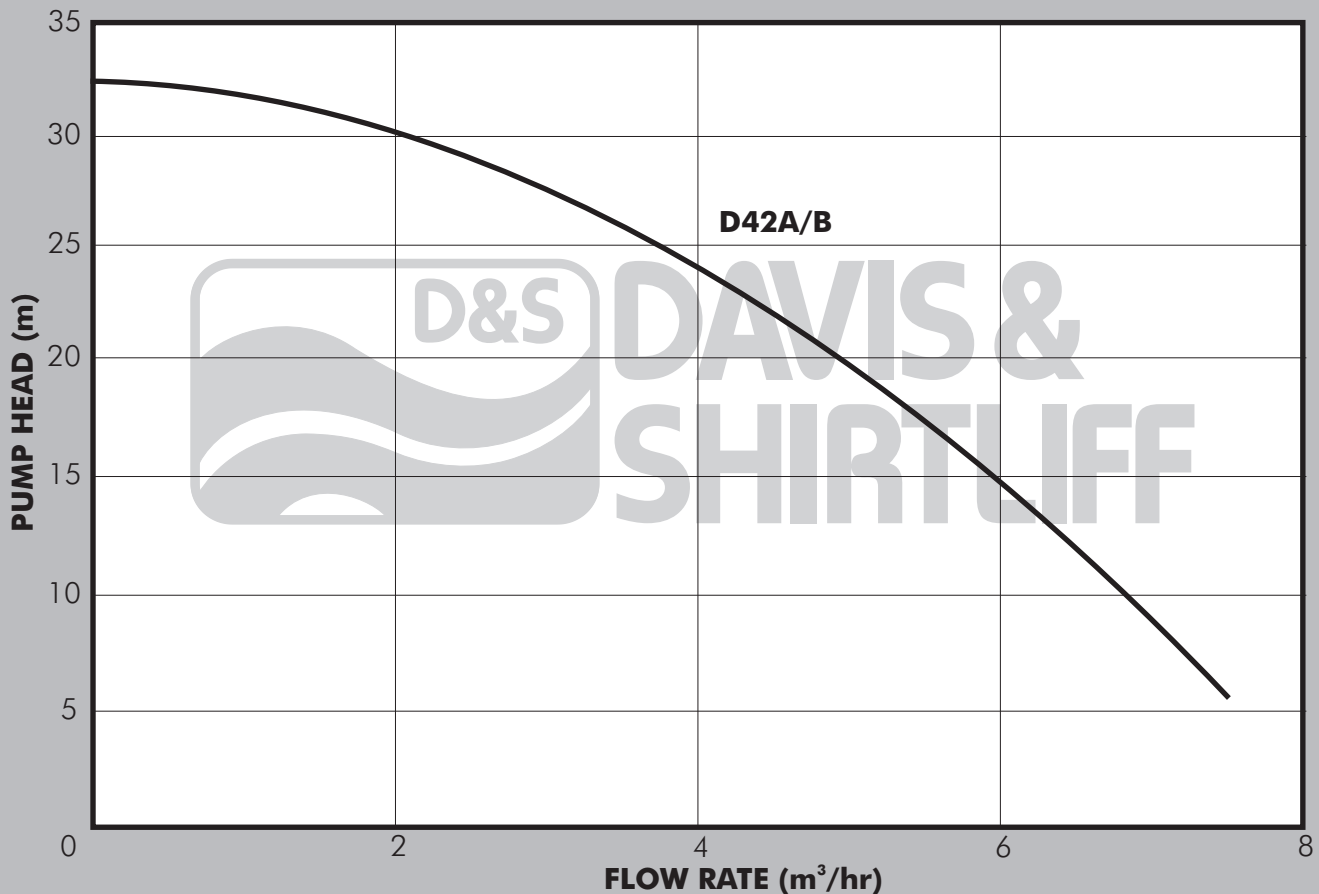


DAVEY

DATA SHEET

Submersible
Drainage Pump

D42A/B



PUMP

The D42A/B is a submersible transfer pump particularly suited for water supply applications including delivery from wells and storage tanks where increased delivery pressures are required. The pump is fitted with twin closed vane impellers and the design includes a number of innovative features, notably double mechanical seals for increased reliability and floating neck rings for improved pump performance. The pump is also especially resistant to corrosion with the pump casing, impeller and diffuser made from engineering plastics and other exposed components from 316 stainless steel.

All pumps are supplied complete with a low level control float switch and 6m of power cable.

MOTOR

Pumps are provided with integral liquid cooled non-overloading induction motors designed for continuous operation. A thermal cut-out is provided in the motor windings to protect against overload and the pump can be connected directly to mains power supply through a 10A fuse or MCB.

Enclosure Class: IPX8 **Insulation Class:** F **Voltage:** 1x240v **Speed:** 2850rpm

OPERATING CONDITIONS

Pumped liquid: Thin clean chemically neutral water containing up to 1% solids of maximum 2mm diameter.

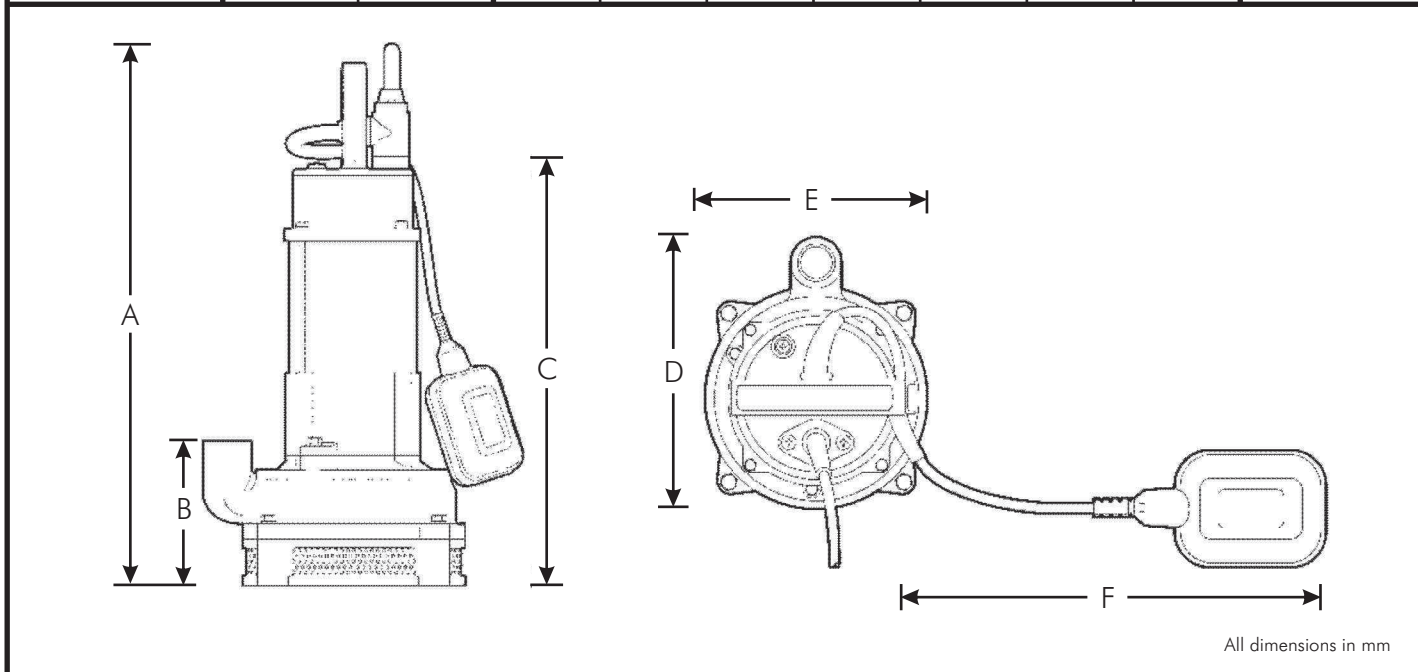
Max Fluid Temperature: +40°C

Max Operating depth: 12m

Min Immersion depth: 400mm

PUMP DATA

Pump	Motor		Dimensions (mm)							Weight (kg)
	kW	Max Current	Outlet	A	B	C	D	E	F	
D42A/B	0.6	4A	1" F	475	130	370	235	195	330	18.5



KENYA
NAIROBI - HEAD OFFICE
 TEL: (+254 20) 6968 000
headoffice@dayliff.com
NAIROBI - WESTLANDS
 TEL: (+254 20) 44480116,
westlands@dayliff.com
NAIROBI - DOWNTOWN
 TEL: (+254 20) 340102
downtown@dayliff.com
NAIROBI - KAREN
 TEL: (+254 20) 3883513
karen@dayliff.com
THIKA
 TEL: (+254 67) 20084/5
thika@dayliff.com
ELDORET
 TEL: (+254 53) 2061306
eldoret@dayliff.com

NAKURU
 TEL: (+254 51) 2213248
nakuruoffice@dayliff.com
KISUMU
 TEL: (+254 57) 2024763
ksumoffice@dayliff.com
KISII
 TEL: (+254 58) 2030949
kisii@dayliff.com
NAIVASHA
 TEL: (+254 50) 2030510
naivasha@dayliff.com
MACHAKOS
 TEL: (+254 40) 2021668
machakosoffice@dayliff.com
MERU
 TEL: (+254 64) 3131033
meru@dayliff.com

GARISSA
 TEL: (+254 46) 2102620
garissa@dayliff.com
KENYA COAST
MOBASA - Main Office
 TEL: (+254 20) 2040432
dsmbsa@dayliff.com
MALINDI
 TEL: (+254 42) 2120425
midoffice@dayliff.com
DIANI
 TEL: (+254 40) 3202181
dianioffice@dayliff.com
LAMU
 TEL: (+254 20) 265105256
lamu@dayliff.com

NYALI
 TEL: (+254 20) 2443357
d8s@nyali.dayliff.com
VOI
 TEL: (+254 20) 2028284
voi@dayliff.com
ETHIOPIA
ADDIS ABABA
 TEL: (+251 11) 5159341/44
d8sethiopia@dayliff.com
RWANDA
KIGALI
 TEL: (+250 252) 504039
rwoffice@dayliff.com

UGANDA
KAMPALA - Main Office
 TEL: (+256 414) 346337/8
d8skampala@dayliff.com
KAMPALA - NAKESERO
 TEL: (+256 392) 734633
d8snakasero@dayliff.com
GULU
 TEL: (+256 471) 433041
d8sgulu@dayliff.com
MBARARA
 TEL: (+256 753) 940 080
d8smbarara@dayliff.com

TANZANIA
DAR ES SALAAM - Main Office
 TEL: (+255 22) 2112515/6
d8sdarressalaam@dayliff.com
DAR ES SALAAM - KARIAKOO
 TEL: (+255 22) 2184867
d8skariakoo@dayliff.com
ARUSHA
 TEL: (+255 27) 2547317/8
arusaha@dayliff.com
ZANZIBAR
 TEL: (+255 24) 2234660/1
zanzibar@dayliff.com
MWANZA
 TEL: (+255 28) 2541971/2
d8smwanza@dayliff.com

ZAMBIA
LUSAKA - Main Office
 TEL: (+260 211) 288010/1
d8slusaka@dayliff.com
NDOLA
 TEL: (+260 212) 610936/7
d8sndola@dayliff.com
KITWE
 TEL: (+260 212) 221747/67
d8skitwe@dayliff.com
LIVINGSTONE
 TEL: (+260 213) 320002/234
d8slivingstone@dayliff.com
SOUTH SUDAN
JUBA
 TEL: (+211 956) 397 070
juba@dayliff.com