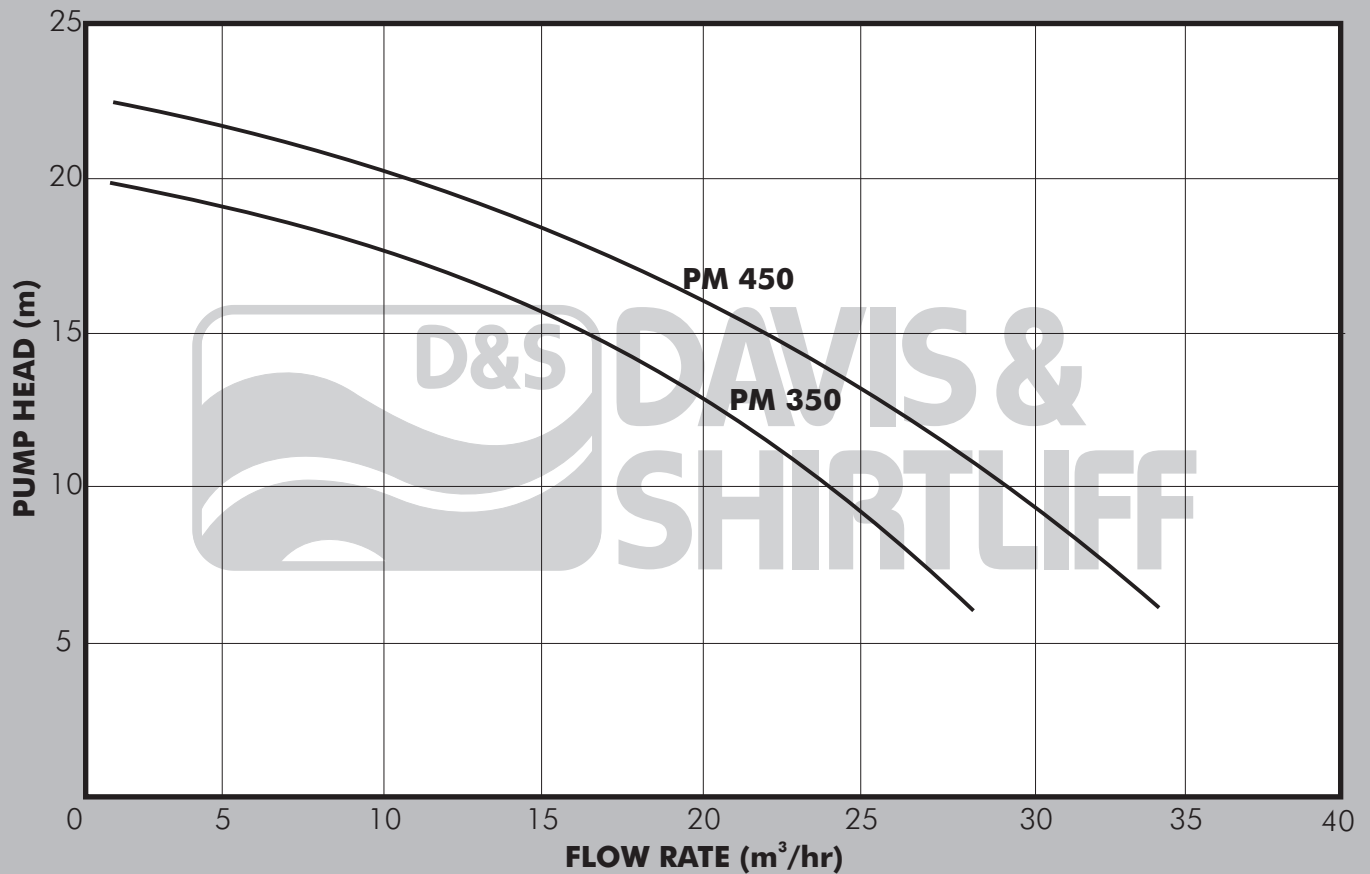


DAVEY

DATA SHEET

Swimming
Pool Pumps

PM



PUMP

DAVEY PM centrifugal impeller type pool pumps are specially designed for heavy duty applications, particularly institutional and commercial swimming pools. Features include built-in check valve, quick connect couplings for simple installation, extra large line strainer with see through lid and computer designed impeller and diffuser for high efficiency, excellent priming performance and quiet operation.

All pump components are made from glass filled plastics.

MOTOR

The pump is fitted with an integral DAVEY 'large frame' TEFC heavy duty motor designed to match the pump output. Features include front mounted fan for improved cooling and motor protection in the event of seal leakage, heavy duty bearings and a corrosion protected aluminium casing. The motor is provided with an in-built automatic re-start thermal relay for protection against electrical and mechanical overload and can be connected directly to a power supply through a 13amp fuse or MCB.

Enclosure Class: IP56

Insulation Class: F

Speed: 2900rpm

OPERATING CONDITIONS

Pumped liquid: Thin, clean, chemically non aggressive liquids without solids or fibres.

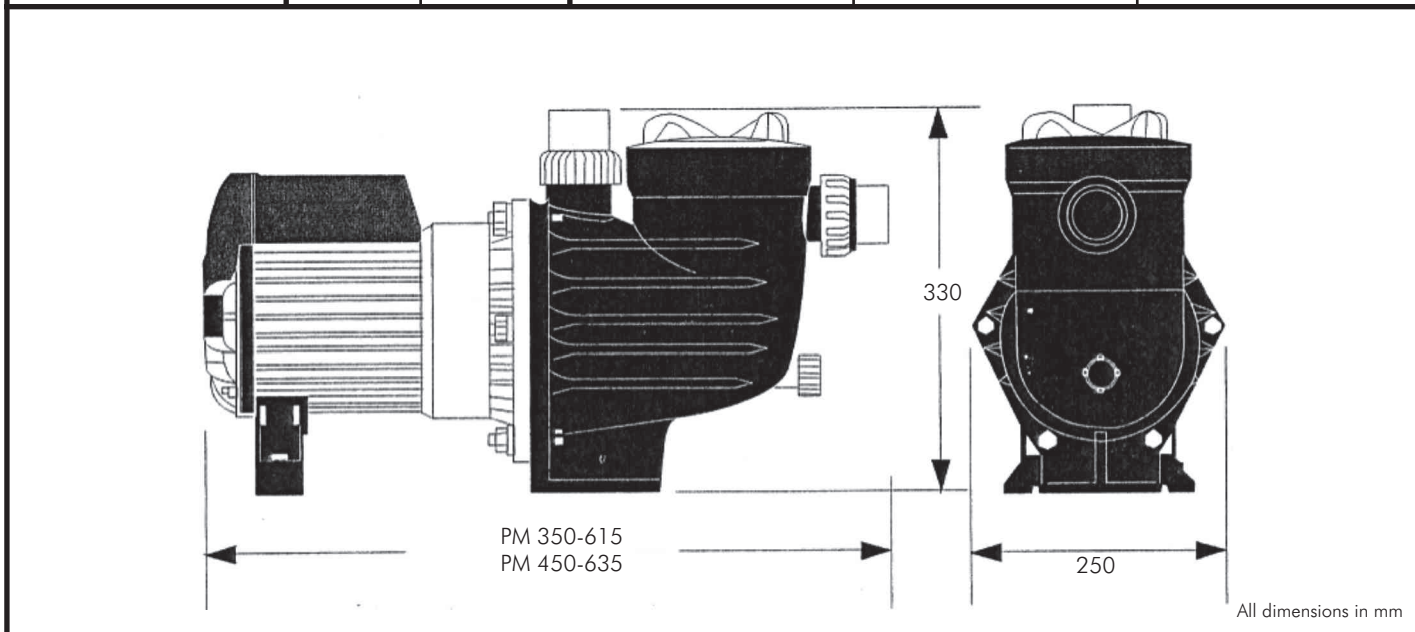
Maximum Fluid Temperature: +50°C

Maximum Ambient Temperature: +55°C

Maximum Suction Lift: 7.5m (at sea level)

PUMP DATA

Pump	Power		Operating Current (A)	Inlet & Outlet (mm)	Weight (kg)
	Motor	Voltage (V)			
PM 350	1.2kW	1X 240V	7.7	50	16
PM 450	1.7kW	1X 240V	10	50	19
PM 450/3	1.7kW	3X 415V	3.6	50	19



© Davis & Shirliff 2014. Contents herein are not warranted. The right is reserved to amend specifications without notice. www.davisandshirliff.com

DV69E-08/07

KENYA
NAIROBI - HEAD OFFICE
 TEL: (+254 20) 6968 000
headoffice@dayliff.com
NAIROBI - WESTLANDS
 TEL: (+254 20) 44480116,
westlands@dayliff.com
NAIROBI - DOWNTOWN
 TEL: (+254 20) 340102
downtown@dayliff.com
NAIROBI - KAREN
 TEL: (+254 20) 3883513
karen@dayliff.com
THIKA
 TEL: (+254 67) 20084/5
thika@dayliff.com
ELDORET
 TEL: (+254 53) 2061306
eldoret@dayliff.com

NAKURU
 TEL: (+254 51) 2213248
nkroffice@dayliff.com
KISUMU
 TEL: (+254 57) 2024763
ksmoffice@dayliff.com
KISII
 TEL: (+254 58) 2030949
ksii@dayliff.com
NAIVASHA
 TEL: (+254 50) 2030510
naivasha@dayliff.com
MACHAKOS
 TEL: (+254 40) 2021668
machakos@dayliff.com
MERU
 TEL: (+254 64) 3131033
meru@dayliff.com

GARISSA
 TEL: (+254 46) 2102620
garissa@dayliff.com
KENYA COAST
MOMBASA - Main Office
 TEL: (+254 20) 2040432
d&smasa@dayliff.com
MALINDI
 TEL: (+254 42) 2120425
mdoffice@dayliff.com
DIANI
 TEL: (+254 40) 3202181
dianioffice@dayliff.com
LAMU
 TEL: (+254 20) 265105256
lamu@dayliff.com

NYALI
 TEL: (+254 20) 2443357
d&nyali.dayliff.com
VOI
 TEL: (+254 20) 2028284
voi@dayliff.com
ETHIOPIA
ADDIS ABABA
 TEL: (+251 11) 515934144
d&sethiopia@dayliff.com
RWANDA
KIGALI
 TEL: (+250 252) 504039
rwoffice@dayliff.com

UGANDA
KAMPALA - Main Office
 TEL: (+256 414) 3463378
d&skampala@dayliff.com
KAMPALA - NAKESERO
 TEL: (+256 392) 734633
d&snakesero@dayliff.com
GULU
 TEL: (+256 471) 433041
d&sgulu@dayliff.com
MBARARA
 TEL: (+256 753) 940 080
d&smbarara@dayliff.com

TANZANIA
DAR ES SALAAM - Main Office
 TEL: (+255 22) 21125156
d&sdar salaam@dayliff.com
DAR ES SALAAM - KARIAKOO
 TEL: (+255 392) 2184867
d&skariakoo@dayliff.com
ARUSHA
 TEL: (+255 27) 2547317/8
arusha@dayliff.com
ZANZIBAR
 TEL: (+255 24) 2234660/1
zanzibar@dayliff.com
MWANZA
 TEL: (+255 28) 2541971/2
d&smwanza@dayliff.com

ZAMBIA
LUSAKA - Main Office
 TEL: (+260 211) 288010/1
d&slusaka@dayliff.com
NDOLA
 TEL: (+260 212) 610936/7
d&sndola@dayliff.com
KITWE
 TEL: (+260 212) 221747/67
d&skitwe@dayliff.com
LIVINGSTONE
 TEL: (+260 213) 320002/234
d&slivingstone@dayliff.com
SOUTH SUDAN
JUBA
 TEL: (+211 956) 397 070
juba@dayliff.com