

DAYLIFF

DATA SHEET

Air
Blowers

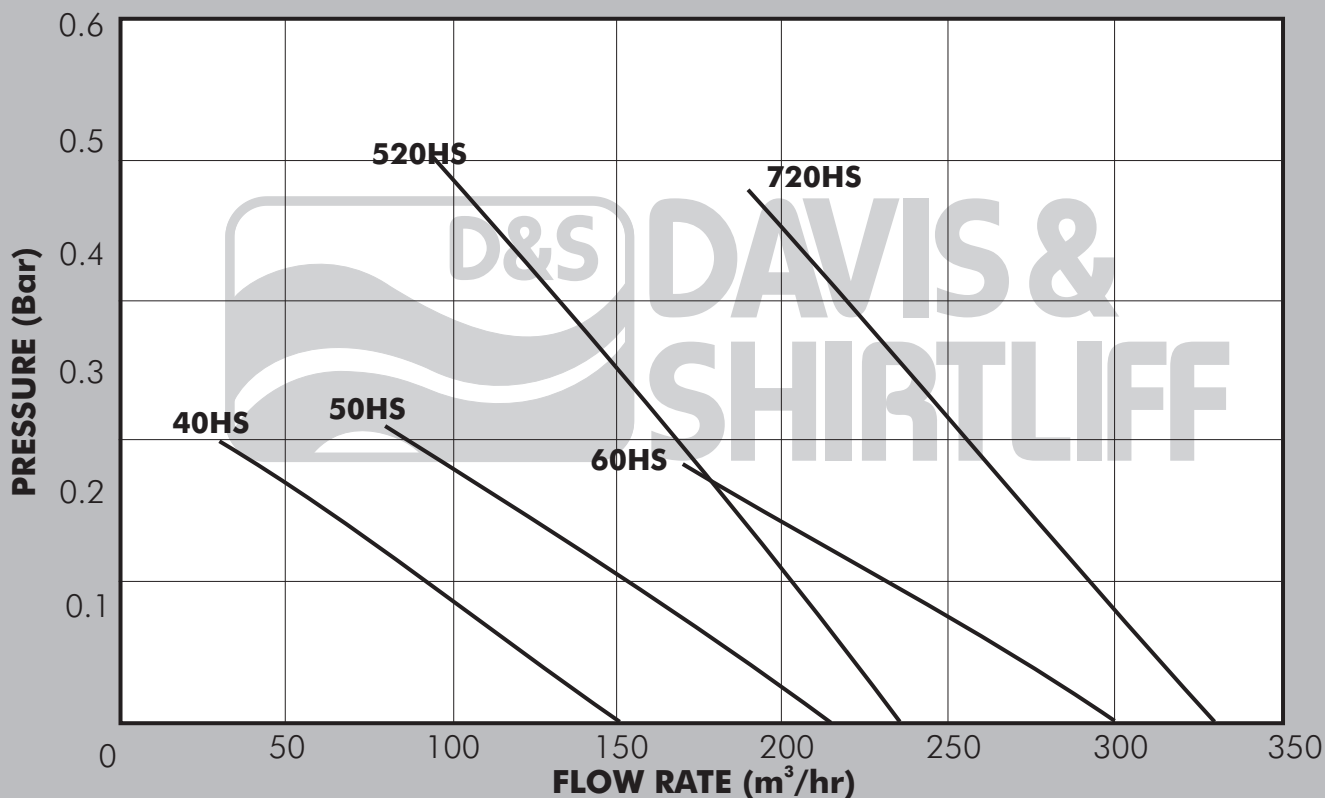
MAPRO



CL40/50/60HS



CL520/720HS



The performance curves are based on air at 20°C and sea level conditions

COMPRESSOR

Mapro air blowers are high specification machines of side channel type fitted with centrifugal vane type impellers for applications that require consistent high air flow at medium pressures. The rotating parts are not in contact with the casing and the compressed air is therefore totally contaminant free. Other benefits include low noise levels, no vibration and pulsation free discharge. Material of construction for the compressor is aluminium alloy for both the casing and the impellers and units are close coupled to flange mounted electric motors.

MOTOR

Three phase totally enclosed fan cooled motors complying to IEC specifications. All motors must be connected to an effective motor starter in accordance with local regulations.

Enclosure Class: F (up to 3kW), H(4kW and above)

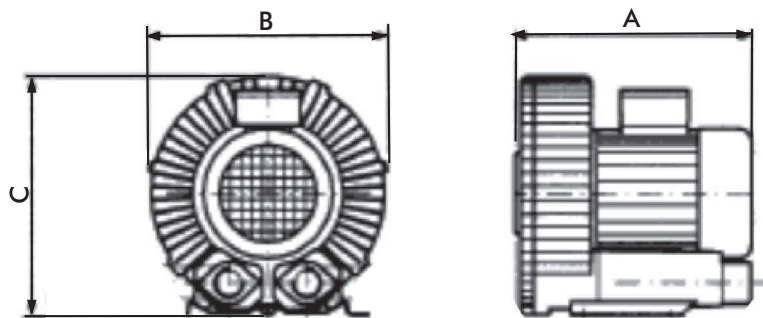
Speed: 2900rpm

Protection class: Ip55

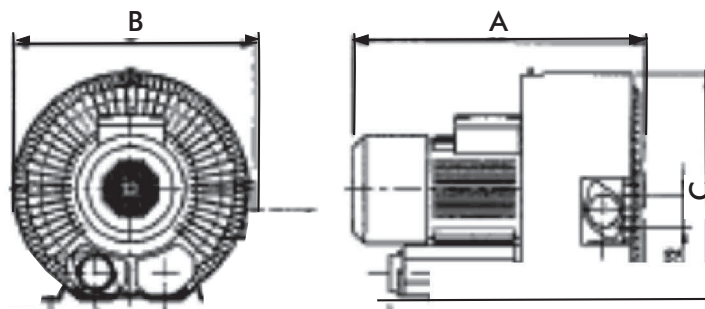
Power: 415V/50Hz

EQUIPMENT SPECIFICATIONS

Model	Power (kW)	Dimensions (mm)			Inlet / Outlet (")	Weight (kg)
		A	B	C		
CL40HS	1.1	270	286	305	1 1/2"	18
CL50HS	1.5	315	333	335		26
CL60HS	2.2	395	382	385		42
CL520HS	3.0	500	410	371	2"	43
CL720HS	4.0	532	435	424		53



CL 40/50/60HS



© Davis & Shirliff 2014. Contents herein are not warranted. The right is reserved to amend specifications without notice. www.davisandshirliff.com

DT248C-08/14

KENYA

NAIROBI - HEAD OFFICE
TEL: (+254 20) 6968 000
headoffice@dayliff.com
NAIROBI - WESTLANDS
TEL: (+254 20) 44480116,
westlands@dayliff.com
NAIROBI - DOWNTOWN
TEL: (+254 20) 340102
downtown@dayliff.com
NAIROBI - KAREN
TEL: (+254 20) 3883513
karen@dayliff.com
THIKA
TEL: (+254 67) 20084/5
thika@dayliff.com
ELDORET
TEL: (+254 53) 2061906
eldoret@dayliff.com

NAKURU
TEL: (+254 51) 2213248
nakuru@dayliff.com
KISUMU
TEL: (+254 57) 2024763
kismoffice@dayliff.com
KISII
TEL: (+254 58) 2030949
ksii@dayliff.com
NAIVASHA
TEL: (+254 50) 2030510
naivasha@dayliff.com
MACHAKOS
TEL: (+254 40) 2021668
machakos@dayliff.com
MERU
TEL: (+254 64) 3131033
meru@dayliff.com

GARISSA
TEL: (+254 46) 2102620
garissa@dayliff.com
KENYA COAST
MOBASA - Main Office
TEL: (+254 20) 2040432
d&smasa@dayliff.com
MALINDI
TEL: (+254 42) 2120425
mlooffice@dayliff.com
DIANI
TEL: (+254 40) 3202181
dianioffice@dayliff.com
LAMU
TEL: (+254 20) 2651052/56
lamu@dayliff.com

NYALI
TEL: (+254 20) 2443357
d&s@nyali.dayliff.com
VOI
TEL: (+254 20) 2028284
voi@dayliff.com
ETHIOPIA
ADDIS ABABA
TEL: (+251 11) 5159341/44
d&sethiopia@dayliff.com
RWANDA
KIGALI
TEL: (+250 252) 504039
rwoffice@dayliff.com

UGANDA

KAMPALA - Main Office
TEL: (+256 414) 346337/8
d&skampala@dayliff.com
KAMPALA - NAKESERO
TEL: (+256 392) 734633
d&snakesero@dayliff.com
GULU
TEL: (+256 471) 433041
d&sgulu@dayliff.com
MBARARA
TEL: (+256 753) 940 080
d&smbarara@dayliff.com

TANZANIA

DAR ES SALAAM - Main Office
TEL: (+255 22) 2112515/6
d&sdar salaam@dayliff.com
DAR ES SALAAM - KARIAKOO
TEL: (+255 22) 2184867
d&skariakoo@dayliff.com
ARUSHA
TEL: (+255 27) 2547317/8
arusaha@dayliff.com
ZANZIBAR
TEL: (+255 24) 2234660/1
zanzibar@dayliff.com
MWANZA
TEL: (+255 28) 2541971/2
d&smwanza@dayliff.com

ZAMBIA

LUSAKA - Main Office
TEL: (+260 211) 288010/1
d&slusaka@dayliff.com
NDOLA
TEL: (+260 212) 610936/7
d&sndola@dayliff.com
KITWE
TEL: (+260 212) 221747/67
d&skitwe@dayliff.com
LIVINGSTONE
TEL: (+260 213) 320002/234
d&slivingstone@dayliff.com
SOUTH SUDAN
JUBA
TEL: (+211 956) 397 070
juba@dayliff.com