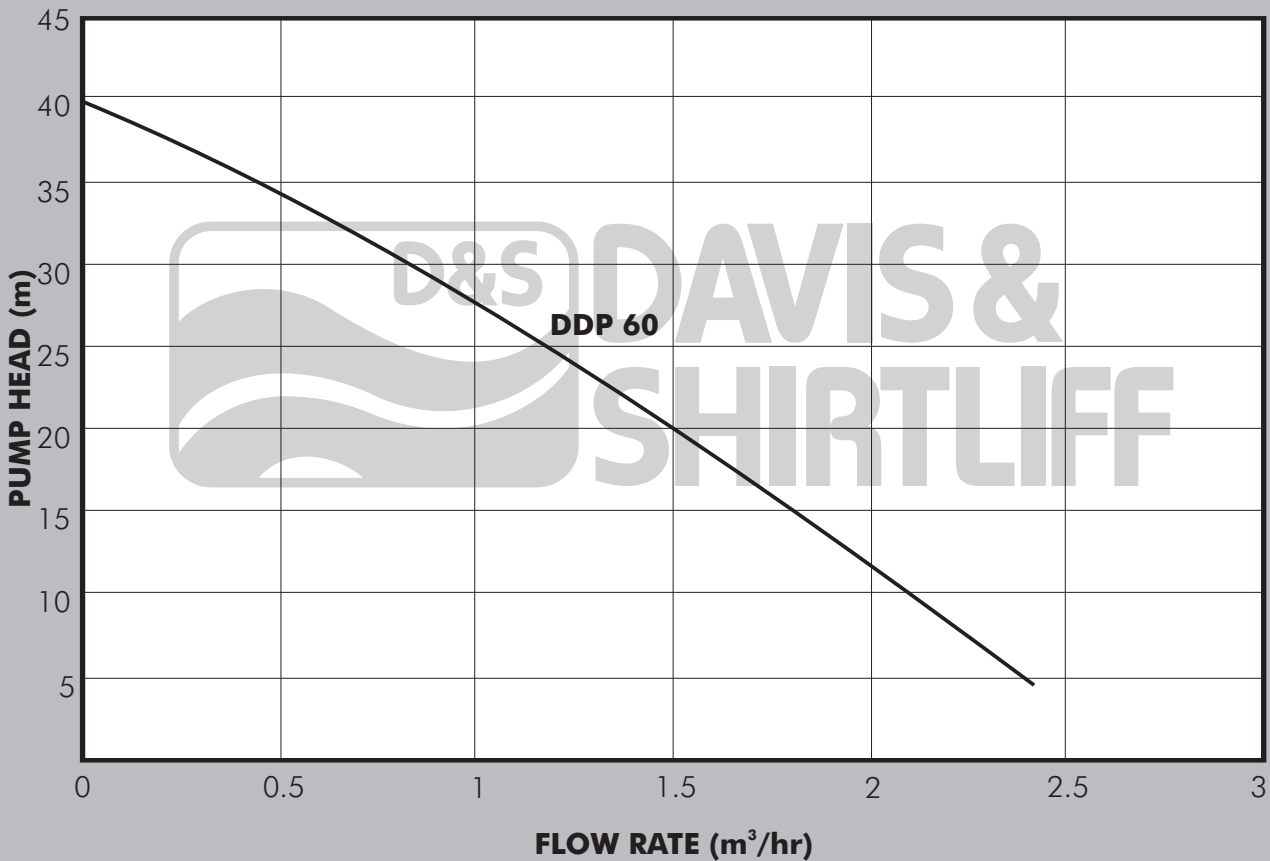


DAYLIFF

DATA SHEET

Domestic
Pumps

DDP



PUMPS

The Dayliff DDP peripheral pump is specially designed for all small scale domestic and commercial water supply uses. It is of high specification peripheral featuring copper windings, a high capacity motor and stainless steel housing inserts to ensure free impeller movement. The pump body is manufactured from cast iron and impeller from brass.

MOTORS

Pumps are close coupled to reliable TEFC electric motors designed for continuous operation and are provided with a thermal cutout to protect against electrical overload. They can be connected directly to the mains power supply through a 10A fuse or MCB.

Enclosure Class: IP44

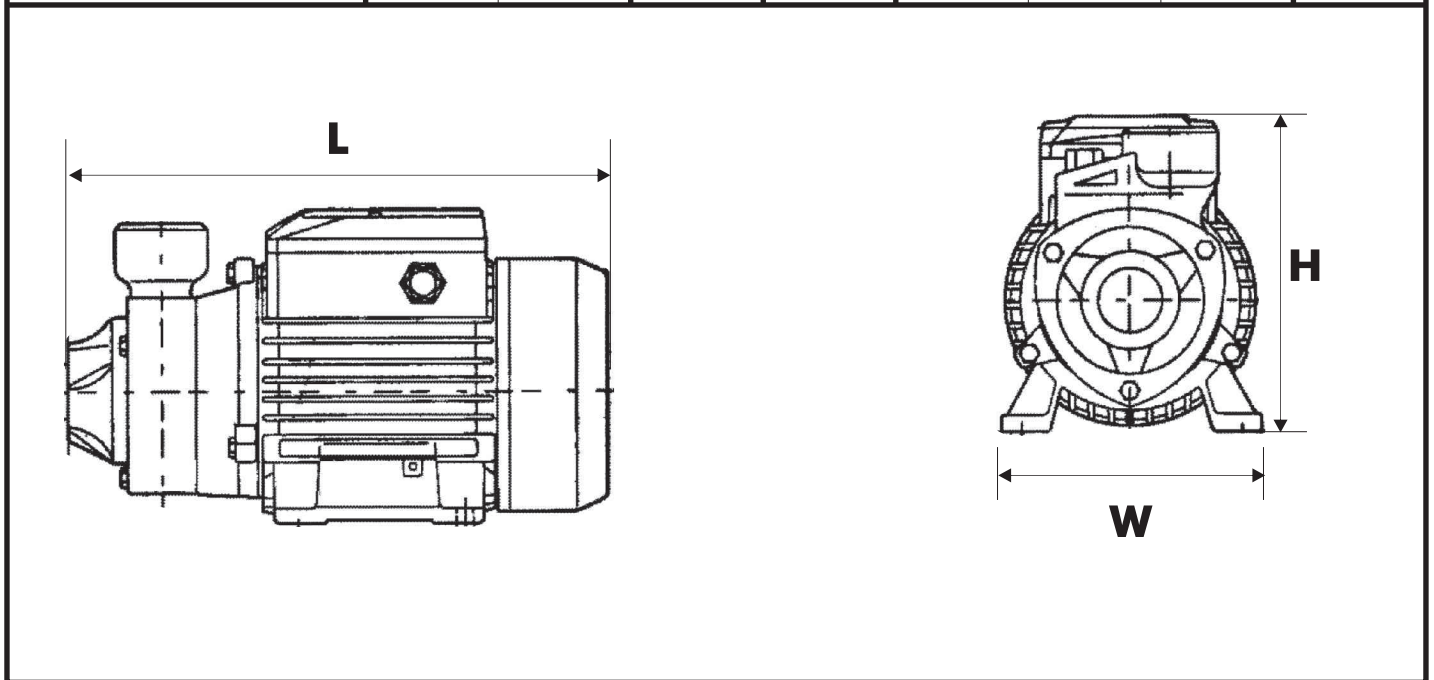
Insulation Class: F

Speed: 2900rpm

Voltage: 1x240V

PUMP DATA

Model	Motor		DN1 (")	DN2 (")	Dimensions (mm)			Weight (kg)
	(kW)	Current (A)			L	W	H	
DDP 60	0.37	2.5A	1	1	265	118	151	5.3



KENYA
NAIROBI - HEAD OFFICE
 TEL: (+254 20) 6968 000
headoffice@dayliff.com
NAIROBI - WESTLANDS
 TEL: (+254 20) 44480116,
westlands@dayliff.com
NAIROBI - DOWNTOWN
 TEL: (+254 20) 340102
downtown@dayliff.com
NAIROBI - KAREN
 TEL: (+254 20) 3883513
karen@dayliff.com
THIKA
 TEL: (+254 67) 20084/5
thika@dayliff.com
ELDORET
 TEL: (+254 53) 2061306
eldoret@dayliff.com

NAKURU
 TEL: (+254 51) 2213248
nkroffice@dayliff.com
KISUMU
 TEL: (+254 57) 2024763
ksmoffice@dayliff.com
KISII
 TEL: (+254 58) 2030949
kisii@dayliff.com
NAIVASHA
 TEL: (+254 50) 2030510
naivasha@dayliff.com
MACHAKOS
 TEL: (+254 40) 2021668
naivasha@dayliff.com
MERU
 TEL: (+254 64) 3131033
meru@eld.dayliff.com

GARISSA
 TEL: (+254 46) 2102620
garissa@dayliff.com
KENYA COAST
MOMBASA - Main Office
 TEL: (+254 20) 2040432
d&smsa@dayliff.com
MALINDI
 TEL: (+254 42) 2120425
mdoffice@dayliff.com
DIANI
 TEL: (+254 40) 3202181
dianioffice@dayliff.com
LAMU
 TEL: (+254 20) 265105256
lamu@dayliff.com

NYALI
 TEL: (+254 20) 2443357
d&s@nyali.dayliff.com
VOI
 TEL: (+254 20) 2028284
voi@dayliff.com
ETHIOPIA
ADDIS ABABA
 TEL: (+251 11) 5159341/44
d&sethiopia@dayliff.com
RWANDA
KIGALI
 TEL: (+250 252) 504039
rwoffice@dayliff.com

UGANDA
KAMPALA - Main Office
 TEL: (+256 414) 346337/8
d&skampala@dayliff.com
KAMPALA - NAKESERO
 TEL: (+256 392) 734633
d&snakesero@dayliff.com
GULU
 TEL: (+256 471) 433041
d&sgulu@dayliff.com
MBARARA
 TEL: (+256 753) 940 080
d&smbarara@dayliff.com

TANZANIA
DAR ES SALAAM - Main Office
 TEL: (+255 22) 2112515/6
d&sdaressalaam@dayliff.com
DAR ES SALAAM - KARIAKOO
 TEL: (+255 22) 2184867
d&skariakoo@dayliff.com
ARUSHA
 TEL: (+255 27) 2547317/8
arusaha@dayliff.com
ZANZIBAR
 TEL: (+255 24) 2234660/1
zanzibar@dayliff.com
MWANZA
 TEL: (+255 28) 2541971/2
d&smwanza@dayliff.com

ZAMBIA
LUSAKA - Main Office
 TEL: (+260 211) 288010/1
d&slusaka@dayliff.com
NDOLA
 TEL: (+260 212) 610936/7
d&sndola@dayliff.com
KITWE
 TEL: (+260 212) 221747/67
d&skitwe@dayliff.com
LIVINGSTONE
 TEL: (+260 213) 320002/234
d&slivingstone@dayliff.com
SOUTH SUDAN
JUBA
 TEL: (+211 956) 397 070
juba@dayliff.com