

The DAYLIFF DL range of vertical in-line closed impeller centrifugal pumps are rugged, heavy duty industrial products designed for various water supply, HVAC cooling, irrigation and fire-fighting duties in agricultural, commercial and industrial applications. A wide range is available, individual pump performance being adaptable to particular duty requirement by trimming the impeller size. Pump performance is indicative. Full performance details will be provided on provision of exact duty requirements.

Features

- Heavy duty cast iron casing, bronze closed impeller and stainless steel shaft
- Close coupled vertical design ensures accurate alignment of pumps and motor
- Compact and best suited for restricted spaces

Operating Conditions

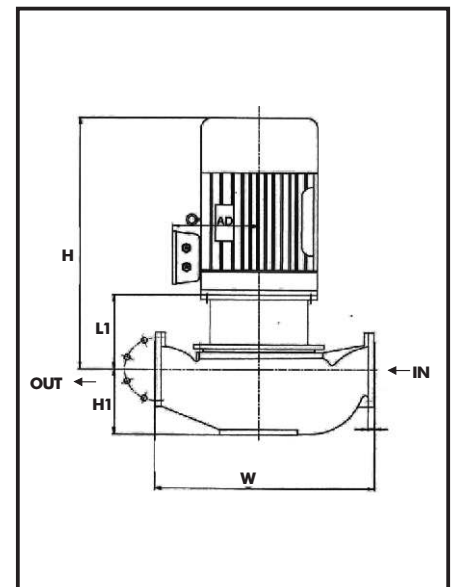
Pumped Liquid: Thin, clean, chemically, non aggressive water without solids or particles

Max Operation Pressure: 16bar

Max Temperature: 105°C

Pump Data

Model	Speed (rpm)	Max. Power (kW)	DN (m)	Dimensions (mm)				Weight (kgs)
				H	H1	L1	W	
DL40	1450	0.55	40	407	113	152	310	48
DL50	1450	3	50	498	118	173	470	99
DL65	1450	11	65	743	155	231	590	211
DL80	1450	15	80	795	175	235	640	246
DL100	1450	30	100	909	220	249	800	436
DL125	1450	45	125	989	240	284	810	524
DL150	1450	75	150	1129	250	284	850	780
DL200	1450	55	200	1055	300	285	920	647
DL40	2900	2.2	40	447	113	152	310	57
DL50	2900	18.5	50	788	118	228	470	202
DL65	2900	75	65	1188	155	273	590	618
DL80	2900	90	80	1167	175	272	640	686
DL100	2900	75	100	1166	188	271	630	663
DL125	2900	90	125	1170	220	275	700	689



Pump details are given for maximum impeller diameter