

DAYLIFF

DATA SHEET

Swimming Pool Filters **DX**



The DAYLIFF 'DX' filter range is a comprehensive selection of swimming pool filters suitable for both domestic and light institutional pool applications. Combining the latest filtration technology with nearly twenty years of production experience the range offers outstanding reliability, longevity, performance and value. Five models in different sizes are available, all providing the following features:-

- Elegant moulded filter bodies of non-corroding GRP construction for strength and indefinite life.
- Simple to use flange connected six-position multiport valves with union connections. The flange arrangement greatly simplifies installation and media replacement as well as providing a secure watertight seal.
- Specially designed internal collector laterals providing maximum filtration and backwashing efficiency and minimal media loss.
- High-grade silica sand media for exceptional filtration performance.

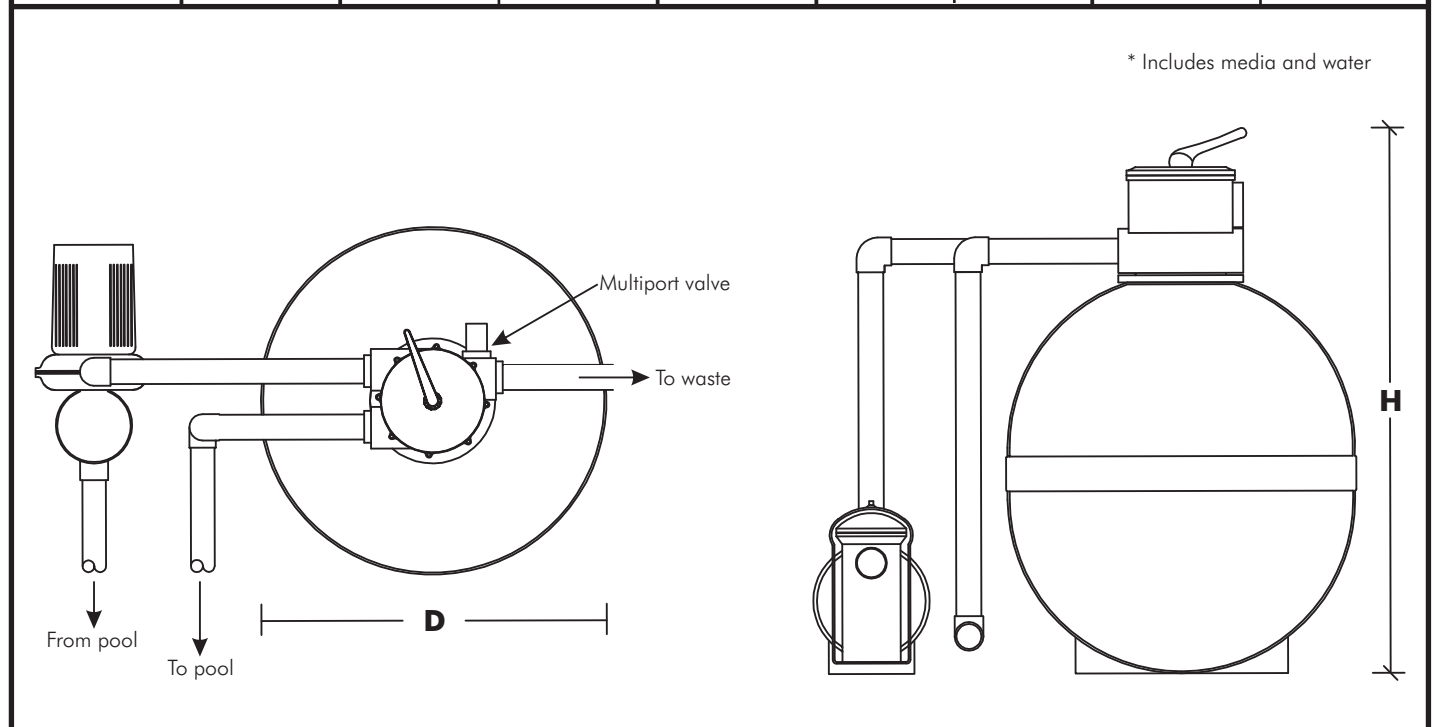
It must be remembered that the most important aspect of a pool's appearance is the quality of its water. The key to this is efficient filtration and a pool's filter is the one piece of equipment where compromise does not pay. DAYLIFF 'DX' filters are quality products which have been carefully designed to combine the highest standards of performance with outstanding reliability and ease of operation. With a DAYLIFF filter clean, sparkling water is assured at all times.

OPERATING PARAMETERS

Model	Rated Flow (m ³ /hr)	Pump Options				Pool Capacity (Litres)			Recommended Piping Size	
		Type	Power, kW	Quality	Power, kW	Light Use	Normal Use	Heavy Use	Suction	Delivery
DX300	4	-	-	-	-	40,000	30,000	25,000	1.5"	1.5"
DX500	10	Leader, SPP 50M	0.33	QP3	0.6	100,000	80,000	60,000	1.5"	1.5"
DX600	14	Leader, SPP 75M	0.5	QP4	0.75	140,000	115,000	85,000	2"	1.5"
DX750	22	Leader, SPP 150M	1.1	QP8	1.5	220,000	180,000	130,000	2.5"	2"
DX800	25	Davey, PM 350	1.2	-	-	250,000	200,000	150,000	2.5"	2"
DX900	32	Davey, PM 450	1.7	-	-	300,000	240,000	180,000	3"	2.5"

DIMENSIONS & WEIGHTS

Model	Filter Area (m ²)	Dimensions (mm)		MPV Valve Size	Pressure (Bar)		Weights (Kgs)	
		H	D		Test	Working	Nett	Gross*
DX300	0.07	830	300	1½"	4.5	3	11	115
DX500	0.20	830	520	1½"	4.5	3	13	170
DX600	0.3	980	620	1½"	4.5	3	15	250
DX750	0.43	1060	770	1½"	4.5	3	21	420
DX800	0.43	1280	770	2"	4.5	3	25	525
DX900	0.67	1400	925	2"	4.5	3	32	820



© Davis & Shirliff 2014. Contents herein are not warranted. The right is reserved to amend specifications without notice. www.davisandshirliff.com

DP89C-07/08

KENYA
NAIROBI - HEAD OFFICE
 TEL: (+254 20) 6968 000
headoffice@dayliff.com
NAIROBI - WESTLANDS
 TEL: (+254 20) 44480116,
westlands@dayliff.com
NAIROBI - DOWNTOWN
 TEL: (+254 20) 340102
downtown@dayliff.com
NAIROBI - KAREN
 TEL: (+254 20) 3883513
karen@dayliff.com
THIKA
 TEL: (+254 67) 20084/5
thika@dayliff.com
ELDORET
 TEL: (+254 53) 2061306
eldoret@dayliff.com

NAKURU
 TEL: (+254 51) 2213248
nakuroffice@dayliff.com
KISUMU
 TEL: (+254 57) 2024763
ksumoffice@dayliff.com
KISII
 TEL: (+254 58) 2030949
kisii@dayliff.com
NAIVASHA
 TEL: (+254 50) 2030510
naivasha@dayliff.com
MACHAKOS
 TEL: (+254 40) 2021668
machoffice@dayliff.com
MERU
 TEL: (+254 64) 3131033
meru@dayliff.com

GARISSA
 TEL: (+254 46) 2102620
garissa@dayliff.com
KENYA COAST
MOMBASA - Main Office
 TEL: (+254 20) 2040432
dsmbsa@dayliff.com
MALINDI
 TEL: (+254 42) 2120425
mdoffice@dayliff.com
DIANI
 TEL: (+254 40) 3202181
dianioffice@dayliff.com
LAMU
 TEL: (+254 20) 2651052/56
lamu@dayliff.com

NYALI
 TEL: (+254 20) 2443357
d8s@nyali.dayliff.com
VOI
 TEL: (+254 20) 2028284
voi@dayliff.com
ETHIOPIA
ADDIS ABABA
 TEL: (+251 11) 5159341/44
d8sethiopia@dayliff.com
RWANDA
KIGALI
 TEL: (+250 252) 504039
rwoffice@dayliff.com

UGANDA
KAMPALA - Main Office
 TEL: (+256 414) 346337/8
d8skampala@dayliff.com
KAMPALA - NAKESERO
 TEL: (+256 392) 734633
d8snakesero@dayliff.com
GULU
 TEL: (+256 471) 433041
d8sgulu@dayliff.com
MBARARA
 TEL: (+256 753) 940 080
d8sbarara@dayliff.com

TANZANIA
DAR ES SALAAM - Main Office
 TEL: (+255 22) 2112515/6
d8sdar salaam@dayliff.com
DAR ES SALAAM - KARIAKOO
 TEL: (+255 22) 2184867
d8skariakoo@dayliff.com
ARUSHA
 TEL: (+255 27) 2547317/8
arussha@dayliff.com
ZANZIBAR
 TEL: (+255 24) 2234660/1
zanzibar@dayliff.com
MWANZA
 TEL: (+255 28) 2541971/2
d8smwanza@dayliff.com

ZAMBIA
LUSAKA - Main Office
 TEL: (+260 211) 288010/1
d8slusaka@dayliff.com
NDOLA
 TEL: (+260 212) 610936/7
d8sndola@dayliff.com
KITWE
 TEL: (+260 212) 221747/67
d8skitwe@dayliff.com
LIVINGSTONE
 TEL: (+260 213) 320002/234
d8slivingstone@dayliff.com
SOUTH SUDAN
JUBA
 TEL: (+211 956) 397 070
juba@dayliff.com