

DAVEY

DATA SHEET

Centrifugal
Booster Pumps

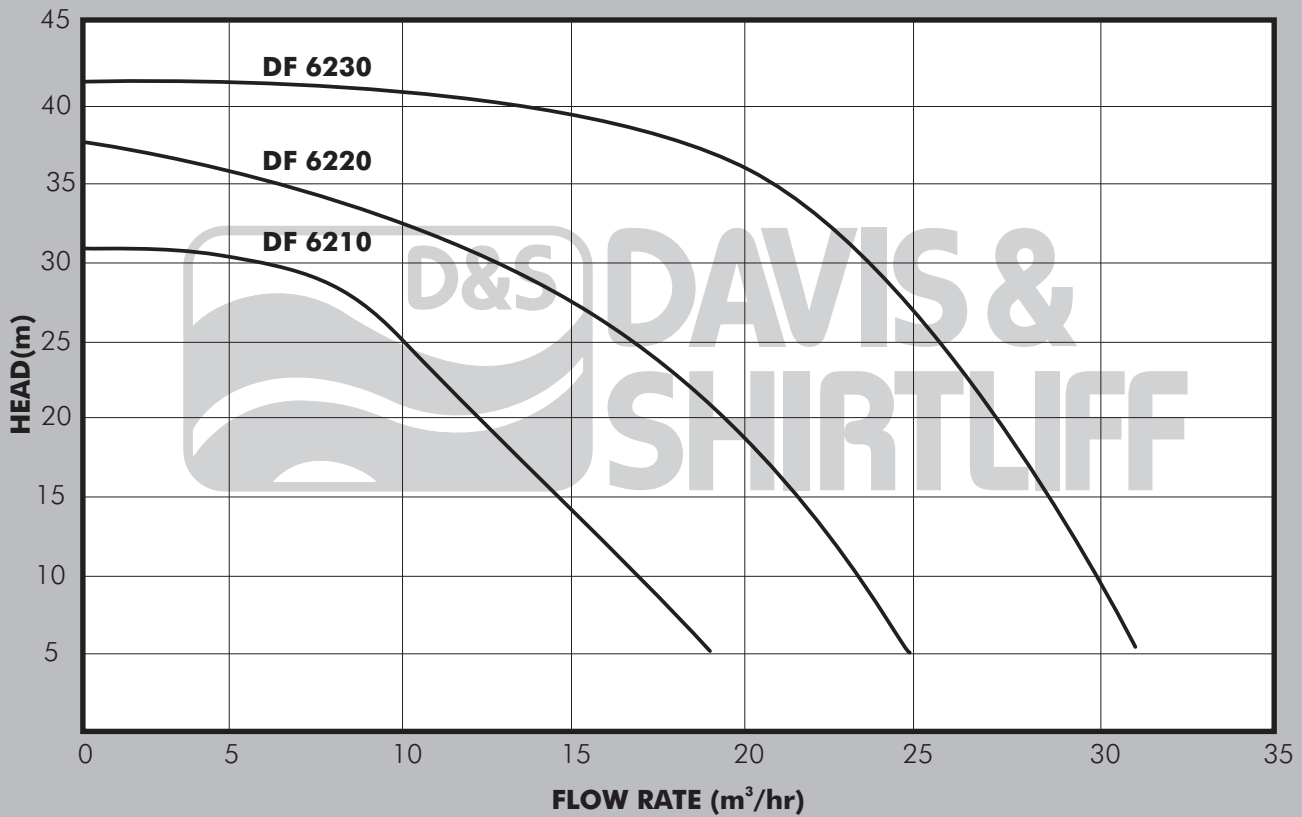
DYNAFLO



DF 6210



DF 6220/6230



PUMP

The DAVEY Dynaflo pump range are heavy duty non self-priming horizontal end suction centrifugal pumps with integral electric motors. They are particularly suited to water transfer and general boosting applications in agricultural and industrial situations due to their high grade construction and continuously rated motors.

Pump bodies are constructed from glass filled noryl for the 6210 model and cast iron for the 6220 and 6230 models. There is also an option of a stainless steel pump body for aggressive liquid applications for the 6230 model. Impellers are non corrosive glass filled polycarbonate.

MOTOR

The pump is fitted with an integral DAVEY 'large frame' TEFC heavy duty motor specifically designed to match the pump output. Features include front mounted fan for improved cooling and motor protection in the event of seal leakage, heavy duty bearings and a corrosion protected aluminium casing. Single phase motors are provided with an in-built automatic re-start thermal overload for protection against electrical and mechanical overload and can be connected directly to a power supply through a 13 amp fuse or MCB. Three phase motors require remote DOL starter protection.

Enclosure Class: IP56

Insulation Class: F

Speed: 2900rpm

OPERATING CONDITIONS

Pumped liquid: Thin, chemically non aggressive liquids without solids or fibres.

Max Water Temperature: +50°C

Max Ambient Temperature: +55°C

Max Suction Lift: 7m (at sea level)

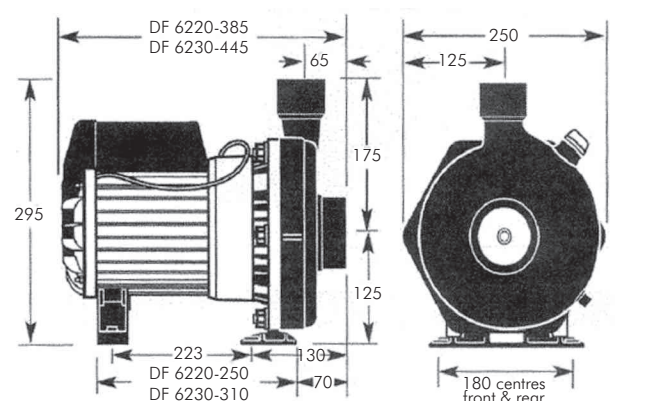
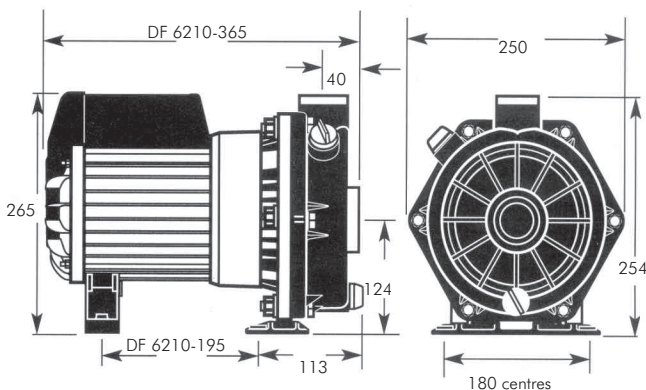
Max Pump Body Pressure: 6210 - 3.7 Bar
6220/6230 - 15 Bar

PUMP DATA

Pump	Voltage (v)	Power (kW)	Operating Current (A)	Inlet (F)	Outlet (F)	Weight (kg)
6210	1x240	1.6	9.2	1 1/2"	1 1/4"	19
6220	3x415	2.4	4.7	2"	1 1/2"	29
6230	3x415	3	6.3	2"	1 1/2"	33

DF 6210

DF 6220/6230



All dimensions in mm

© Davis & Shirliff 2014. Contents herein are not warranted. The right is reserved to amend specifications without notice. www.davisandshirliff.com

DV59F-08/07

KENYA

NAIROBI - HEAD OFFICE
TEL: (+254 20) 6968 000
headoffice@dayliff.com
NAIROBI - WESTLANDS
TEL: (+254 20) 44480116,
westlands@dayliff.com
NAIROBI - DOWNTOWN
TEL: (+254 20) 340102
downtown@dayliff.com
NAIROBI - KAREN
TEL: (+254 20) 3883513
karen@dayliff.com
THIKA
TEL: (+254 67) 20084/5
thika@dayliff.com
ELDORET
TEL: (+254 53) 2061306
eldoret@dayliff.com

NAKURU
TEL: (+254 51) 2213248
nakuru@dayliff.com
KISUMU
TEL: (+254 57) 2024763
ksumoffice@dayliff.com
KISII
TEL: (+254 58) 2030949
kisi@dayliff.com
NAIVASHA
TEL: (+254 50) 2030510
naivasha@dayliff.com
MACHAKOS
TEL: (+254 40) 2021668
naivasha@dayliff.com
MERU
TEL: (+254 64) 3131033
meru@dayliff.com

GARISSA
TEL: (+254 46) 2102620
garissa@dayliff.com
KENYA COAST
MOMBASA - Main Office
TEL: (+254 20) 2040432
d&smasa@dayliff.com
MALINDI
TEL: (+254 42) 2120425
mldoffice@dayliff.com
DIANI
TEL: (+254 40) 3202181
dianioffice@dayliff.com
LAMU
TEL: (+254 20) 265105256
lamu@dayliff.com

NYALI
TEL: (+254 20) 2443357
d&nyali.dayliff.com
VOI
TEL: (+254 20) 2028284
voi@dayliff.com
ETHIOPIA
ADDIS ABABA
TEL: (+251 11) 515934144
d&sethiopia@dayliff.com
RWANDA
KIGALI
TEL: (+250 252) 504039
rwoffice@dayliff.com

UGANDA

KAMPALA - Main Office
TEL: (+256 414) 3463378
d&skampala@dayliff.com
KAMPALA - NAKESERO
TEL: (+256 392) 734633
d&snakasero@dayliff.com
GULU
TEL: (+256 471) 433041
d&sgulu@dayliff.com
MBARARA
TEL: (+256 753) 940 080
d&smbarara@dayliff.com

TANZANIA

DAR ES SALAAM - Main Office
TEL: (+255 22) 21125156
d&sdarressalaam@dayliff.com
DAR ES SALAAM - KARIAKOO
TEL: (+255 22) 2184867
d&skariakoo@dayliff.com
ARUSHA
TEL: (+255 27) 25473178
arusha@dayliff.com
ZANZIBAR
TEL: (+255 24) 2234660/1
zanzibar@dayliff.com
MWANZA
TEL: (+255 28) 2541971/2
d&smwanza@dayliff.com

ZAMBIA

LUSAKA - Main Office
TEL: (+260 211) 288010/1
d&slusaka@dayliff.com
NDOLA
TEL: (+260 212) 610936/7
d&sndola@dayliff.com
KITWE
TEL: (+260 212) 221747/67
d&skitwe@dayliff.com
LIVINGSTONE
TEL: (+260 213) 320002/234
d&slivingstone@dayliff.com
SOUTH SUDAN
JUBA
TEL: (+211 956) 397 070
juba@dayliff.com