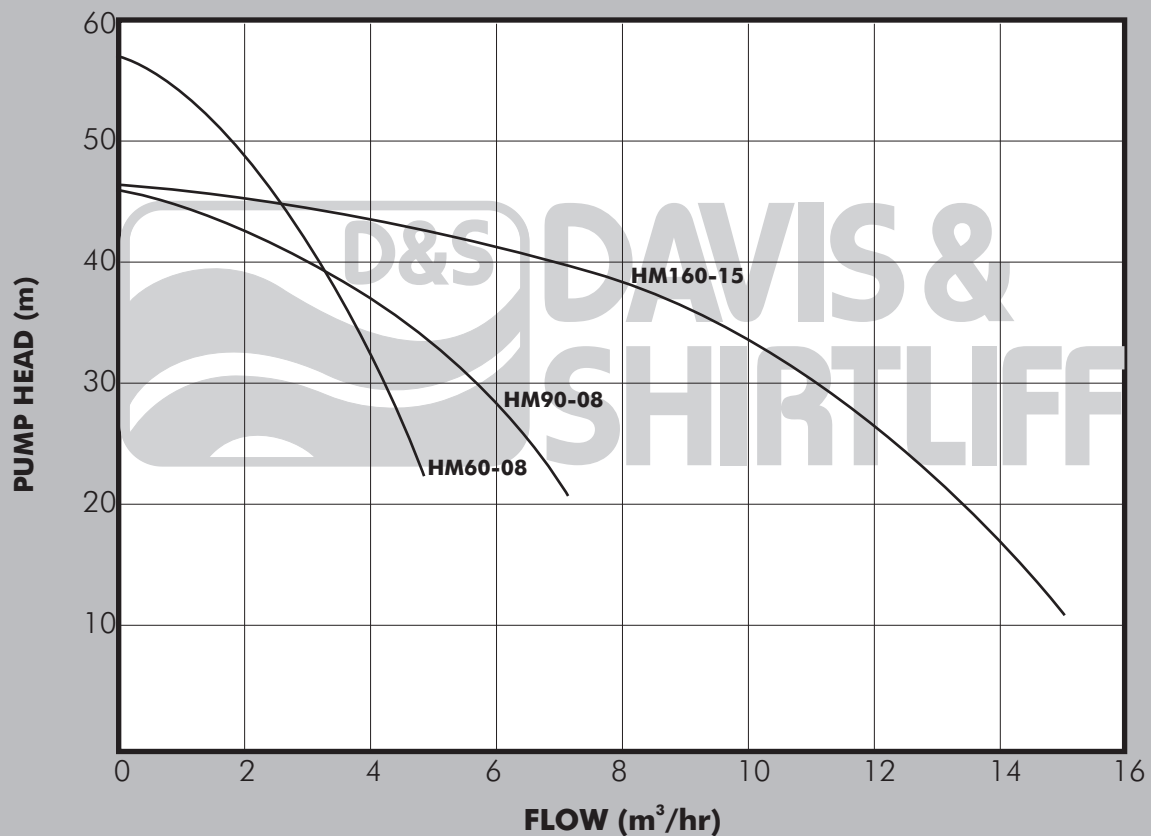


DAVEY

DATA SHEET

Multistage
Pressure Pumps

HM



PUMP

The DAVEY HM Range of multistage centrifugal booster pumps are designed for higher pressure duties in general water supply, boosting and transfer applications. The pumps are of compact design with axial suction and vertical discharge arrangements and feature all stainless steel hydraulic components throughout for long life, low noise and high efficiency. They are also especially suitable for automatic operation using either a Davey 'Torrium', PressControl or standard pressure switch controller.

MOTOR

The pump includes an integral Davey TEFC type motor rated for the hydraulic load. Motors are fitted with automatically resetting thermal overload protection and can be directly connected to mains power supply through a fuse or MCB protection.

Enclosure Class: IP59 **Insulation Class:** F **Voltage:** 1 x 240v **Speed:** 2900rpm

OPERATING CONDITIONS

Pumped liquid: Clean, non-corrosive, non-flammable liquids containing no solid or fibres

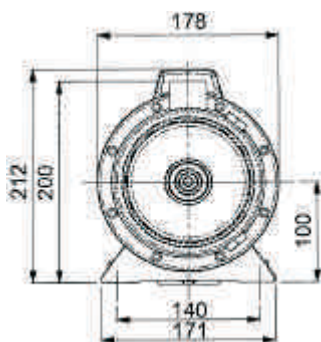
Max Water Temperature: +105°C

Max Ambient Temperature: +50°C

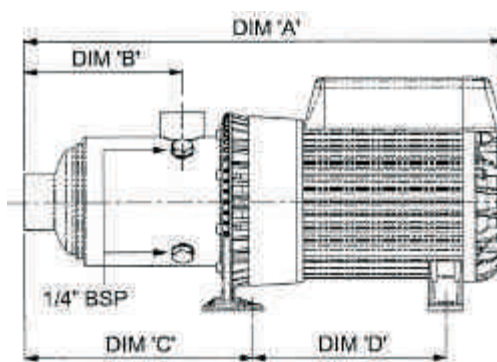
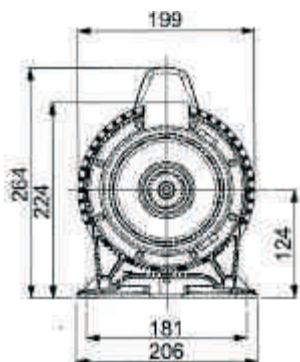
Max Suction Lift: 6m

PUMP DATA

Pump	Motor Size	Operating Current	Inlet	Outlet	A	B	C	D	Weight (kg)
HM60-08	0.7kW	4.5 Amps	1 1/4"	1"	459	175	255	130	12.2
HM90-08	0.8 kW	4.9 Amps	1 1/4"	1"	411	127	205	130	11.7
HM160-15	1.5 kW	8.0 Amps	1 1/2"	1 1/4"	509	178	254	189	21.8



HM60/90



HM160

All dimensions in mm

KENYA

NAIROBI - HEAD OFFICE
TEL: (+254 20) 6968 000
headoffice@dayliff.com
NAIROBI - WESTLANDS
TEL: (+254 20) 44480116,
westlands@dayliff.com
NAIROBI - DOWNTOWN
TEL: (+254 20) 340102
downtown@dayliff.com
NAIROBI - KAREN
TEL: (+254 20) 3883513
karen@dayliff.com
THIKA
TEL: (+254 67) 20084/5
thika@dayliff.com
ELDORET
TEL: (+254 53) 2061306
eldoret@dayliff.com

NAKURU

TEL: (+254 51) 2213248
nairoffice@dayliff.com
KISUMU
TEL: (+254 57) 2024763
ksumoffice@dayliff.com
KISII
TEL: (+254 58) 2030949
ksii@dayliff.com
NAIVASHA
TEL: (+254 50) 2030510
naivasha@dayliff.com
MACHAKOS
TEL: (+254 40) 2021668
naivasha@dayliff.com
MERU
TEL: (+254 64) 3131033
meru@dayliff.com

GARISSA

TEL: (+254 46) 2102620
garissa@dayliff.com
KENYA COAST
MOMBASA - Main Office
TEL: (+254 20) 2040432
d&msasa@dayliff.com
MALINDI
TEL: (+254 42) 2120425
mldoffice@dayliff.com
DIANI
TEL: (+254 40) 3202181
dianioffice@dayliff.com
LAMU
TEL: (+254 20) 265105256
lamu@dayliff.com

NYALI

TEL: (+254 20) 2443357
d&nyali.dayliff.com
VOI
TEL: (+254 20) 2028284
voi@dayliff.com
ETHIOPIA
ADDIS ABABA
TEL: (+251 11) 515934144
dðiopia@dayliff.com
RWANDA
KIGALI
TEL: (+254 252) 504039
rwoffice@dayliff.com

UGANDA

KAMPALA - Main Office
TEL: (+256 414) 3463378
d&kampala@dayliff.com
KAMPALA - NAKESERO
TEL: (+256 392) 734633
d&nakaserok@dayliff.com
GULU
TEL: (+256 471) 433041
d&gulu@dayliff.com
MBARARA
TEL: (+256 753) 940 080
d&smbarara@dayliff.com

TANZANIA

DAR ES SALAAM - Main Office
TEL: (+255 22) 21125156
d&dsalaam@dayliff.com
DAR ES SALAAM - KARIAKOO
TEL: (+255 22) 2184867
d&skariakoo@dayliff.com
ARUSHA
TEL: (+255 27) 2547317/8
arusaha@dayliff.com
ZANZIBAR
TEL: (+255 24) 2234660/1
zanzibar@dayliff.com
MWANZA
TEL: (+255 28) 2541971/2
d&smwanza@dayliff.com

ZAMBIA

LUSAKA - Main Office
TEL: (+260 211) 288010/1
d&slusaka@dayliff.com
NDOLA
TEL: (+260 212) 610936/7
d&sndola@dayliff.com
KITWE
TEL: (+260 212) 221747/67
d&skitwe@dayliff.com
LIVINGSTONE
TEL: (+260 213) 320002/234
d&slivingstone@dayliff.com
SOUTH SUDAN
JUBA
TEL: (+211 956) 397 070
juba@dayliff.com