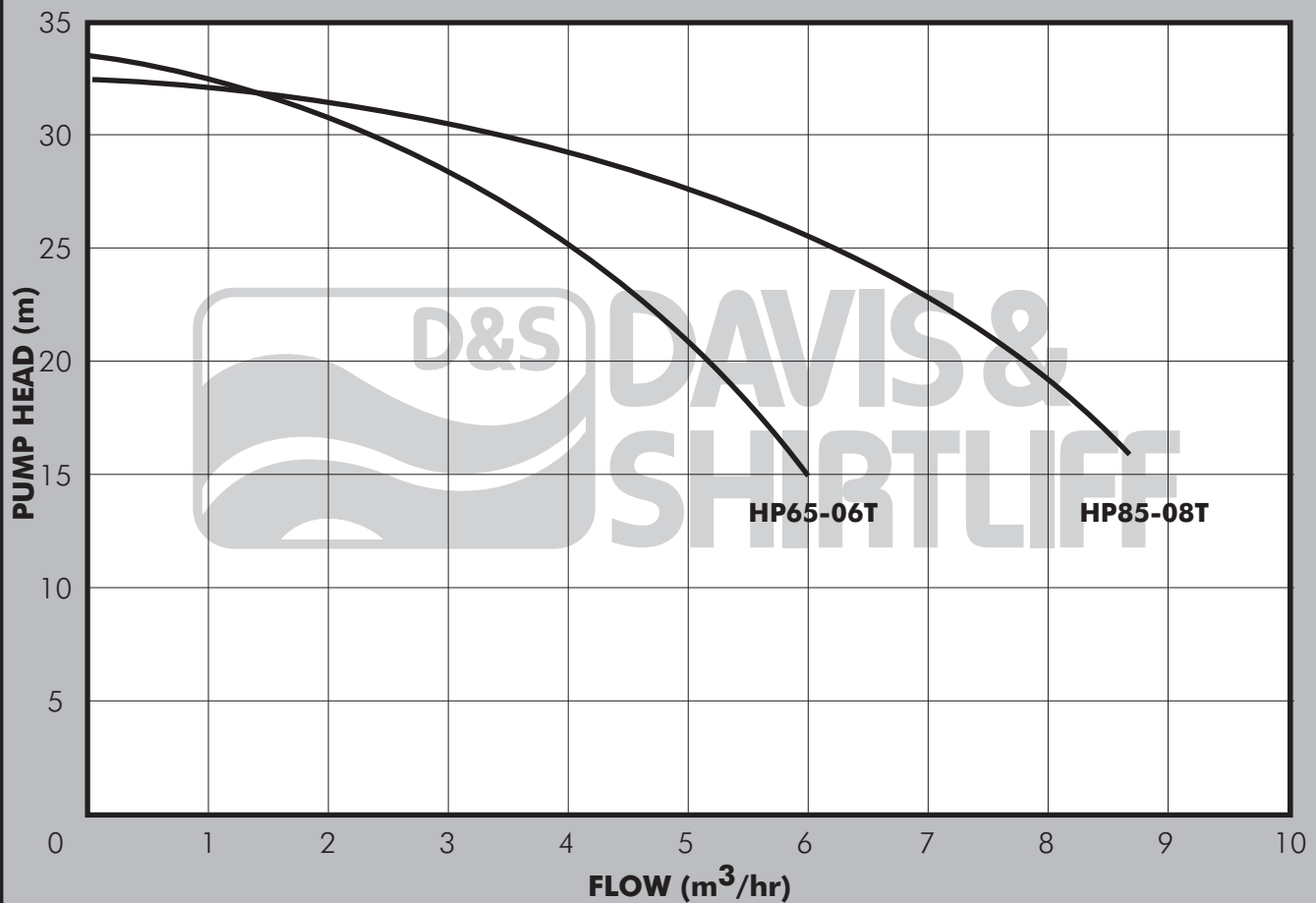


DAVEY

DATA SHEET

Pressure
Pumps

HP TORRIUM



PUMP

Davey HP Torrium pressure pumps are the latest development in automatic on-demand pumps designed for domestic and small scale commercial booster and water supply applications. The pump features Davey's unique Torrium controller which provides the following control functions:

- System cut-out at low flow and cut-in at 80% of the cut-out pressure providing constant, even pressure flow.
- Dry run protection including sequential automatic re-start function.
- Water leakage detection which minimises pump cycling.
- High current shutdown and low voltage indication.
- High water temperature protection and automatic restart below 60°C.
- LED operation and fault indicator providing simple interpretation of operating status.

Torrium is manufactured from strong corrosion proof reinforced nylon and is totally sealed for operation in the harshest environments. Its simplicity, reliability and effectiveness make it the most sophisticated controller available for all small flow pumped water supply installations.

The pump hydraulic end is a non-self-priming two stage centrifugal design, the housing being constructed of stainless steel and the impellers of engineering plastic.

MOTOR

The pump is close coupled to a Davey asynchronous TEFC PSC type motor specifically designed to match the pump output. The motor is provided with an in-built thermal cutout for hot running protection and can be connected directly to mains power supply, though fuse or MCB protection must be provided.

Enclosure Class: 1P55

Insulation Class: F

Voltage: 1 x 240V

OPERATING CONDITIONS

Pumped Liquid: Thin, clean chemically non-aggressive liquids, containing no solids or fibres.

Max Water Temp: +50°C

Max Ambient Temp: +50°C

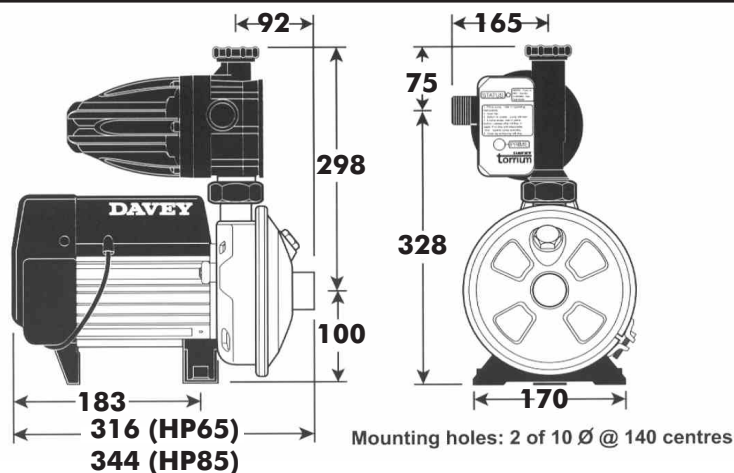
Max Suction Lift: 6m (at sea level)

Cut Out Flow: Approx 2 litres per min

Cut In Pressure: Approx 2.5Bar (automatically set at 80% of cut out pressure)

PUMP DATA

Model	Power		Inlet	Outlet	Weight (kg)
	kW	Current (A)			
HP65-06T	0.6	3.8	1 1/4" F	1" M	9
HP85-08T	0.8	5.1	1 1/4" F	1" M	11



© Davis & Shirtliff 2014. Contents herein are not warranted. The right is reserved to amend specifications without notice. www.davisandshirtliff.com

DV64B-02/11

KENYA

NAIROBI - HEAD OFFICE
TEL: (+254 20) 6968 000
headoffice@dayliff.com

NAIROBI - WESTLANDS
TEL: (+254 20) 44480116,
westlands@dayliff.com

NAIROBI - DOWNTOWN
TEL: (+254 20) 340102
downtown@dayliff.com

NAIROBI - KAREN
TEL: (+254 20) 3883513
karen@dayliff.com

THIKA
TEL: (+254 67) 20084/5
thika@dayliff.com

ELDORET
TEL: (+254 53) 2061906
eldoret@dayliff.com

NAKURU

TEL: (+254 51) 2213248
nakuru@dayliff.com

KISUMU

TEL: (+254 57) 2024763
ksumoffice@dayliff.com

KISII

TEL: (+254 58) 2030949
kisi@dayliff.com

NAIVASHA

TEL: (+254 50) 2030510
naivasha@dayliff.com

MACHAKOS

TEL: (+254 40) 2021668
machakos@dayliff.com

MERU

TEL: (+254 64) 3131033
meru@dayliff.com

GARISSA

TEL: (+254 46) 2102620
garissa@dayliff.com

KENYA COAST

MOMBASA - Main Office
TEL: (+254 20) 2040432
d&smbsa@dayliff.com

MALINDI

TEL: (+254 42) 2120425
malindi@dayliff.com

DIANI

TEL: (+254 40) 3202181
dianioffice@dayliff.com

LAMU

TEL: (+254 20) 265105256
lamu@dayliff.com

NYALI

TEL: (+254 20) 2443357
d&nyali@dayliff.com

VOI

TEL: (+254 20) 2028284
voi@dayliff.com

ETHIOPIA

ADDIS ABABA
TEL: (+251 11) 515934144
dðiopia@dayliff.com

RWANDA

KIGALI
TEL: (+250 252) 504039
rwoffice@dayliff.com

UGANDA

KAMPALA - Main Office
TEL: (+256 414) 3463378
d&kampala@dayliff.com

KAMPALA - NAKESERO

TEL: (+256 392) 734633
d&nakaser@dayliff.com

GULU

TEL: (+256 471) 433041
d&gulu@dayliff.com

MBARARA

TEL: (+256 753) 940 080
d&ambarara@dayliff.com

TANZANIA

DAR ES SALAAM - Main Office
TEL: (+255 22) 21125156
d&daressalaam@dayliff.com

DAR ES SALAAM - KARIAKOO

TEL: (+255 22) 2184867
d&skariskoo@dayliff.com

ARUSHA

TEL: (+255 27) 2547317/8
arusha@dayliff.com

ZANZIBAR

TEL: (+255 24) 2234660/1
zanzibar@dayliff.com

MWANZA

TEL: (+255 28) 2541971/2
d&mwanza@dayliff.com

ZAMBIA

LUSAKA - Main Office
TEL: (+260 211) 288010/1
d&slusaka@dayliff.com

NDOLA

TEL: (+260 212) 610936/7
d&sndola@dayliff.com

KITWE

TEL: (+260 212) 221747/67
d&skitwe@dayliff.com

LIVINGSTONE

TEL: (+260 213) 320002/234
d&livingstone@dayliff.com

SOUTH SUDAN

JUBA
TEL: (+211 956) 397 070
juba@dayliff.com