

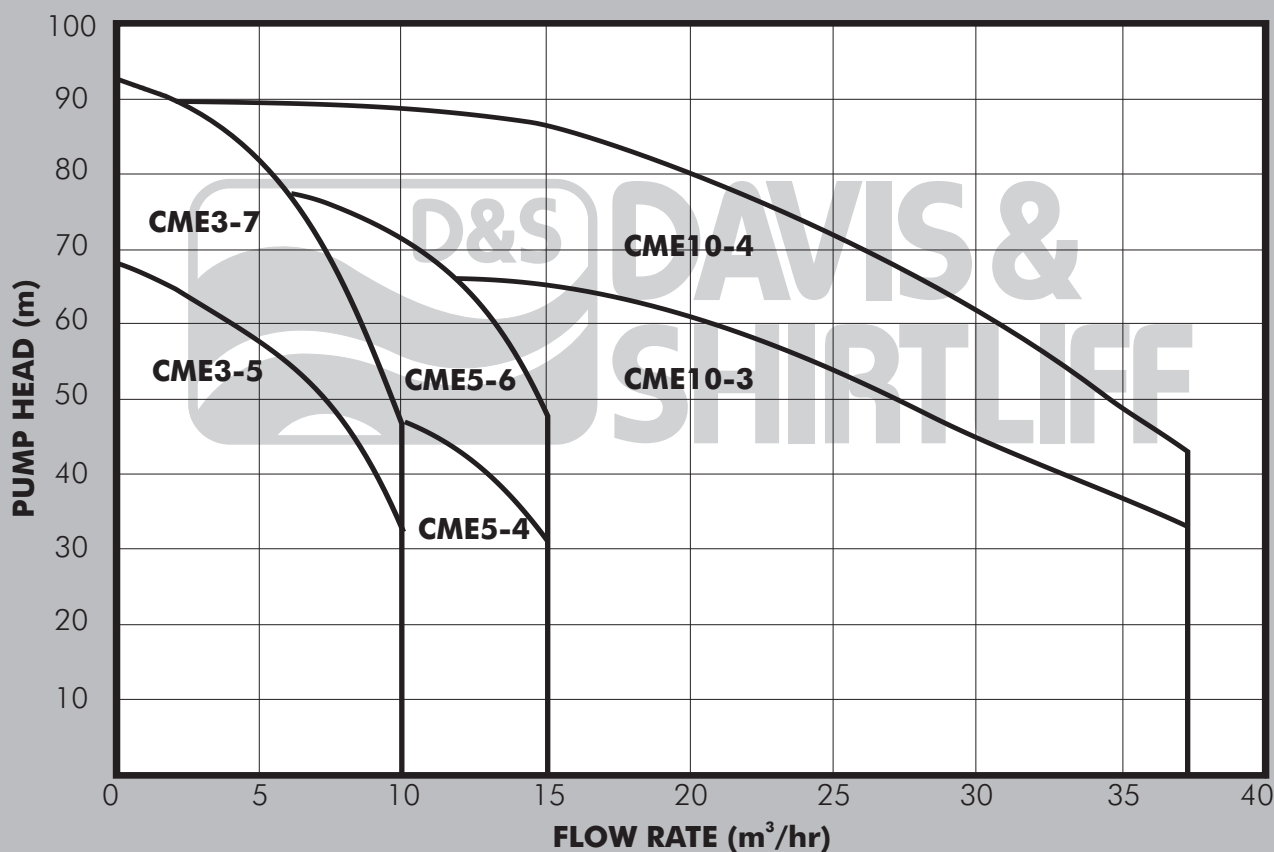
GRUNDFOS®



DATA SHEET

Variable Speed
Control Booster Sets

HYDROMULTI-B



PUMP

Grundfos Hydro Multi B booster systems are designed for water pressure boosting in residential, institutional and commercial installations with multiple consumer outlets. Pumps are fitted with variable speed control motors which enable the system to provide constant output pressure whatever the demand. All sets are complete and ready for installation including a pair of high efficiency Grundfos CME horizontal multi stage end suction pumps that incorporate an integral frequency converter all frame mounted together with valves, sensors, diaphragm tank and control cabinet incorporating a Grundfos CU323 controller.

SYSTEM OPERATION

Sensors in the delivery pipe monitor system pressure and adjust speed to provide the demand flow at the constant pre-set pressure. Pumps operate in parallel with the second pump cutting in as demand rises thus ensuring maximum efficiency operation, extended pump life and silent running.

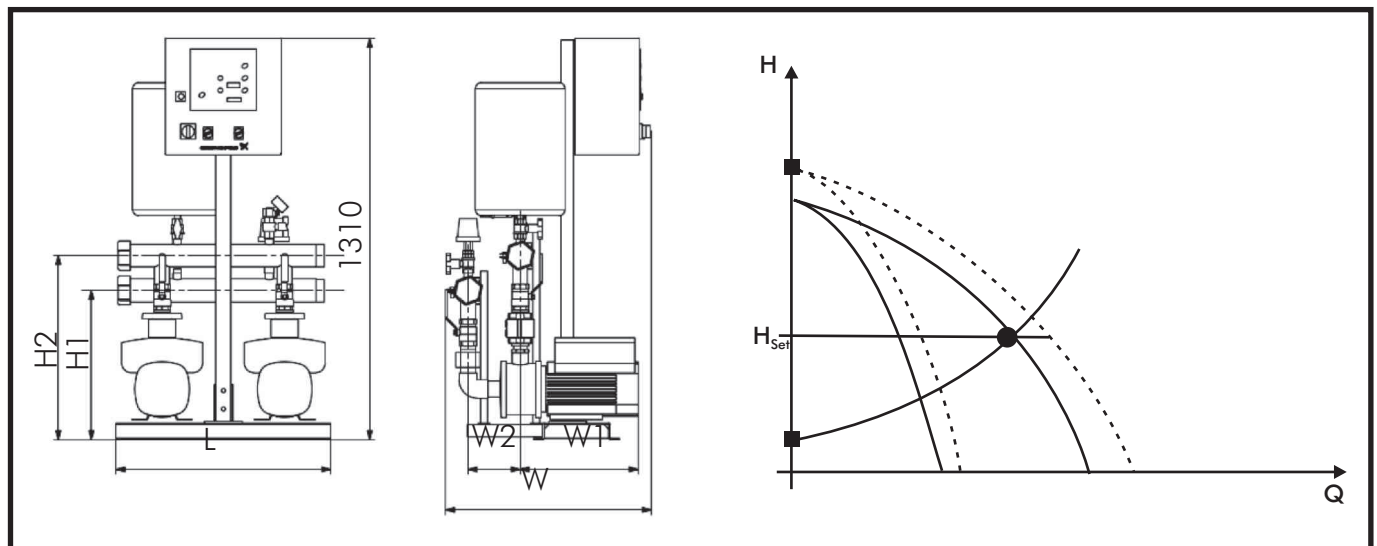
Systems are controlled by the Grundfos CU323 controller that features digital displays, as well as system operation and fault indicator lights and provides the following functions:-

- Pump sequence control ensuring that system demand is met in the most efficient way as well as an auto pump changeover to equalise operating hours.
- Dry run protection by float or pressure switch with selectable auto restart.
- Protection functions including max number of starts per hour, minimum cycle times, over pressure and motor over current.

DIMENSIONS & WEIGHTS

Pump	Voltage (V)	Power (kW)	Nominal Flow (m ³ /bar)	Set Pressure (bar)	Tank Size (L)	Dimensions (mm)					Weight (Kg)
						DN	L	H ₁	H ₂	W	
CME3-5	3x415	2x1.1	9.2	4	8	2"	700	409	499	664	98
CME3-7		2x1.5	9.0	6	8	2"	700	424	514	716	124
CME5-4		2x1.5	13	4	18	2"	700	431	514	663	127
CME5-6		2x2.2	13	6	18	2"	700	431	514	717	138
CME10-3		2x5.5	33	4	24	2½"	700	499	613	695	197
CME10-4		2x5.5	31	6	24	2½"	700	499	613	726	199

For pump details check respective data sheets



KENYA NAIROBI - HEAD OFFICE TEL: (+254 20) 6968 000 headoffice@dayliff.com NAIROBI - WESTLANDS TEL: (+254 20) 444801116, westlands@dayliff.com NAIROBI - DOWNTOWN TEL: (+254 20) 340102 downtown@dayliff.com NAIROBI - KAREN TEL: (+254 20) 3883513 karen@dayliff.com THIKA TEL: (+254 67) 20084/5 thika@dayliff.com ELDORET TEL: (+254 53) 2061906 eldoret@dayliff.com	NAKURU TEL: (+254 51) 2213248 nakuruoffice@dayliff.com KISUMU TEL: (+254 57) 2024763 ksumoffice@dayliff.com KISII TEL: (+254 58) 2030949 kisii@dayliff.com NAIVASHA TEL: (+254 50) 2030510 naivasha@dayliff.com MACHAKOS TEL: (+254 40) 2021668 machakos@dayliff.com MERU TEL: (+254 64) 3131033 meru@dayliff.com	GARISSA TEL: (+254 46) 2102620 gariissa@dayliff.com KENYA COAST MOMBASA - Main Office TEL: (+254 20) 2040432 d8smsa@dayliff.com MALINDI TEL: (+254 42) 2120425 mdoffice@dayliff.com DIANI TEL: (+254 40) 3202181 dianioffice@dayliff.com LAMU TEL: (+254 20) 265105256 lamu@dayliff.com	NYALI TEL: (+254 20) 2443357 d8s@nyali.dayliff.com VOI TEL: (+254 20) 2028284 voi@dayliff.com ETHIOPIA ADDIS ABABA TEL: (+251 11) 515934144 d8sethiopia@dayliff.com RWANDA KIGALI TEL: (+250 252) 504039 rwoffice@dayliff.com	UGANDA KAMPALA - Main Office TEL: (+256 414) 3463378 d8skampala@dayliff.com KAMPALA - NAKESERO TEL: (+256 392) 734633 d8snakasero@dayliff.com GULU TEL: (+256 471) 433041 d8sgulu@dayliff.com MBARARA TEL: (+256 753) 940 080 d8smbarara@dayliff.com	TANZANIA DAR ES SALAAM - Main Office TEL: (+255 22) 21125156 d8sdarressalaam@dayliff.com DAR ES SALAAM - KARIAKOO TEL: (+255 22) 2184867 d8skariakoo@dayliff.com ARUSHA TEL: (+255 27) 2547317/8 arussha@dayliff.com ZANZIBAR TEL: (+255 24) 2234660/1 zanzibar@dayliff.com MWANZA TEL: (+255 28) 2541971/2 d8smwanza@dayliff.com	ZAMBIA LUSAKA - Main Office TEL: (+260 211) 288010/1 d8slusaka@dayliff.com NDOLA TEL: (+260 212) 610936/7 d8sndola@dayliff.com KITWE TEL: (+260 212) 221747/6/7 d8skitwe@dayliff.com LIVINGSTONE TEL: (+260 213) 320002/3/4 d8slivingstone@dayliff.com SOUTH SUDAN JUBA TEL: (+211 956) 397 070 juba@dayliff.com
--	---	---	---	---	--	--