

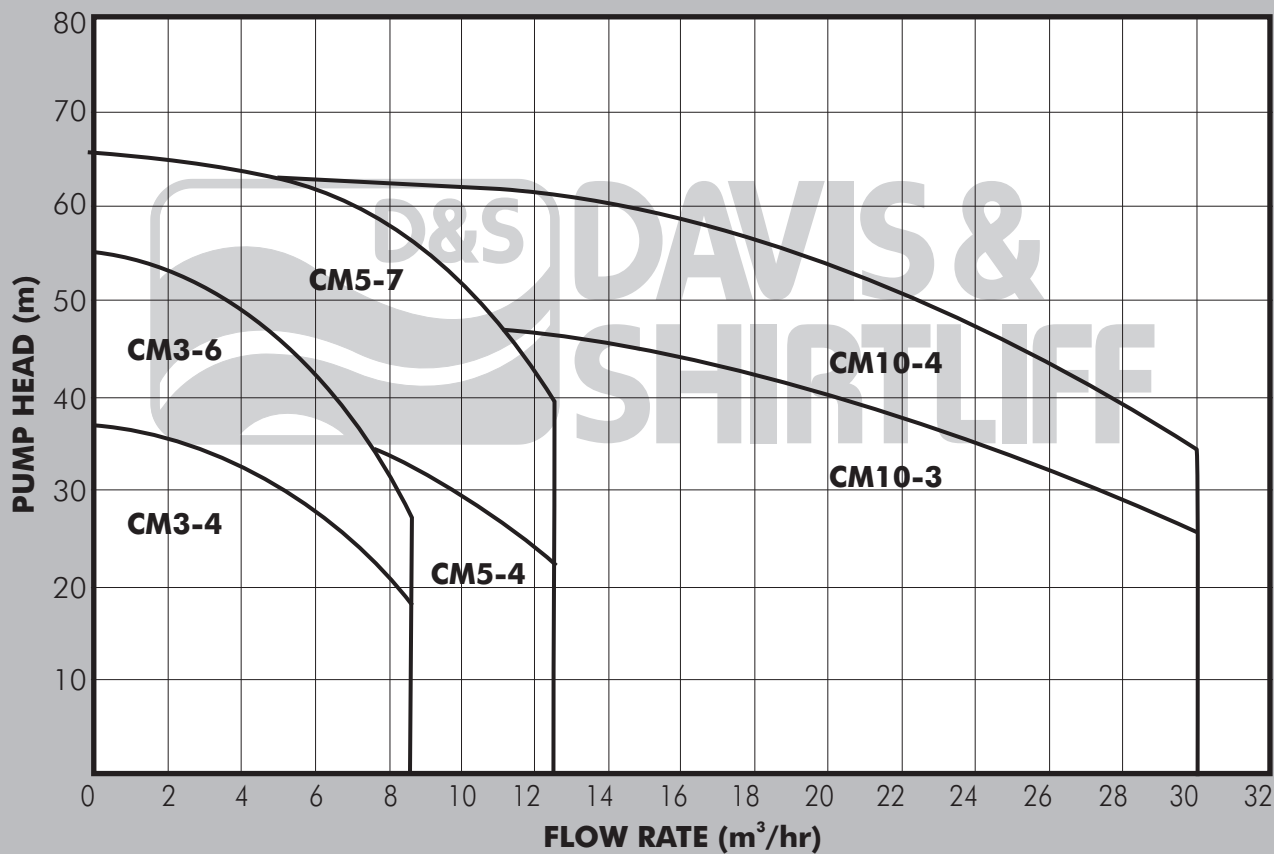
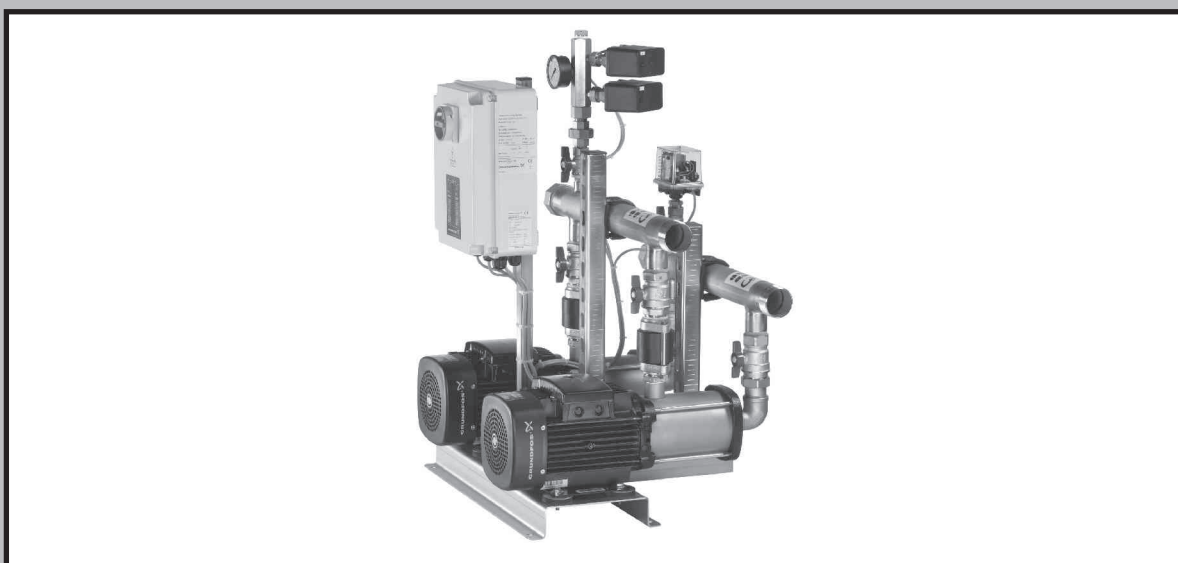
GRUNDFOS®



DATA SHEET

Pressure Control
Booster Sets

HYDROMULTI-S



Grundfos Hydro Multi S booster systems are designed for water pressure boosting in residential, institutional and commercial installations with multiple consumer outlets. All sets include a pair of Grundfos CM horizontal multistage end-suction pumps connected in parallel and frame mounted together with suction and discharge manifolds, valves, pressure gauge, pressure switches and a control unit providing motor protection. Also required is a diaphragm pressure tank that is supplied separately.

SYSTEM OPERATION

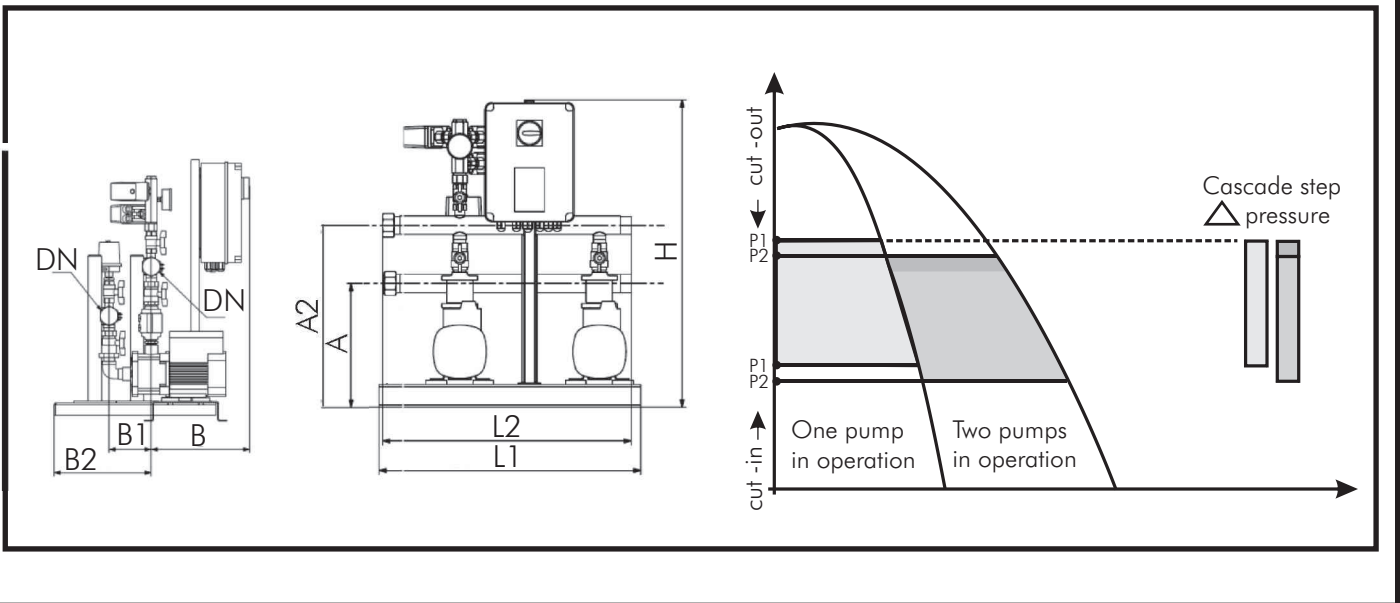
Systems are designed to give controlled pressure output at various demand levels and are operated by individual pressure switches that start and stop the pumps according to system pressure. The pumps are parallel connected to provide sequential operation, the #2 pump cutting in at higher demand levels. This gives the benefit of reduced energy consumption at lower demand levels, continuity of supply in the event of one pump fault and reduced capital cost. The control unit also offers the following features:-

- Auto pump changeover each operating cycle
- Auto pump disconnection in the event of fault status
- Dry run protection by pressure or level switch and auto resetting of dry run fault
- Current overload motor protection
- #2 pump start and stop delay.

DIMENSIONS & WEIGHTS

| Model | Voltage (V) | Power (kW) | Nominal Flow (m ³ /hr) | Set Pressure (bar) | Tank Size (L) | Dimensions (mm) | | | | | Weight (Kg) |
|--------|-------------|------------|-----------------------------------|--------------------|---------------|-----------------|-----|-----|-----|-----|-------------|
| | | | | | | L | W | H | A1 | A2 | |
| CM3-4 | 1x240 | 2x0.5 | 7 | 2.5 | 33 | 590 | 615 | 815 | 330 | 480 | 68 |
| CM3-6 | | 2x0.7 | 7 | 4 | 33 | 590 | 615 | 815 | 330 | 480 | 73 |
| CM5-4 | | 2x0.7 | 12 | 2.5 | 60 | 590 | 615 | 865 | 385 | 530 | 76 |
| CM5-7 | 3x415 | 2x1.6 | 12 | 4 | 60 | 590 | 615 | 880 | 400 | 545 | 96 |
| CM10-3 | | 2x2.2 | 25 | 2.5 | 130 | 625 | 615 | 960 | 450 | 615 | 122 |
| CM10-4 | | 2x3.2 | 25 | 4 | 130 | 625 | 715 | 960 | 450 | 615 | 122 |

For pump details check respective data sheets



| | | | | | | |
|---|---|---|---|--|---|--|
| KENYA NAIROBI - HEAD OFFICE TEL: (+254 20) 6968 000 headoffice@dayliff.com NAIROBI - WESTLANDS TEL: (+254 20) 44480116, westlands@dayliff.com NAIROBI - DOWNTOWN TEL: (+254 20) 340102 downtown@dayliff.com NAIROBI - KAREN TEL: (+254 20) 3883513 karen@dayliff.com THIKA TEL: (+254 67) 20084/5 thika@dayliff.com ELDORET TEL: (+254 53) 2061306 eldoret@dayliff.com | NAKURU TEL: (+254 51) 2213248 nkroffice@dayliff.com KISUMU TEL: (+254 57) 2024763 ksmoffice@dayliff.com KISII TEL: (+254 58) 2030949 ksii@dayliff.com NAIVASHA TEL: (+254 50) 2030510 naivasha@dayliff.com MACHAKOS TEL: (+254 40) 2021668 naivasha@dayliff.com MERU TEL: (+254 64) 3131033 meru@dayliff.com | GARISSA TEL: (+254 46) 2102620 garissa@dayliff.com KENYA COAST MOMBASA - Main Office TEL: (+254 20) 2040432 dsmmsa@dayliff.com MALINDI TEL: (+254 42) 2120425 mdoffice@dayliff.com DIANI TEL: (+254 40) 3202181 dianooffice@dayliff.com LAMU TEL: (+254 20) 265105256 lamu@dayliff.com | NYALI TEL: (+254 20) 2443357 d8s@nyali.dayliff.com VOI TEL: (+254 20) 2028284 voi@dayliff.com ETHIOPIA ADDIS ABABA TEL: (+251 11) 515934144 d8sethiopia@dayliff.com RWANDA KIGALI TEL: (+250 252) 504039 rwoffice@dayliff.com | UGANDA KAMPALA - Main Office TEL: (+256 414) 346337/8 d8skampala@dayliff.com KAMPALA - NAKESERO TEL: (+256 392) 734633 d8snakesero@dayliff.com GULU TEL: (+256 471) 433041 d8sgulu@dayliff.com MBARARA TEL: (+256 753) 940 080 d8smbarara@dayliff.com | TANZANIA DAR ES SALAAM - Main Office TEL: (+255 22) 21125156 d8sdaressalaam@dayliff.com DAR ES SALAAM - KARIAKOO TEL: (+255 392) 2184867 d8skariakoo@dayliff.com ARUSHA TEL: (+255 27) 2547317/8 arussha@dayliff.com ZANZIBAR TEL: (+255 24) 2234660/1 zanzibar@dayliff.com MWANZA TEL: (+255 28) 2541971/2 d8smanza@dayliff.com | ZAMBIA LUSAKA - Main Office TEL: (+260 211) 288010/1 d8slusaka@dayliff.com NDOLA TEL: (+260 212) 610936/7 d8sndola@dayliff.com KITWE TEL: (+260 212) 221747/6/7 d8skitwe@dayliff.com LIVINGSTONE TEL: (+260 213) 320002/234 d8slivingstone@dayliff.com SOUTH SUDAN JUBA TEL: (+211 956) 397 070 juba@dayliff.com |
|---|---|---|---|--|---|--|