

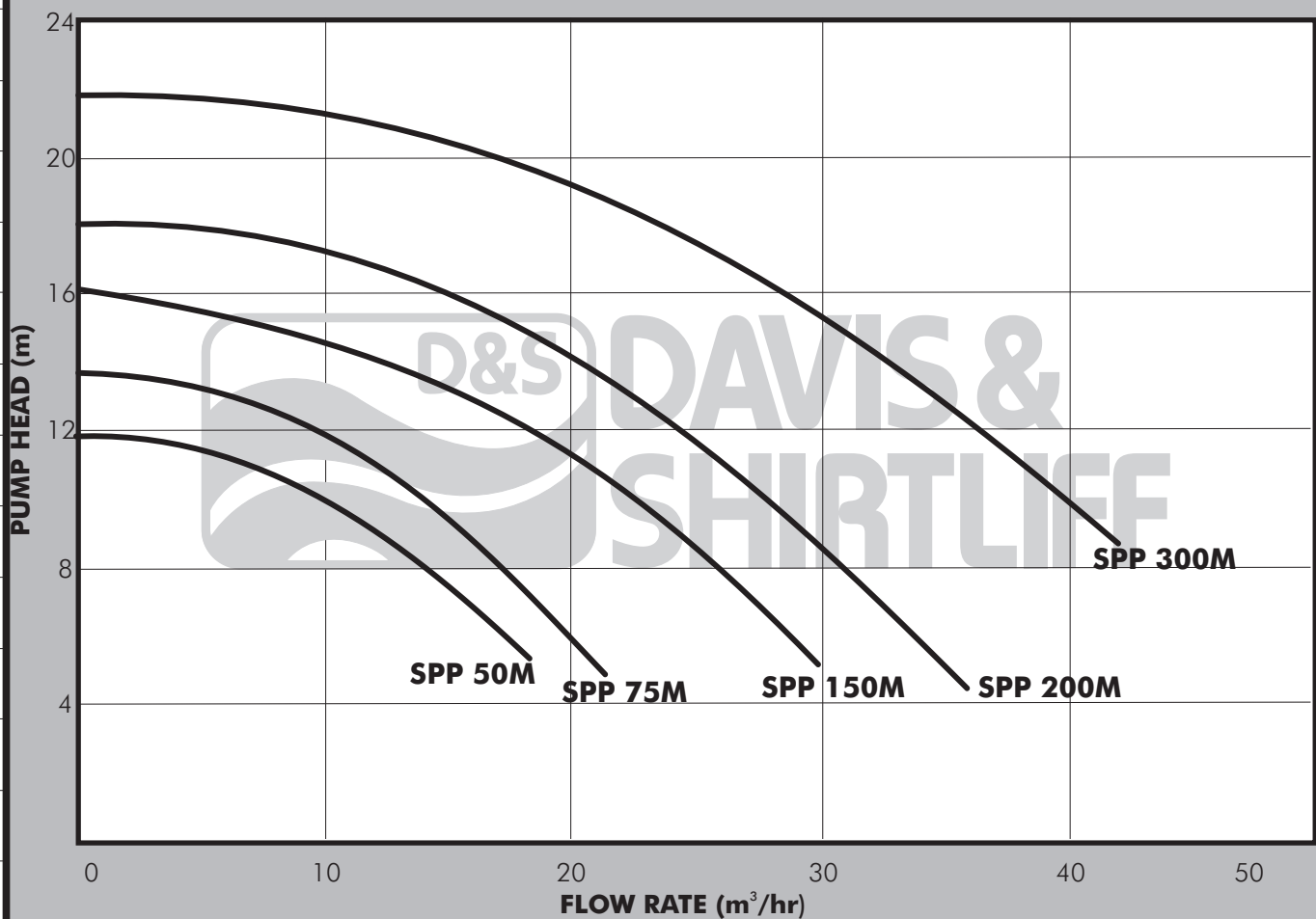
# LEADER<sup>®</sup>

from **DWT** a Grundfos Company

## DATA SHEET

Swimming  
Pool Pumps

## EUROSWIM



## PUMPS

Leader EUROSWM pool pump are specially designed using the latest technology, materials and components for all domestic and small size institutional swimming pool applications. Features include a large pre-filter with see through lid, an ultra silent (67dBA) high efficiency motor and reinforced inlet and outlet ports. All pump components are made from corrosion resistant technopolymer plastic reinforced with glass fibre for long life and durability.

## MOTOR

The pump incorporates a TEFC motor with in-built thermal overload protection. The motor can be connected directly to mains power supply through a fuse or MCB.

**Enclosure Class:** IP55      **Voltage:** 1x240V      **Insulation Class:** F      **Speed:** 2800rpm

## OPERATING CONDITIONS

**Pumped liquid:** Thin, clean, chemically non aggressive liquids without solids or fibres.

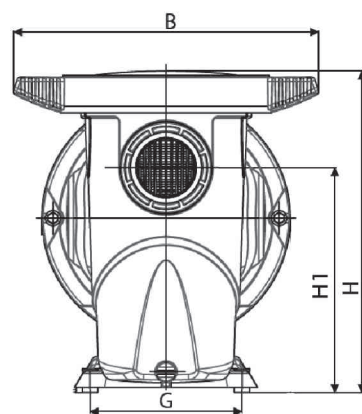
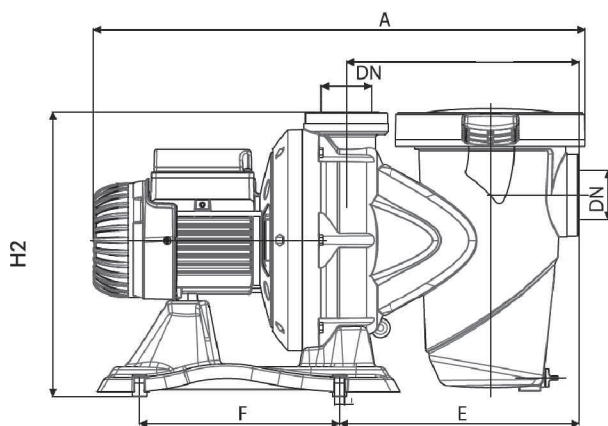
**Maximum Fluid Temperature:** +60°C

**Maximum Ambient Temperature:** +50°C

**Maximum Operating Pressure:** 10 Bar

## PUMP DATA

Model	Power			Dimensions (mm)									Weight (kg)
	kW	Voltage (V)	Current (A)	DN	A	B	E	F	G	H	H1	H2	
Euroswim SPP 50M	0.33	1X240	4.2	2"	542	300	265	220	150	317	222	314	11
Euroswim SPP 75M	0.5	1X240	5	2"	559	300	265	220	150	317	222	314	12
Euroswim SPP 150M	1.1	1X240	7	2"	581	311	274	220	150	353	258	350	12
Euroswim SPP 200M	1.5	1X240	8.6	2"	655	311	274	220	150	353	258	350	20
Euroswim SPP 300M	2.2	1X240	12	2"	648	311	274	220	150	387	258	350	24



### KENYA

**NAIROBI - HEAD OFFICE**  
 TEL: (+254 20) 6968 000  
[headoffice@dayliff.com](mailto:headoffice@dayliff.com)  
**NAIROBI - WESTLANDS**  
 TEL: (+254 20) 44480116,  
[westlands@dayliff.com](mailto:westlands@dayliff.com)  
**NAIROBI - DOWNTOWN**  
 TEL: (+254 20) 340102  
[downtown@dayliff.com](mailto:downtown@dayliff.com)  
**NAIROBI - KAREN**  
 TEL: (+254 20) 3883513  
[karen@dayliff.com](mailto:karen@dayliff.com)  
**THIKA**  
 TEL: (+254 67) 20084/5  
[thika@dayliff.com](mailto:thika@dayliff.com)  
**ELDORET**  
 TEL: (+254 53) 2061306  
[eldoret@dayliff.com](mailto:eldoret@dayliff.com)

### NAKURU

TEL: (+254 51) 2213248  
[nkroffice@dayliff.com](mailto:nkroffice@dayliff.com)  
**KISUMU**  
 TEL: (+254 57) 2024763  
[ksmoffice@dayliff.com](mailto:ksmoffice@dayliff.com)  
**KISII**  
 TEL: (+254 58) 2030949  
[kisii@dayliff.com](mailto:kisii@dayliff.com)  
**NAIVASHA**  
 TEL: (+254 50) 2030510  
[naivasha@dayliff.com](mailto:naivasha@dayliff.com)  
**MACHAKOS**  
 TEL: (+254 40) 2021668  
[machakos@dayliff.com](mailto:machakos@dayliff.com)  
**MERU**  
 TEL: (+254 64) 3131033  
[meru@dayliff.com](mailto:meru@dayliff.com)

### GARISSA

TEL: (+254 46) 2102620  
[garissa@dayliff.com](mailto:garissa@dayliff.com)  
**KENYA COAST**  
**MOMBASA - Main Office**  
 TEL: (+254 20) 2040432  
[dsmbsa@dayliff.com](mailto:dsmbsa@dayliff.com)  
**MALINDI**  
 TEL: (+254 42) 2120425  
[mdoffice@dayliff.com](mailto:mdoffice@dayliff.com)  
**DIANI**  
 TEL: (+254 40) 3202181  
[dianioffice@dayliff.com](mailto:dianioffice@dayliff.com)  
**LAMU**  
 TEL: (+254 20) 2651052/56  
[lamu@dayliff.com](mailto:lamu@dayliff.com)

### NYALI

TEL: (+254 20) 2443357  
[d8s@nyali.dayliff.com](mailto:d8s@nyali.dayliff.com)  
**VOI**  
 TEL: (+254 20) 2028284  
[voi@dayliff.com](mailto:voi@dayliff.com)

### ETHIOPIA

**ADDIS ABABA**  
 TEL: (+251 11) 5159341/44  
[d8sethiopia@dayliff.com](mailto:d8sethiopia@dayliff.com)  
**RWANDA**  
**KIGALI**  
 TEL: (+254 20) 2541971/2  
[rwoffice@dayliff.com](mailto:rwoffice@dayliff.com)

### UGANDA

**KAMPALA - Main Office**  
 TEL: (+256 414) 346337/8  
[d8skampala@dayliff.com](mailto:d8skampala@dayliff.com)  
**KAMPALA - NAKESERO**  
 TEL: (+256 392) 734633  
[d8snakesero@dayliff.com](mailto:d8snakesero@dayliff.com)  
**GULU**  
 TEL: (+256 471) 433041  
[d8gulu@dayliff.com](mailto:d8gulu@dayliff.com)  
**MBARARA**  
 TEL: (+256 753) 940 080  
[d8smbarara@dayliff.com](mailto:d8smbarara@dayliff.com)

### TANZANIA

**DAR ES SALAAM - Main Office**  
 TEL: (+255 22) 212515/6  
[d8sdar salaam@dayliff.com](mailto:d8sdar salaam@dayliff.com)  
**DAR ES SALAAM - KARIAKOO**  
 TEL: (+255 22) 2184867  
[d8skariakoo@dayliff.com](mailto:d8skariakoo@dayliff.com)  
**ARUSHA**  
 TEL: (+255 27) 2547317/8  
[arusha@dayliff.com](mailto:arusha@dayliff.com)  
**ZANZIBAR**  
 TEL: (+255 24) 2234660/1  
[zanzibar@dayliff.com](mailto:zanzibar@dayliff.com)  
**MWANZA**  
 TEL: (+255 28) 2541971/2  
[d8smanza@dayliff.com](mailto:d8smanza@dayliff.com)

### ZAMBIA

**LUSAKA - Main Office**  
 TEL: (+260 211) 288010/1  
[d8slusaka@dayliff.com](mailto:d8slusaka@dayliff.com)  
**NDOLA**  
 TEL: (+260 212) 610936/7  
[d8sndola@dayliff.com](mailto:d8sndola@dayliff.com)  
**KITWE**  
 TEL: (+260 212) 221747/67  
[d8skitwe@dayliff.com](mailto:d8skitwe@dayliff.com)  
**LIVINGSTONE**  
 TEL: (+260 213) 320002/234  
[d8slivingstone@dayliff.com](mailto:d8slivingstone@dayliff.com)  
**SOUTH SUDAN**  
**JUBA**  
 TEL: (+211 956) 397 070  
[juba@dayliff.com](mailto:juba@dayliff.com)