

GRUNDFOS®

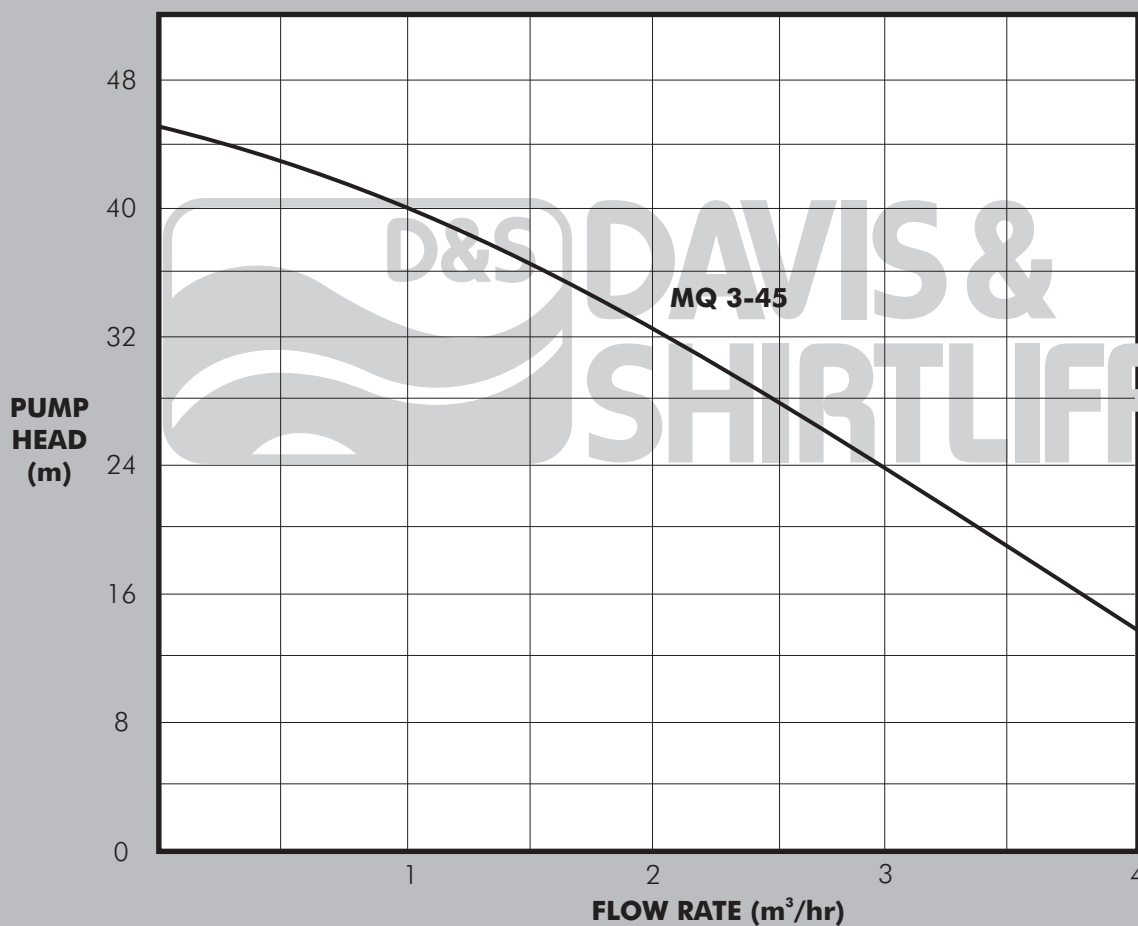
MADE IN DENMARK



DATA SHEET

Pressure
Pumps

MQ



PUMP

The Grundfos MQ is a state-of-the-art pressure controlled booster pump specially designed for automatic water supply in domestic and small-scale applications. The design incorporates a number of advanced features including:

- All-in-one design incorporating pump, motor, diaphragm tank, pressure control unit, control panel and non-return valve
- User-friendly control panel with operating status indicator lights
- Self-priming design
- Built-in protection functions including electrical overload and run-dry shutdown with automatic reset
- Flexible pipe connection unions.
- Exceptionally quiet operation.

Automatic control is provided by means of in-built sensors which cut-off the pump at low flows and re-start it either when line pressure drops or flow increases the in-built diaphragm tank reducing cycle frequency. Pump construction is a stainless steel pump housing with glass fibre reinforced plastic used for the majority of hydraulic components.

MOTOR

The MQ incorporates an integral TEFC motor with built-in protection for voltage fluctuation and electrical overload. The motor can be connected directly to the mains electrical supply, though 10amps fuse or MCB protection is required.

Voltage: 1 x 220 - 240V, 50Hz

Running Current: 4.5amps

Power Consumption: 0.67kW

Enclosure class: IP54

Speed: 2900rpm

Insulation Class: B

OPERATING CONDITIONS

Pumped Liquid: Thin, clean, chemically non-aggressive liquids without solids or fibres.

Max. Liquid Temperature: +35°C

Max. Ambient Temperature: +45°C

Max. Suction Lift: 8m (at sea level)

Cut-in Condition: 2 Bar or 12 l/min, whichever occurs first

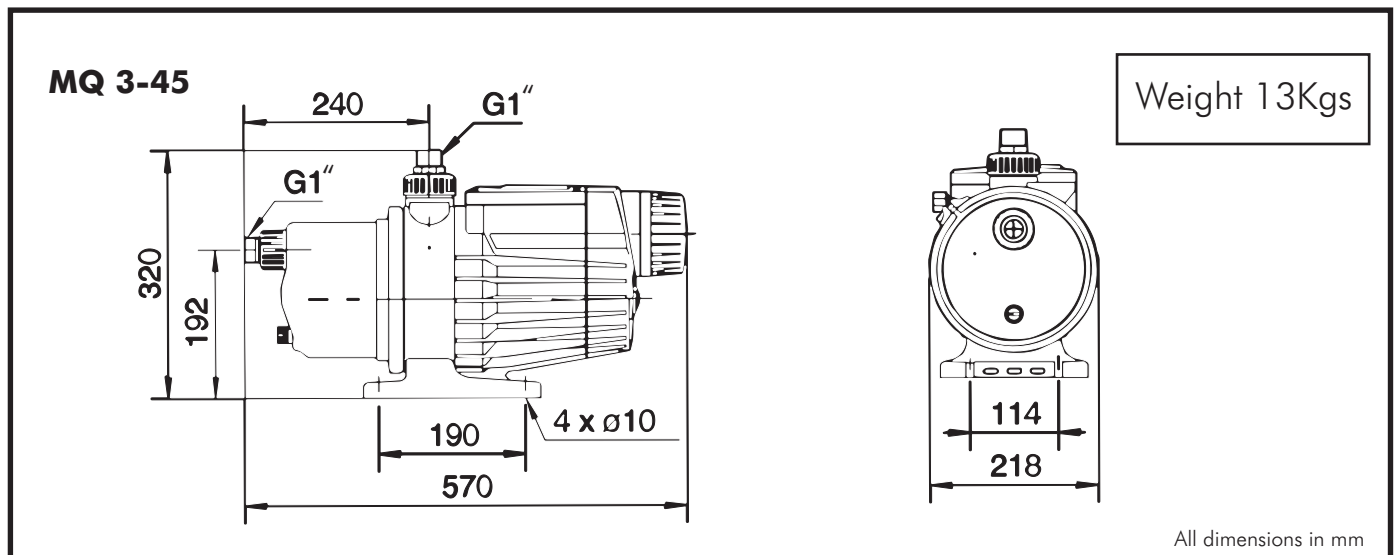
Cut-out Flow: 1.2l/min

Max. Pump Pressure: 4.5Bar

Max. System Pressure: 7.5Bar

Max. Inlet Pressure: 3Bar

DIMENSIONS AND WEIGHT



© Davis & Shirliff 2014. Contents herein are not warranted. The right is reserved to amend specifications without notice. www.davisandshirliff.com

BG27C-08/04

KENYA
NAIROBI - HEAD OFFICE
 TEL: (+254 20) 6968 000
headoffice@dayliff.com
NAIROBI - WESTLANDS
 TEL: (+254 20) 44480116,
westlands@dayliff.com
NAIROBI - DOWNTOWN
 TEL: (+254 20) 340102
downtown@dayliff.com
NAIROBI - KAREN
 TEL: (+254 20) 3883513
karen@dayliff.com
THIKA
 TEL: (+254 67) 20084/5
thika@dayliff.com
ELDORET
 TEL: (+254 53) 2061906
eldoret@dayliff.com

NAKURU
 TEL: (+254 51) 2213248
nakuru@dayliff.com
KISUMU
 TEL: (+254 57) 2024763
ksumoffice@dayliff.com
KISII
 TEL: (+254 58) 2030949
kisii@dayliff.com
NAIVASHA
 TEL: (+254 50) 2030510
naivasha@dayliff.com
MACHAKOS
 TEL: (+254 40) 2021668
naivasha@dayliff.com
MERU
 TEL: (+254 64) 3131033
meru@dayliff.com

GARISSA
 TEL: (+254 46) 2102620
garissa@dayliff.com
KENYA COAST
MOMBASA - Main Office
 TEL: (+254 20) 2040432
d&msasa@dayliff.com
MALINDI
 TEL: (+254 42) 2120425
midoffice@dayliff.com
DIANI
 TEL: (+254 40) 3202181
dianioffice@dayliff.com
LAMU
 TEL: (+254 20) 2651052/56
lamu@dayliff.com

NYALI
 TEL: (+254 20) 2443357
d&nyali.dayliff.com
VOI
 TEL: (+254 20) 2028284
voi@dayliff.com
ETHIOPIA
ADDIS ABABA
 TEL: (+251 11) 5159341/44
d&sethiopia@dayliff.com
RWANDA
KIGALI
 TEL: (+250 252) 504039
rwoffice@dayliff.com

UGANDA
KAMPALA - Main Office
 TEL: (+256 414) 346337/8
d&skampala@dayliff.com
KAMPALA - NAKESERO
 TEL: (+256 392) 734633
d&snakaseroo@dayliff.com
GULU
 TEL: (+256 471) 433041
d&sgulu@dayliff.com
MBARARA
 TEL: (+256 753) 940 080
d&smbarara@dayliff.com

TANZANIA
DAR ES SALAAM - Main Office
 TEL: (+255 22) 2112515/6
d&sdarressalaam@dayliff.com
DAR ES SALAAM - KARIAKOO
 TEL: (+255 22) 2184867
d&skariakoo@dayliff.com
ARUSHA
 TEL: (+255 27) 2547317/8
arussha@dayliff.com
ZANZIBAR
 TEL: (+255 24) 2234660/1
zanzibar@dayliff.com
MWANZA
 TEL: (+255 28) 2541971/2
d&smwanza@dayliff.com

ZAMBIA
LUSAKA - Main Office
 TEL: (+260 211) 288010/1
d&slusaka@dayliff.com
NDOLA
 TEL: (+260 212) 610936/7
d&sndola@dayliff.com
KITWE
 TEL: (+260 212) 221747/67
d&skitwe@dayliff.com
LIVINGSTONE
 TEL: (+260 213) 320002/234
d&slivingstone@dayliff.com
SOUTH SUDAN
JUBA
 TEL: (+211 956) 397 070
juba@dayliff.com