

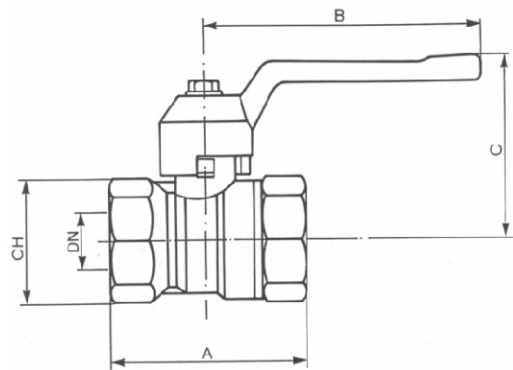
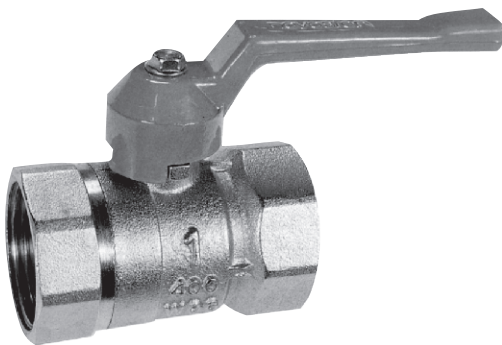
novasfer

MADE IN ITALY

DATA SHEET

Brass Ball Valves & Cocks

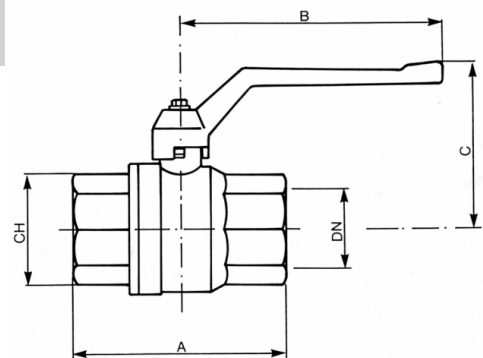
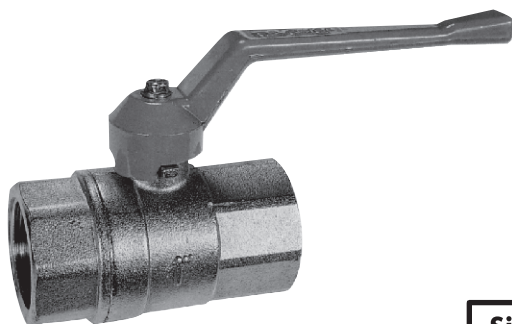
Standard Ball Valves



- Full Port
- Aluminium Lever Handle
- Fx F BSP Thread
- Maximum 45 Bar Working

Size	1/2"	3/4"	1"	1 1/4"	1 1/2"	2"	2 1/2"	3"	4"
DN	15	20	25	32	40	50	62	75	100
CH	25	31	38	48	54	67	81	95	122
C	47	51	63	68.5	84	92	126	154	173
B	75	75	110	110	140	140	175	250	250
A	46	56.5	65.5	77	88.5	101.5	129.5	146	181

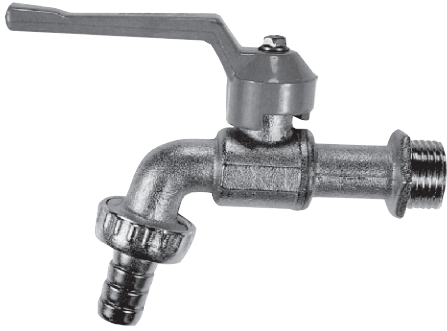
Premium Ball Valves



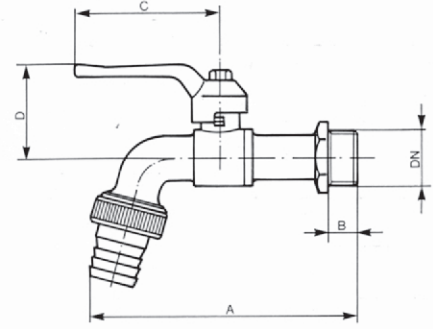
- Heavy Duty Construction
- Full Port Ball
- Steel Lever Handle (up to 2")
- Fx F BSP Extended Thread
- ISO7/DIN 2999 Rating
- Maximum 60 Bar Working Pressure

Size	1/2"	3/4"	1"	1 1/4"	1 1/2"	2"
DN	15	20	25	32	40	50
A	59	67	77	92	101	122
B	75	75	110	110	140	140
C	47	51	63	68	84	92
CH	26	32	40	49	55	68

Ball Hose Cocks

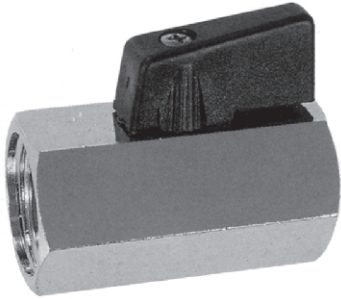


- Aluminium Lever Handle
- Hose End Included
- Male BSP Connection

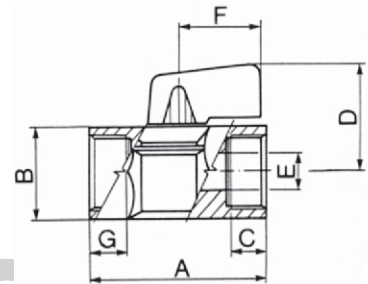


Size	1/2"	3/4"
DN	10	12
A	105	120
B	11	14
C	75	75
D	45	45

Mini Ball Cocks



- Reduced Port
- FxF BSP Thread
- Maximum Working Pressure 10 Bar

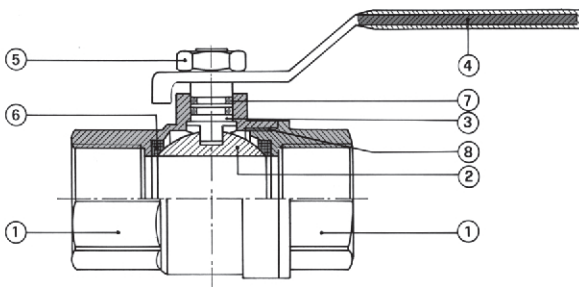


Size	3/8"	1/2"
A	42	47
B	21	25
C	9	10,5
D	27	29
E	8	10
F	22	22

MATERIAL

1. **Forged body and connector:** Brass OT 58 CuPb2ZnSn
2. **Ball:** Brass, solid OT 58 CuPb2ZnSn
3. **Stem:** Brass OT 58 CuPb2ZnSn
4. **Lever handle:** Steel or Aluminium
5. **Screw for lever:** Brass
6. **Ball Seat:** PTFE pure
7. **Steam Seal:** O-ring in VITON/NBR
8. **Thread Seal:** Loctite 2701 (DIN 30661)

NB: All valves with bottom entry blow-out proof stem.



KENYA

NAIROBI - HEAD OFFICE
 TEL: (+254 20) 6968 000
headoffice@dayliff.com
NAIROBI - WESTLANDS
 TEL: (+254 20) 444801116,
westlands@dayliff.com
NAIROBI - DOWNTOWN
 TEL: (+254 20) 340102
downtown@dayliff.com
NAIROBI - KAREN
 TEL: (+254 20) 3883513
karen@dayliff.com
THIKA
 TEL: (+254 67) 20084/5
thika@dayliff.com
ELDORET
 TEL: (+254 53) 2061306
eldoret@dayliff.com

NAKURU

TEL: (+254 51) 2213248
nkroffice@dayliff.com
KISUMU
 TEL: (+254 57) 2024763
ksmoffice@dayliff.com
KISII
 TEL: (+254 58) 2030949
kisi@dayliff.com
NAIVASHA
 TEL: (+254 50) 2030510
naivasha@dayliff.com
MACHAKOS
 TEL: (+254 40) 2021668
naivasha@dayliff.com
MERU
 TEL: (+254 64) 3131033
meru@eld.dayliff.com

GARISSA

TEL: (+254 46) 2102620
garissa@dayliff.com
KENYA COAST
MOMBASA - Main Office
 TEL: (+254 20) 2040432
dsmmbasa@dayliff.com
MALINDI
 TEL: (+254 42) 2120425
mdoffice@dayliff.com
DIANI
 TEL: (+254 40) 3202181
dianioffice@dayliff.com
LAMU
 TEL: (+254 20) 2651052/56
lamu@dayliff.com

NYALI

TEL: (+254 20) 2443357
d8s@nyali.dayliff.com
VOI
 TEL: (+254 20) 2028284
voi@dayliff.com
ETHIOPIA
ADDIS ABABA
 TEL: (+251 11) 515934144
d8sethiopia@dayliff.com
RWANDA
KIGALI
 TEL: (+250 252) 504039
rwoffice@dayliff.com

UGANDA

KAMPALA - Main Office
 TEL: (+256 414) 346337/8
d8skampala@dayliff.com
KAMPALA - NAKESERO
 TEL: (+256 392) 734633
d8snakesero@dayliff.com
GULU
 TEL: (+256 471) 433041
d8sgulu@dayliff.com
MBARARA
 TEL: (+256 753) 940 080
d8smbarara@dayliff.com

TANZANIA

DAR ES SALAAM - Main Office
 TEL: (+255 22) 2112515/6
d8sdaressalaam@dayliff.com
DAR ES SALAAM - KARIAKOO
 TEL: (+255 22) 2184867
d8skariakoo@dayliff.com
ARUSHA
 TEL: (+255 27) 2547317/8
arusaha@dayliff.com
ZANZIBAR
 TEL: (+255 24) 2234660/1
zanzibar@dayliff.com
MWANZA
 TEL: (+255 28) 2541971/2
d8smwanza@dayliff.com

ZAMBIA

LUSAKA - Main Office
 TEL: (+260 211) 288010/1
d8slusaka@dayliff.com
NDOLA
 TEL: (+260 212) 610936/7
d8sndola@dayliff.com
KITWE
 TEL: (+260 212) 221747/67
d8skitwe@dayliff.com
LIVINGSTONE
 TEL: (+260 213) 320002/234
d8slivingstone@dayliff.com
SOUTH SUDAN
JUBA
 TEL: (+211 956) 397 070
juba@dayliff.com