

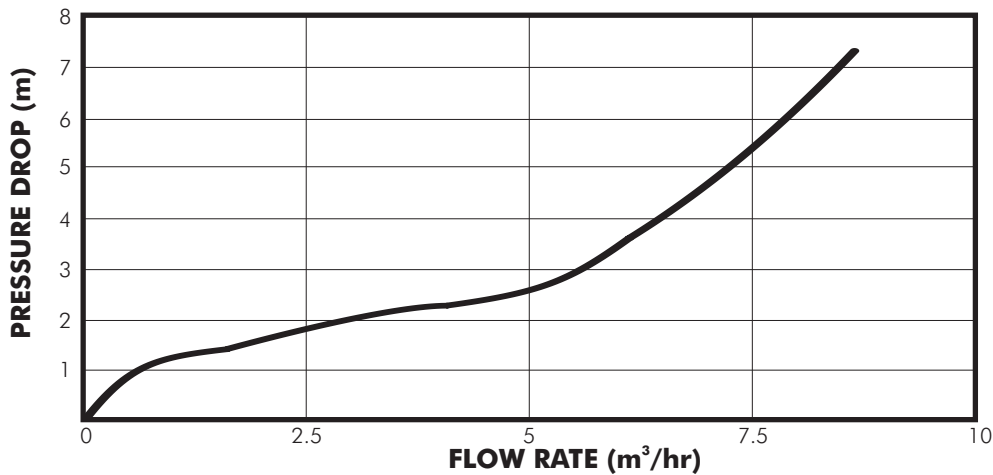


The Grundfos PM1 Pressure Manager is an integrated pump controller designed for automatic control of small scale domestic water pumps with a special application to Grundfos CM booster and SQ borehole models. Pressure Manager provides on-demand water supply with the pump starting on low system pressure and stopping on low flow. Particular features include:-

- Automatic pump operation as determined by user demand.
- No flow and loss of prime protection with alarm
- Anti-cycling protection caused by low flows and system leakage.
- LED indicator lights to monitor pump operating status.
- Flexible installation position for simplified piping connections.
- Built in non-return valve.

Featuring all the usual Grundfos qualities of advanced design, operating simplicity and unmatched reliability Pressure Manager provides efficient pump control and when combined with a high performance Grundfos pump there is no better solution for domestic water supply.

HYDRAULIC PRESSURE LOSS



OPERATING CONDITIONS

Pumped Liquid: Thin, clean, non-aggressive, non-explosive liquid without solid fibres or particles

Power supply: 240V, 50Hz

Max. Load Current: 6A

Max. Motor Size: 1.2kW

Enclosure Class: IP65

Liquid Temperature Range: 0°C - +40°C

Pump Start Pressure: 1.5bar

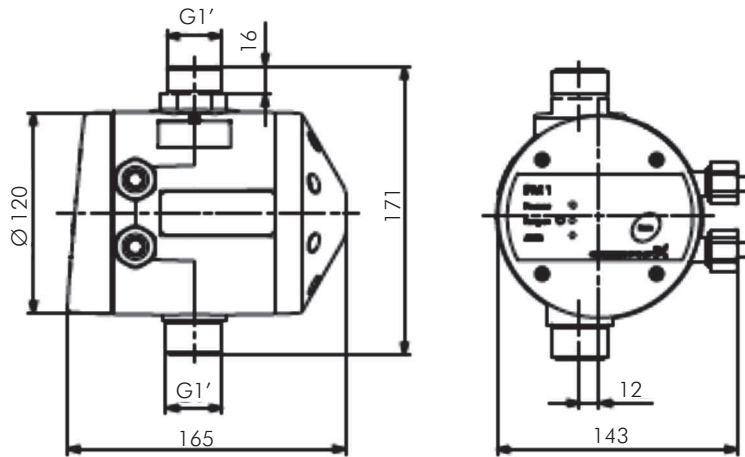
Pump Shut Off flow: 1 litre/min

Max. Operating Pressure: 10 bar

Time Delay Before Stopping: 10 seconds

D&S DAVIS & SHIRTLIFF

DIMENSIONS AND WEIGHT



Weight: 1 kg

© Davis & Shirliff 2014. Contents herein are not warranted. The right is reserved to amend specifications without notice. www.davisandshirliff.com

GR196A-01/11

KENYA

NAIROBI - HEAD OFFICE
TEL: (+254 20) 6968 000
headoffice@dayliff.com

NAIROBI - WESTLANDS
TEL: (+254 20) 44480116,
westlands@dayliff.com

NAIROBI - DOWNTOWN
TEL: (+254 20) 340102
downtown@dayliff.com

NAIROBI - KAREN
TEL: (+254 20) 3883513
karen@dayliff.com

THIKA
TEL: (+254 67) 20084/5
thika@dayliff.com

ELDORET
TEL: (+254 53) 2061306
eldoret@dayliff.com

NAKURU

TEL: (+254 51) 2213248
nakuroffice@dayliff.com

KISUMU

TEL: (+254 57) 2024763
ksumoffice@dayliff.com

KISII

TEL: (+254 58) 2030949
ksii@dayliff.com

NAIVASHA

TEL: (+254 50) 2030510
naivasha@dayliff.com

MACHAKOS

TEL: (+254 40) 2021668
naivasha@dayliff.com

MERU

TEL: (+254 64) 3131033
meru@eld.dayliff.com

GARISSA

TEL: (+254 46) 2102620
garissa@dayliff.com

KENYA COAST

MOMBASA - Main Office
TEL: (+254 20) 2040432
d&smbsa@dayliff.com

MALINDI

TEL: (+254 42) 2120425
mldoffice@dayliff.com

DIANI

TEL: (+254 40) 3202181
dianioffice@dayliff.com

LAMU

TEL: (+254 20) 2651052/56
lamu@dayliff.com

NYALI

TEL: (+254 20) 2443357
d&s@nyali.dayliff.com

VOI

TEL: (+254 20) 2028284
voi@dayliff.com

ETHIOPIA

ADDIS ABABA

TEL: (+251 11) 5159341/44
d&sethiopia@dayliff.com

RWANDA

KIGALI
TEL: (+250 252) 504039
rwoffice@dayliff.com

UGANDA

KAMPALA - Main Office

TEL: (+256 414) 346337/8
d&skampala@dayliff.com

KAMPALA - NAKESERO

TEL: (+256 392) 734633
d&snakesero@dayliff.com

GULU

TEL: (+256 471) 433041
d&sgulu@dayliff.com

MBARARA

TEL: (+256 753) 940 080
d&smbarara@dayliff.com

TANZANIA

DAR ES SALAAM - Main Office

TEL: (+255 22) 2112515/6
d&sdaressalaam@dayliff.com

DAR ES SALAAM - KARIAKOO

TEL: (+255 22) 2184867
d&skariakoo@dayliff.com

ARUSHA

TEL: (+255 27) 2547317/8
arusaha@dayliff.com

ZANZIBAR

TEL: (+255 24) 2234660/1
zanzibar@dayliff.com

MWANZA

TEL: (+255 28) 2541971/2
d&smwanza@dayliff.com

ZAMBIA

LUSAKA - Main Office

TEL: (+260 211) 288010/1
d&slusaka@dayliff.com

NDOLA

TEL: (+260 212) 610936/7
d&sndola@dayliff.com

KITWE

TEL: (+260 212) 221747/67
d&skitwe@dayliff.com

LIVINGSTONE

TEL: (+260 213) 320002/234
d&slivingstone@dayliff.com

SOUTH SUDAN

JUBA

TEL: (+211 956) 397 070
juba@dayliff.com