

GRUNDFOS®



DATA SHEET

Home
Booster Pumps

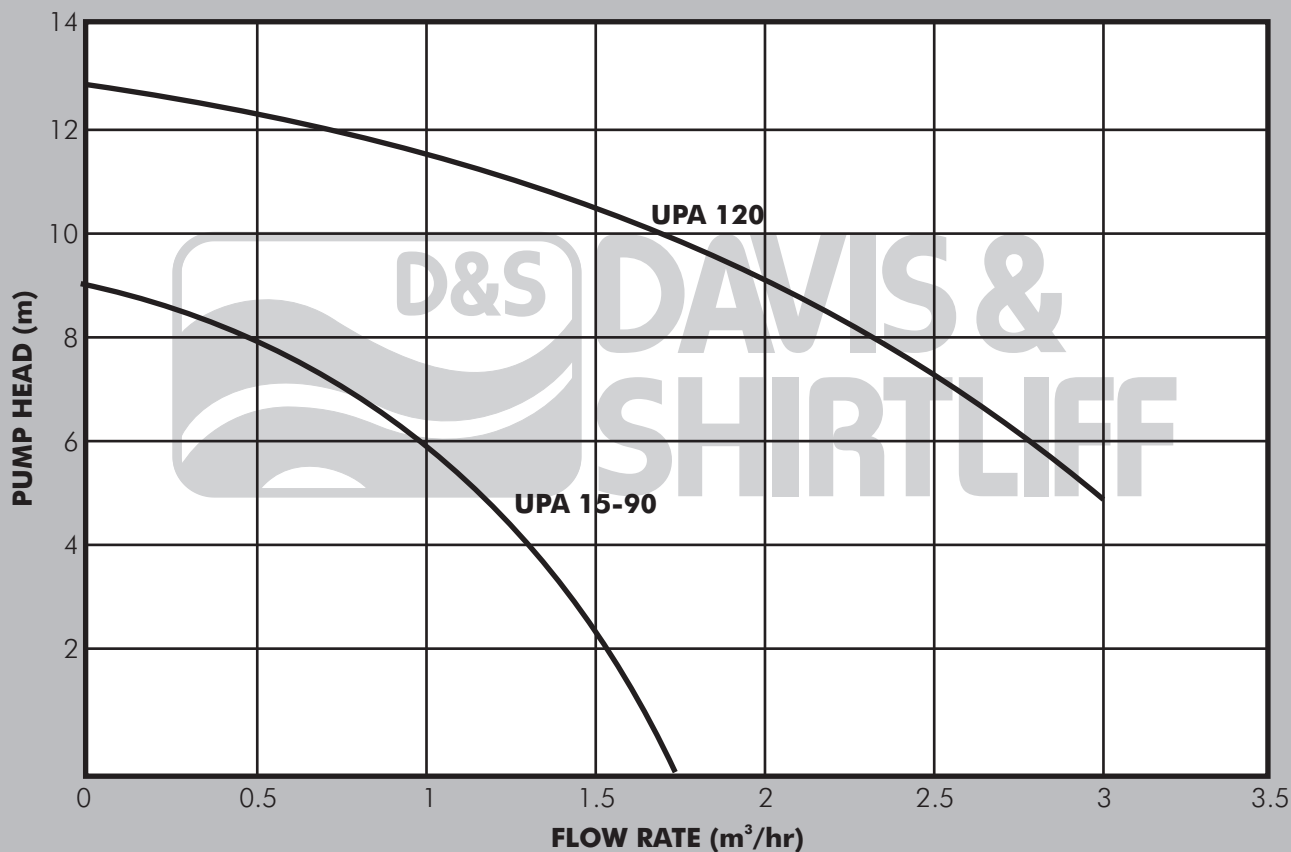
UPA



UPA 15-90



UPA 120



PUMP

The Grundfos UPA mini circulator pumps are designed for pressure boosting of domestic potable and hot water supplies with particular applications for showers, taps and water feeds to appliances. Pumps incorporate a flow switch for automatic on demand operation. They are for use in open systems and the option of manual or auto operation can be selected.

Pump construction is stainless steel encapsulated rotor, rotor can and bearing plate, polycarbonate impeller and cast iron pump housing. Pumps are supplied with a female threaded BSP union connection set.

MOTOR

The integral 2-pole asynchronous squirrel-cage motor includes a built-in thermal switch which monitors winding temperature and cuts off the power supply in the event of overload. No remote overload protection is required, though the pump must be connected to a suitably rated MCB or fuse.

Power Supply: 1x240V

Enclosure Class: IP42

Insulation Class: UPA15-90-H
UPA 120-F

OPERATING CONDITIONS

Pumped liquid: Thin, clean, chemically non-aggressive liquids without solids, fibres or mineral oils.

Fluid Temperature Range: +2°C to +70°C.

Max. Ambient Temperature: 40°C

Max. Operating Pressure: 6 Bar

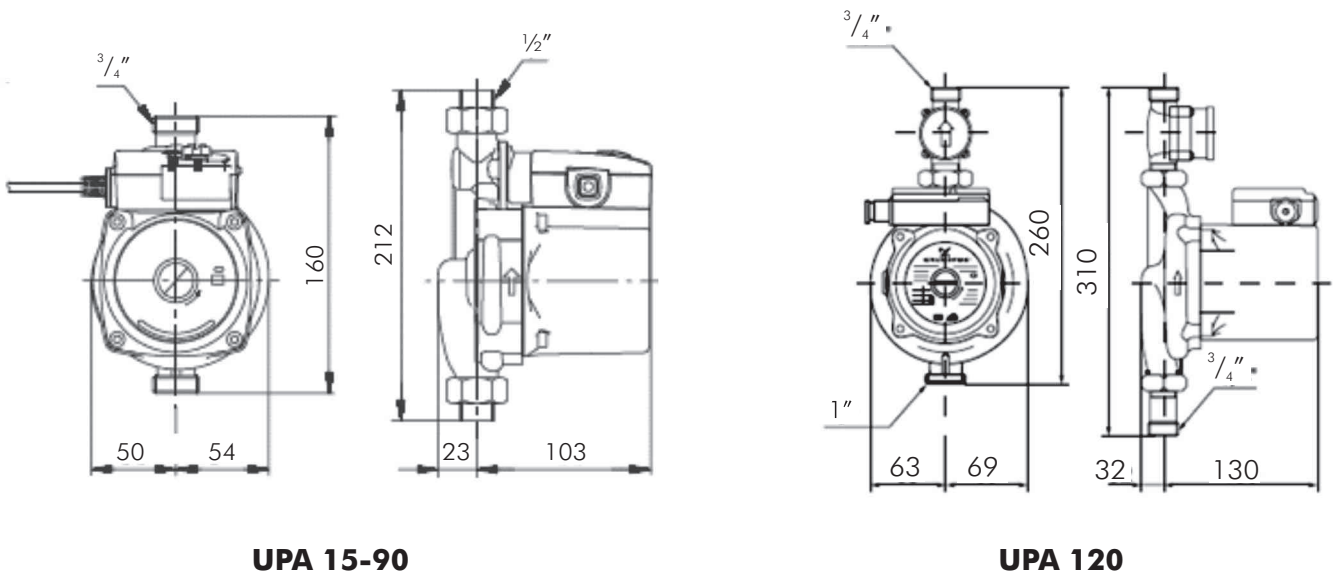
Min. Inlet Pressure: 0.2Bar

Max. Relative Humidity: 95%

Installation: Pumps must be installed with the pump shaft horizontal.

ELECTRICAL DATA

Model	Motor		Weight (kg)
	Power P ₁ (Watts)	Max. Current (A)	
UPA 15-90	120	0.48	2.5
UPA 120	250	1.14	5



UPA 15-90

UPA 120

© Davis & Shirtliff 2014. Contents herein are not warranted. The right is reserved to amend specifications without notice. www.davisandshirtliff.com

GR225A-03/12

KENYA
NAIROBI - HEAD OFFICE
 TEL: (+254 20) 6968 000
 headoffice@dayliff.com
NAIROBI - WESTLANDS
 TEL: (+254 20) 44480116,
 westlands@dayliff.com
NAIROBI - DOWNTOWN
 TEL: (+254 20) 340102
 downtown@dayliff.com
NAIROBI - KAREN
 TEL: (+254 20) 3883513
 karen@dayliff.com
THIKA
 TEL: (+254 67) 20084/5
 thika@dayliff.com
ELDORET
 TEL: (+254 53) 2061306
 eldoret@dayliff.com

NAKURU
 TEL: (+254 51) 2213248
 nakuru@dayliff.com
KISUMU
 TEL: (+254 57) 2024763
 ksmoffice@dayliff.com
KISII
 TEL: (+254 58) 2030949
 ksil@dayliff.com
NAIVASHA
 TEL: (+254 50) 2030510
 naivasha@dayliff.com
MACHAKOS
 TEL: (+254 40) 2021668
 machakos@dayliff.com
MERU
 TEL: (+254 64) 3131033
 meru@dayliff.com

GARISSA
 TEL: (+254 46) 2102620
 garissa@dayliff.com
KENYA COAST
MOMBASA - Main Office
 TEL: (+254 20) 2040432
 d&smasa@dayliff.com
MALINDI
 TEL: (+254 42) 2120425
 mldoffice@dayliff.com
DIANI
 TEL: (+254 40) 3202181
 dianioffice@dayliff.com
LAMU
 TEL: (+254 20) 265105256
 lamu@dayliff.com

NYALI
 TEL: (+254 20) 2443357
 d&nyali@dayliff.com
VOI
 TEL: (+254 20) 2028284
 voi@dayliff.com
ETHIOPIA
ADDIS ABABA
 TEL: (+251 11) 515934144
 d&sethiopia@dayliff.com
RWANDA
KIGALI
 TEL: (+250 252) 504039
 rwoffice@dayliff.com

UGANDA
KAMPALA - Main Office
 TEL: (+256 414) 3463378
 d&skampala@dayliff.com
KAMPALA - NAKESERO
 TEL: (+256 392) 734633
 d&snakesero@dayliff.com
GULU
 TEL: (+256 471) 433041
 d&sgulu@dayliff.com
MBARARA
 TEL: (+256 753) 940 080
 d&smbarara@dayliff.com

TANZANIA
DAR ES SALAAM - Main Office
 TEL: (+255 22) 21125156
 d&sdaressalaam@dayliff.com
DAR ES SALAAM - KARIAKOO
 TEL: (+255 392) 2184867
 d&skariakoo@dayliff.com
ARUSHA
 TEL: (+255 27) 25473178
 arusha@dayliff.com
ZANZIBAR
 TEL: (+255 24) 2234660/1
 zanzibar@dayliff.com
MWANZA
 TEL: (+255 28) 2541971/2
 d&smwanza@dayliff.com

ZAMBIA
LUSAKA - Main Office
 TEL: (+260 211) 288010/1
 d&slusaka@dayliff.com
NDOLA
 TEL: (+260 212) 610936/7
 d&sndola@dayliff.com
KITWE
 TEL: (+260 212) 221747/67
 d&skitwe@dayliff.com
LIVINGSTONE
 TEL: (+260 213) 320002/234
 d&slivingstone@dayliff.com
SOUTH SUDAN
JUBA
 TEL: (+211 956) 397 070
 juba@dayliff.com