

GRUNDFOS®

MADE IN DENMARK



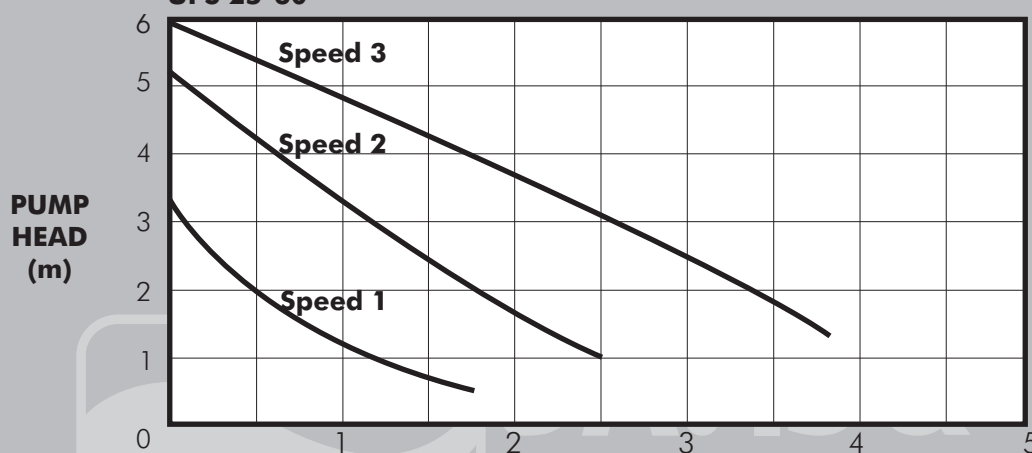
DATA SHEET

Circulator
Pumps

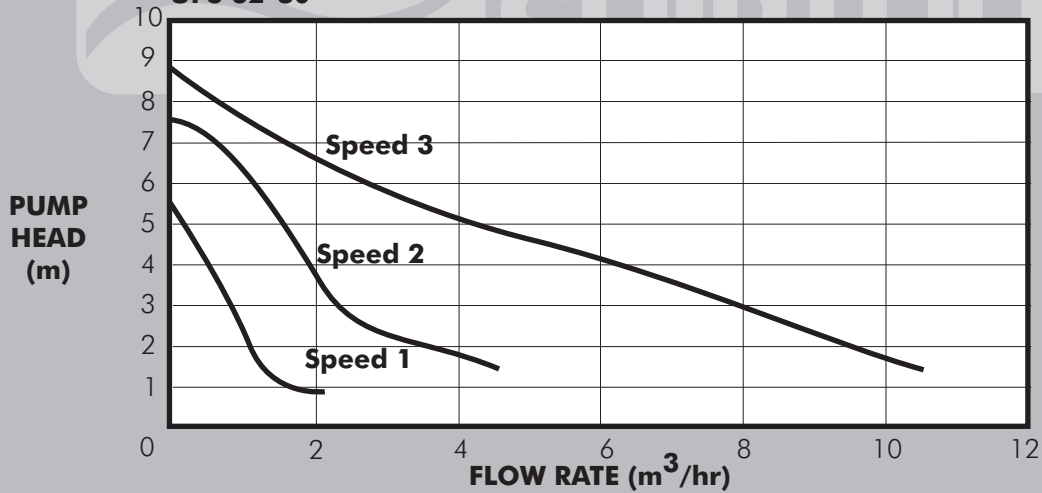
UPS 100 Series



UPS 25-60



UPS 32-80



PUMP

The Grundfos UPS circulator pumps are designed for water circulation in heating, hot water, cooling or air conditioning applications in open or closed systems. Two standard models are stocked, though alternative pump specifications are available for cold water and specific duty requirements. A particular feature of the pump design is that the motors have three speed settings so it is possible to select the ideal flow to meet the system requirements.

Pump construction is stainless steel rotor can and bearing plate, polycarbonate impeller and cast iron pump housing and all pumps are supplied complete with female threaded BSP union connections.

MOTOR

The integral 2-pole asynchronous squirrel-cage motor is designed to operate at three speeds. All motors include a built-in thermal switch which monitors winding temperature and cuts off the power supply in the event of an overload. No remote overload protection is required, though the pump must be connected to a suitably rated MCB or fuse.

Power Supply: 1 x 240 V

Enclosure Class: UPS 25 - IP44
UPS 32 - IP42

Insulation Class: UPS 25 - H
UPS 32 - F

OPERATING CONDITIONS

Pumped liquid: Thin, clean, chemically non-aggressive liquids without solids or fibres.

Fluid Temperature Range: -2°C to +110°C. Note the liquid temperature should be higher than the ambient temperature.

Max. Ambient Temperature: 80°C

Max. Operating Pressure: 10 Bar

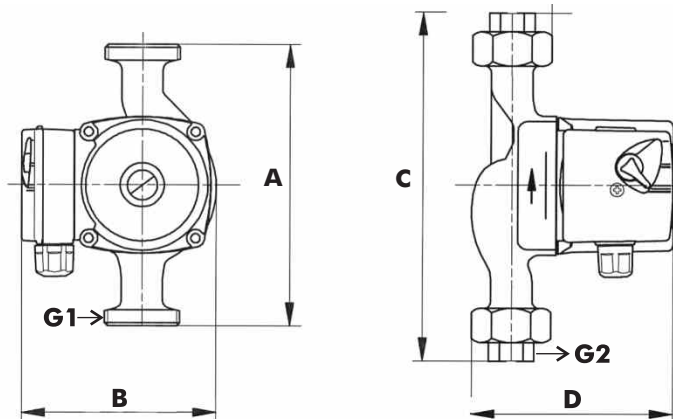
Installation: Pumps must be installed with the pump shaft horizontal

ELECTRICAL DATA

Model	Motor		Max. Speed (rpm)
	Power (Watts)	Max. Current (A)	
UPS 32-80	245	1.0	2450

DIMENSIONS AND WEIGHT

Model	Dimensions (mm)						Wt. (kgs)
	G1	G2	A	B	C	D	
UPS 32-80	2"	1 1/4"	180	142	244	169	4.8



© Davis & Shirtliff 2014. Contents herein are not warranted. The right is reserved to amend specifications without notice. www.davisandshirtliff.com

GR35F-04/07

KENYA
NAIROBI - HEAD OFFICE
 TEL: (+254 20) 6968 000
headoffice@dayliff.com
NAIROBI - WESTLANDS
 TEL: (+254 20) 44480116,
westlands@dayliff.com
NAIROBI - DOWNTOWN
 TEL: (+254 20) 340102
downtown@dayliff.com
NAIROBI - KAREN
 TEL: (+254 20) 3883513
karen@dayliff.com
THIKA
 TEL: (+254 67) 20084/5
thika@dayliff.com
ELDORET
 TEL: (+254 53) 2061306
eldoret@dayliff.com

NAKURU
 TEL: (+254 51) 2213248
nakuru@dayliff.com
KISUMU
 TEL: (+254 57) 2024763
kismoffice@dayliff.com
KISII
 TEL: (+254 58) 2030949
kisii@dayliff.com
NAIVASHA
 TEL: (+254 50) 2030510
naivasha@dayliff.com
MACHAKOS
 TEL: (+254 40) 2021668
naivasha@dayliff.com
MERU
 TEL: (+254 64) 3131033
meru@dayliff.com

GARISSA
 TEL: (+254 46) 2102620
garissa@dayliff.com
KENYA COAST
MOBASA - Main Office
 TEL: (+254 20) 2040432
dsmmsa@dayliff.com
MALINDI
 TEL: (+254 42) 2120425
mdoffice@dayliff.com
DIANI
 TEL: (+254 40) 3202181
dianioffice@dayliff.com
LAMU
 TEL: (+254 20) 265105256
lamu@dayliff.com

NYALI
 TEL: (+254 20) 2443357
d8s@nyali.dayliff.com
VOI
 TEL: (+254 20) 2028284
voi@dayliff.com
ETHIOPIA
ADDIS ABABA
 TEL: (+251 11) 515934144
d8sethiopia@dayliff.com
RWANDA
KIGALI
 TEL: (+250 252) 504039
rwoffice@dayliff.com

UGANDA
KAMPALA - Main Office
 TEL: (+256 414) 346337/8
d8skampala@dayliff.com
KAMPALA - NAKESERO
 TEL: (+256 392) 734633
d8snakesero@dayliff.com
GULU
 TEL: (+256 471) 433041
d8gulu@dayliff.com
MBARARA
 TEL: (+256 753) 940 080
d8smbarara@dayliff.com

TANZANIA
DAR ES SALAAM - Main Office
 TEL: (+255 22) 21125156
d8dsalasalaam@dayliff.com
DAR ES SALAAM - KARIAKOO
 TEL: (+255 22) 2184867
d8skariakoo@dayliff.com
ARUSHA
 TEL: (+255 27) 2547317/8
arusha@dayliff.com
ZANZIBAR
 TEL: (+255 24) 2234660/1
zanzibar@dayliff.com
MWANZA
 TEL: (+255 28) 2541971/2
d8smwanza@dayliff.com

ZAMBIA
LUSAKA - Main Office
 TEL: (+260 211) 288010/1
d8slusaka@dayliff.com
NDOLA
 TEL: (+260 212) 610936/7
d8sndola@dayliff.com
KITWE
 TEL: (+260 212) 221747/6/7
d8skitwe@dayliff.com
LIVINGSTONE
 TEL: (+260 213) 320002/234
d8slivingstone@dayliff.com
SOUTH SUDAN
JUBA
 TEL: (+211 956) 397 070
juba@dayliff.com