

# DAVEY

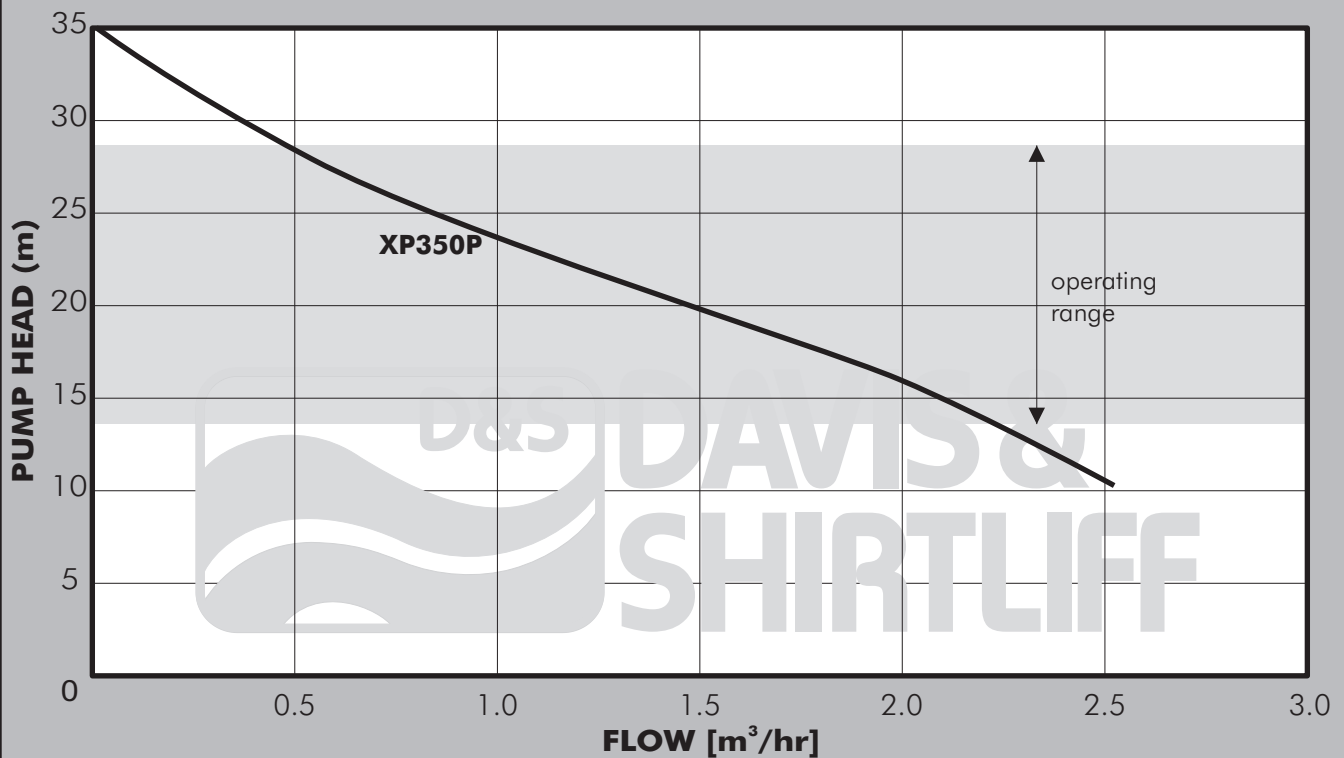
## DATA SHEET

Pressure  
Pumps

## XP350P



XP350P



## PUMP

DAVEY Pressure Pumps are economic automatic pumps designed for low volume booster and water supply applications. They are particularly suited for one to three outlets including showers and garden taps. All models are controlled by an attached pressure switch, the Aquamate including an integral pressure accumulator unit in the pump body and the XP350 an external steel tank incorporating a butyl diaphragm.

Pump construction is plastic throughout using polycarbonate for the impeller and glass filled Noryl for the casing.

## MOTOR

The pump includes an integral Davey asynchronous direct coupled PSC type motor specifically designed to match the pump output. The motor is provided with an in-built thermal overload for hot running protection and can be connected directly to a power outlet. Fuse or MCB protection must be provided.

**Enclosure Class:** IP55

**Voltage:** 1x240V

**Insulation Class:** F

**Speed:** 2900rpm

## OPERATING CONDITIONS

**Pumped liquid:** Clean, thin chemically non-aggressive liquids containing no solids or fibres.

**Max. Fluid Temperature:** +50°C

**Max. Ambient Temperature:** +50°C

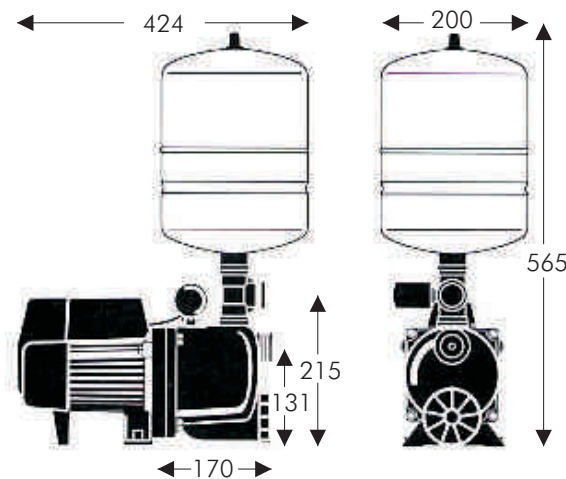
**Max. Suction Lift:** 6m (at sea level)

**Cut-in Pressure :** 1.4Bar (20psi)

**Cut-out Pressure:** 2.8 Bar (40psi)

## PUMP DATA

Pump	Motor		Inlet	Outlet	Weight (kg)
	Power (kW)	Current (A)			
XP350P	0.45	2.8	1" F	1" F	9



**XP350P**

All dimensions in mm

© Davis & Shirliff 2014. Contents herein are not warranted. The right is reserved to amend specifications without notice. [www.davisandshirliff.com](http://www.davisandshirliff.com)

**DV62F-09/12**

### KENYA

**NAIROBI - HEAD OFFICE**  
TEL: (+254 20) 6968 000  
headoffice@dayliff.com

**NAIROBI - WESTLANDS**  
TEL: (+254 20) 44480116,  
westlands@dayliff.com

**NAIROBI - DOWNTOWN**  
TEL: (+254 20) 340102  
downtown@dayliff.com

**NAIROBI - KAREN**  
TEL: (+254 20) 3883513  
karen@dayliff.com

**THIKA**  
TEL: (+254 67) 20084/5  
thika@dayliff.com

**ELDORET**  
TEL: (+254 53) 2061306  
eldoret@dayliff.com

### NAKURU

TEL: (+254 51) 2213248  
nakuroffice@dayliff.com

### KISUMU

TEL: (+254 57) 2024763  
ksmoffice@dayliff.com

### KISII

TEL: (+254 58) 2030949  
ksii@dayliff.com

### NAIVASHA

TEL: (+254 50) 2030510  
naivasha@dayliff.com

### MACHAKOS

TEL: (+254 40) 2021668  
naivasha@dayliff.com

### MERU

TEL: (+254 64) 3131033  
meru@dayliff.com

### GARISSA

TEL: (+254 46) 2102620  
garissa@dayliff.com

### KENYA COAST

**MOMBASA - Main Office**

TEL: (+254 20) 2040432  
d&smasa@dayliff.com

### MALINDI

TEL: (+254 42) 2120425  
mdoffice@dayliff.com

### DIANI

TEL: (+254 40) 3202181  
dianooffice@dayliff.com

### LAMU

TEL: (+254 20) 265105256  
lamu@dayliff.com

### NYALI

TEL: (+254 20) 2443357  
d&snlyali@dayliff.com

### VOI

TEL: (+254 20) 2028284  
voi@dayliff.com

### ETHIOPIA

#### ADDIS ABABA

TEL: (+251 11) 5159341/44  
d&sethiopia@dayliff.com

### RWANDA

#### KIGALI

TEL: (+250 252) 504039  
rwoffice@dayliff.com

### UGANDA

#### KAMPALA - Main Office

TEL: (+256 414) 346337/8  
d&skampala@dayliff.com

#### KAMPALA - NAKESERO

TEL: (+256 392) 734633  
d&snakesero@dayliff.com

### GULU

TEL: (+256 471) 433041  
d&sgulu@dayliff.com

### MBARARA

TEL: (+256 753) 940 080  
d&smbarara@dayliff.com

### TANZANIA

#### DAR ES SALAAM - Main Office

TEL: (+255 22) 2112515/6  
d&sdarressalaam@dayliff.com

#### DAR ES SALAAM - KARIAKOO

TEL: (+255 22) 2184867  
d&skariakoo@dayliff.com

### ARUSHA

TEL: (+255 27) 2547317/8  
arusha@dayliff.com

### ZANZIBAR

TEL: (+255 24) 2234660/1  
zanzibar@dayliff.com

### MWANZA

TEL: (+255 28) 2541971/2  
d&smwanza@dayliff.com

### ZAMBIA

#### LUSAKA - Main Office

TEL: (+260 211) 288010/1  
d&slusaka@dayliff.com

### NDOLA

TEL: (+260 212) 610936/7  
d&sndola@dayliff.com

### KITWE

TEL: (+260 212) 221747/6/7  
d&skitwe@dayliff.com

### LIVINGSTONE

TEL: (+260 213) 320002/234  
d&slivingstone@dayliff.com

### SOUTH SUDAN

#### JUBA

TEL: (+211 956) 397 070  
juba@dayliff.com